



This manual contains important safety information and must be made available to personnel who operate and maintain this machine.

RETAIN THIS MANUAL WITH UNIT.

This Technical manual contains **IMPORTANT SAFETY DATA** and should be kept with the air compressor at all times.

C.C.N. : 17314733

REV. : 0

DATE : JANUARY 2008

Table of Contents

Parts List.....	03
Product Drawings.....	38



IS2 180
215/215H
240/240H

PARTS LIST

FIGURE 2 (SHEET 1) FRAME & GEAR

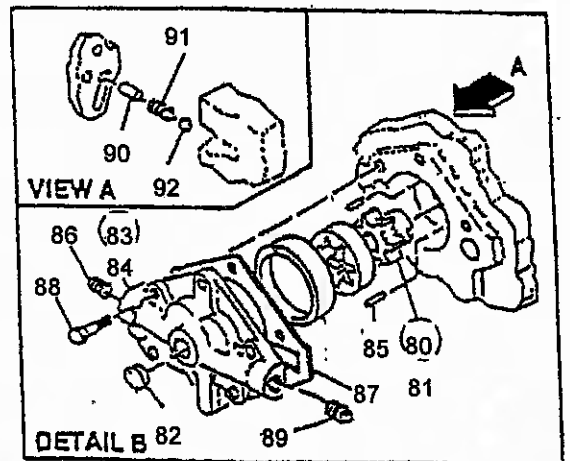
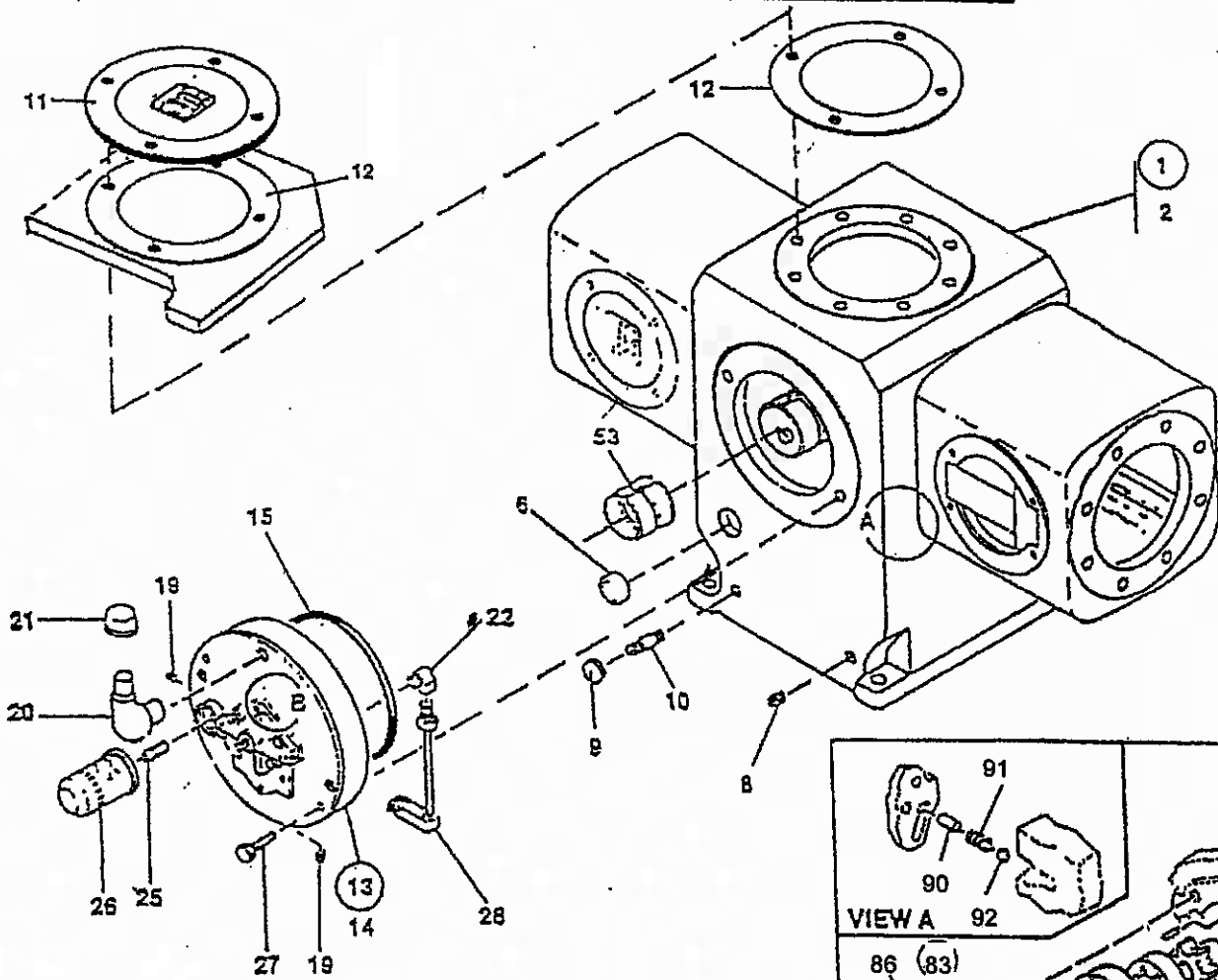
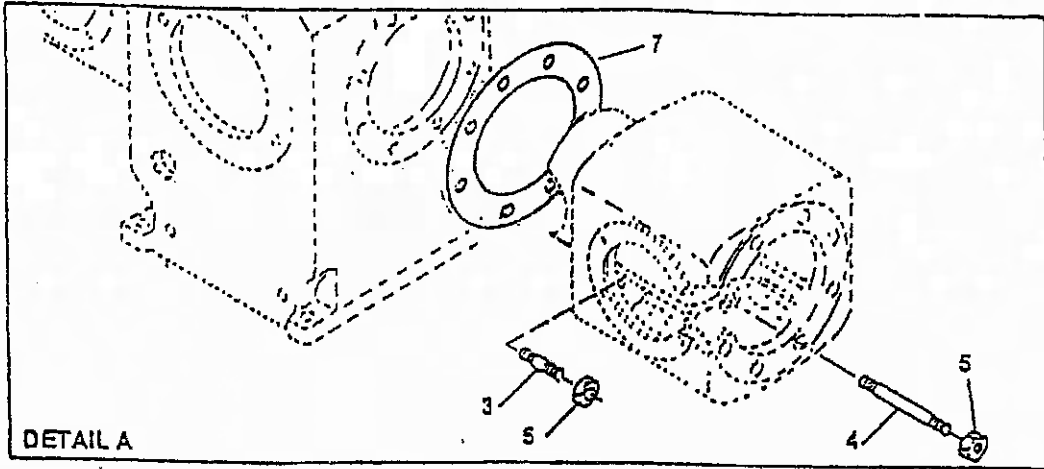
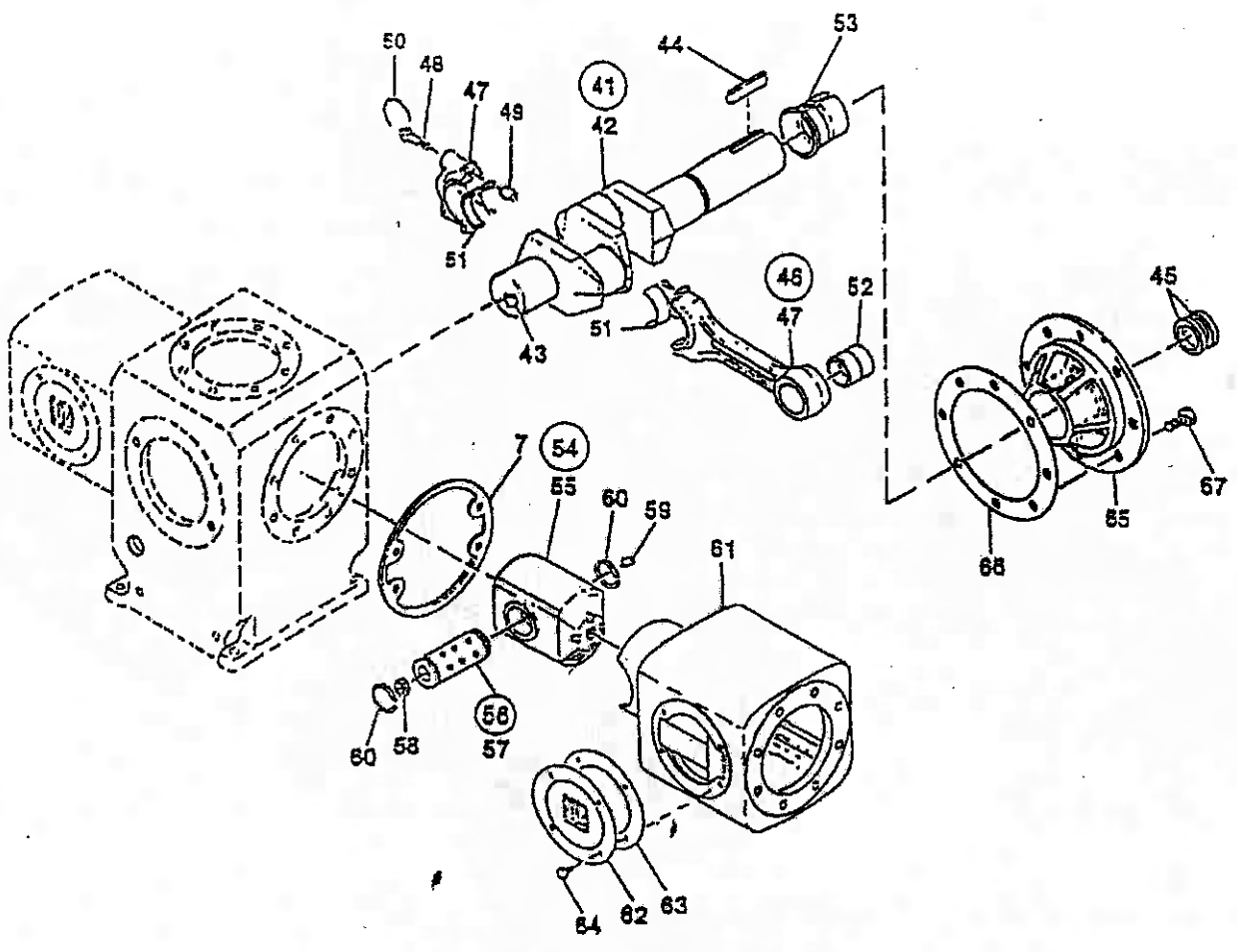


FIGURE 2 (SHEET 2)
FRAME & GEAR





Ref	Item	Description	Qty	UM	Rev	Drawing	ILL#
0000	17291014	ARRANGEMENT GENERAL COMP IS2 180	0	EA	00		
0000	17292129	DIAGRAM PIPING & INSTR. COMP IS2 180	0	EA	00		
0010	17288788A	COMP IS2 180 ASSEMBLY	1	EA	00		
0010	17294422	. COMP 16 & 10 x 7 PHE7 NL BARE	1	EA	00		
0010	400875121	. . . FRAME & RUNNING GEAR IHE-7 NL	1	EA	01		
0010	70315353P FRAME COMPLETE IHE	1	EA	00	FIG.2	
0010	39781521 FRAME PHE-7 STANDARD	1	EA	N3		1
0011	95018024 O-RING 1 X 1-1/4 X 1/8	2	EA	0		
0020	95593653 STUD 3/4IN X 3-1/2IN	8	EA	0		3
0030	95077822 NUT HEX 3/4 UNC ESV	8	EA	0		5
0040	39583869 GASKET FRAME PHE-7	2	EA	01		7
0050	39137245 GLASS OIL LEVEL	1	EA	01		6
0060	39464615 COVER DISTANCE PIECE	1	EA	03		11
0070	39535216 GASKET COVER DISTANCE PIECE	1	EA	03		12
0080	95745766 STUD 3/4IN X 9-5/8 L	8	EA	0		4
0090	95077822 NUT HEX 3/4 UNC ESV	8	EA	0		5
0110	95104592 SCREW CAP HEX HEAD 3/4 X 1	4	EA	0		
0120	42117838 ASSEMBLY DRAIN 5" & 7" STROKE ESV	1	EA	00	FIG.2	
0010	95097424 NIPPLE PIPE 1/2IN X 4IN	1	EA	0		10
0020	97070213 CAP PIPE SCREWED 1/2 IHE	1	EA	02		9
0160	95002143 PLUG PIPE SQ.HD.3/4"NPT CS BLACK	2	EA	0		8
0170	95033569 PLUG 1-1/4 NPT SQ.HEAD	1	EA	0		
0020	70427059 ASSEMBLY HOUSING MAIN BEARING FOR IHE	1	EA	00	FIG.2	
0010	42168690 HOUSING MB WITH BUSH	1	EA	32		14
0020	95101705 PLUG COUNTER SHUNK 3/8IN NPT	2	EA	0		19
0040	39516646 PLATE ROTATION 5IN ESV S.S.	1	EA	02		
0050	39175070 SCREW MACHINE 0.114" X 0.25"	2	EA	01		
0060	95104709 SCREW CAP HEX HEAD 3/4 X 4	2	EA	0		27
0070	95018370 O-RING 14 X 14-1/2 X 1/4	1	EA	0		15
0080	94425162 ELBOW MAIN BEARING HOUSING-0.50 NPT	1	EA	02		22
0120	30472161 FILTER OIL	1	EA	01		26
0130	30179220 ADAPTER OIL FILTER	1	EA	01		25
0140	30557888 CAP BREATHER	1	EA	01		21
0145	39314323 BREATHER ELBOW CAST AL.	1	EA	02		20
0150	30557565 BUSH MBH 7ESV	1	EA	01		53
0030	70427000 ASSEMBLY PIPE OIL SUCTION FOR IHE	1	EA	00	FIG.2	
0010	94414612 PIPE WITH SCREEN FOR OIL SUCTION	1	EA	N1		
0020	97076277 NUT CONNECTOR	1	EA	01		
0040	70427018 ASSEMBLY OIL PUMP COVER FOR IHE	1	EA	00	FIG.2	
0010	39863683 COVER LUBRICATOR OIL PUMP WITH BUSH	1	EA	02		84
0020	95098653 PIN ROLL 5/16 X 1	1	EA	N7		90
0030	95033619 PLUG PIPE SQ.HD 1/2 NPT CS BLACK	1	EA	0		86
0050	30205280 GASKET COVER OIL PUMP	1	EA	01		87
0060	95104006IM SCREW CAP HEX HEAD 7/16 X 1 INCH	5	EA	0		
0090	95101705 PLUG COUNTER SHUNK 3/8IN NPT	1	EA	0		
0100	95033825 PIN DOWEL -OIL PUMP-1/4DX1L	1	EA	0		85
0110	30508741IM SPRING VALVE RELIEF	1	EA	01		91
0120	95320446 BALL RELIEF VALVE, 1/2 INCH, E52100	1	EA	0		92
0050	70427026 ASSEMBLY OIL PUMP NL FOR IHE	1	EA	00		
0010	30427140 ASSEMBLY OIL PUMP ESV	1	EA	00	FIG.2	
0020	37141041 SHAFT DRIVE OIL PUMP	1	EA	02		81
0003	37141058 RING LOCATING - OIL PUMP	1	E	02		81

ACCESSORIES OIL PRESSURE

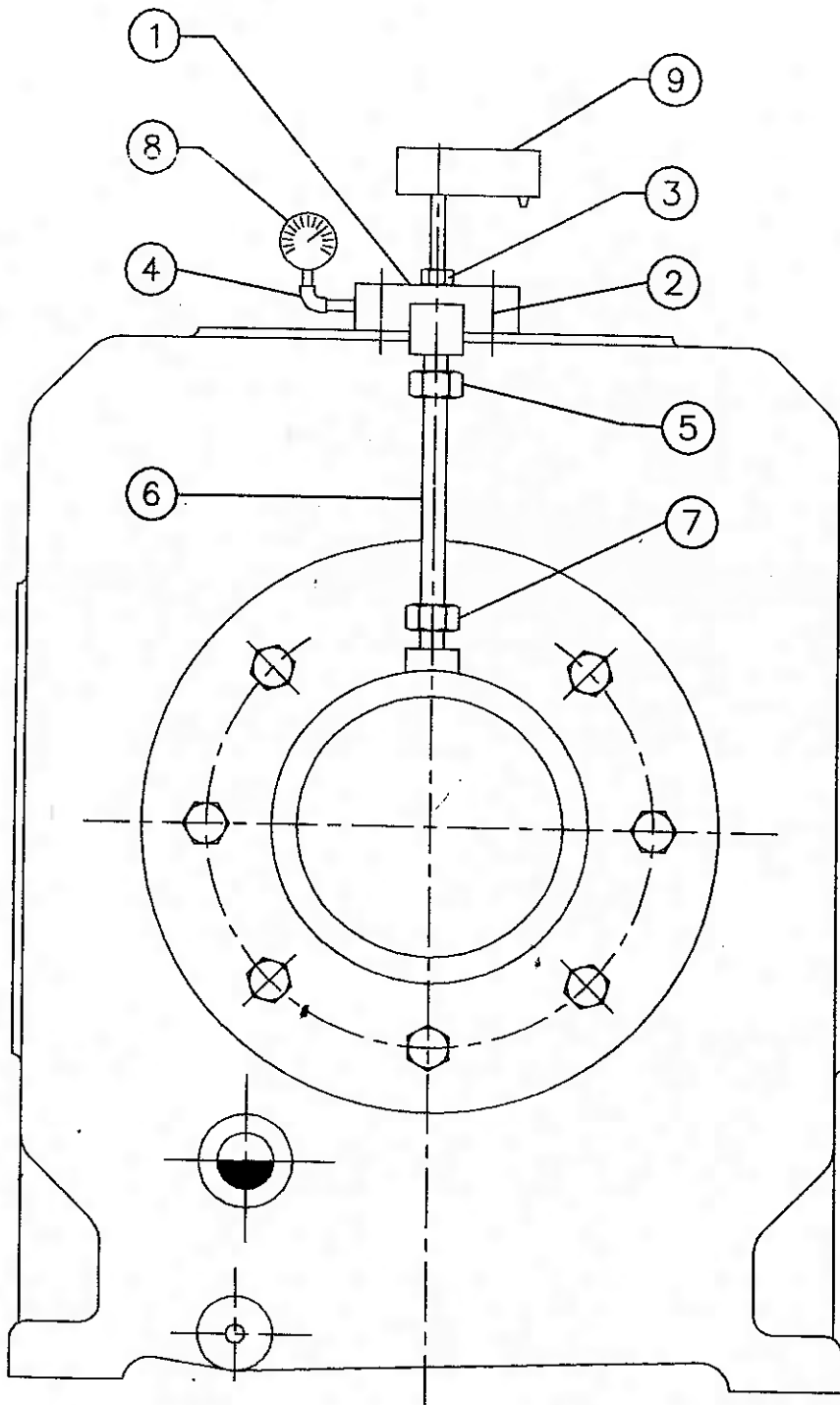
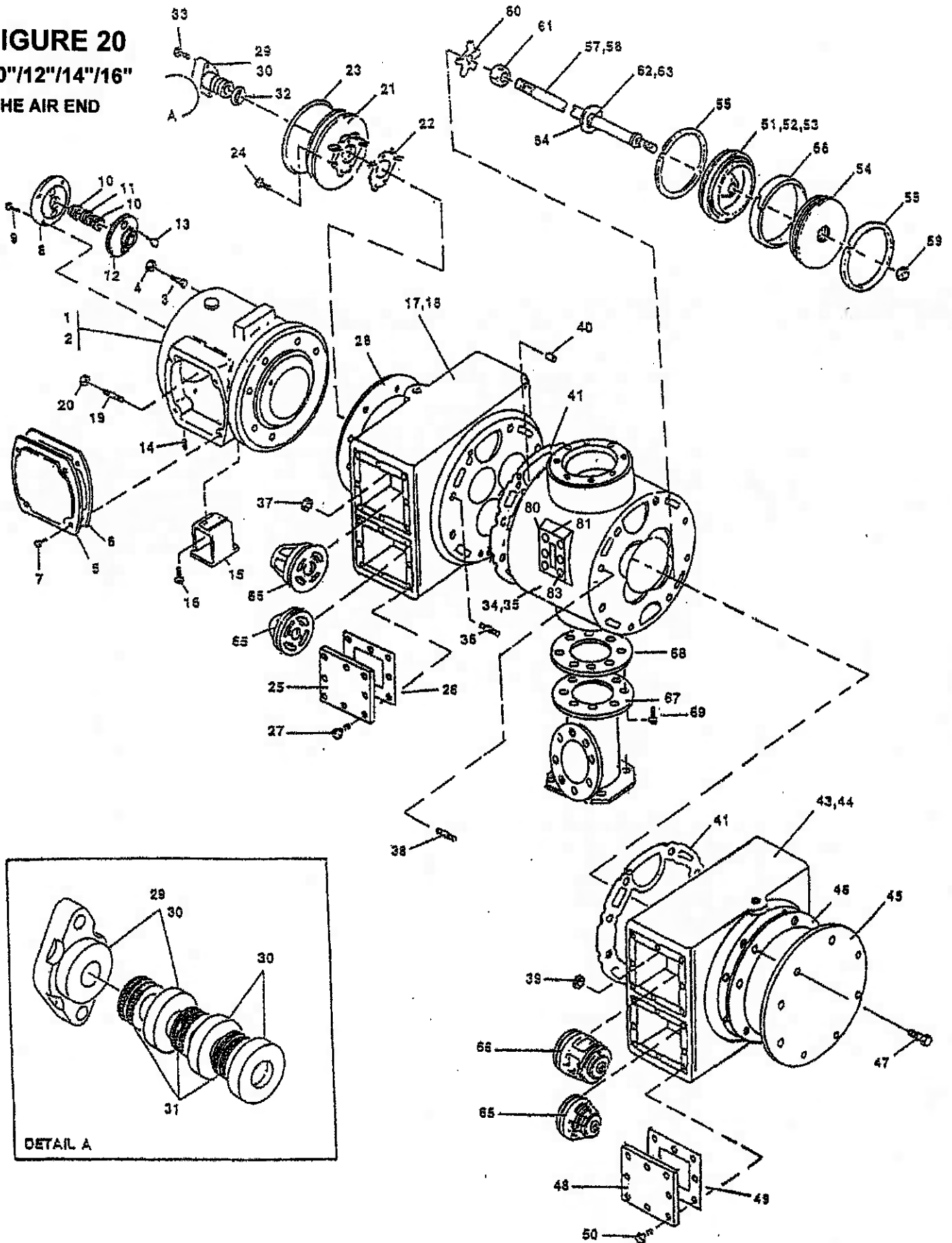


FIG.-3

FIGURE 20
10"/12"/14"/16"
IHE AIR END



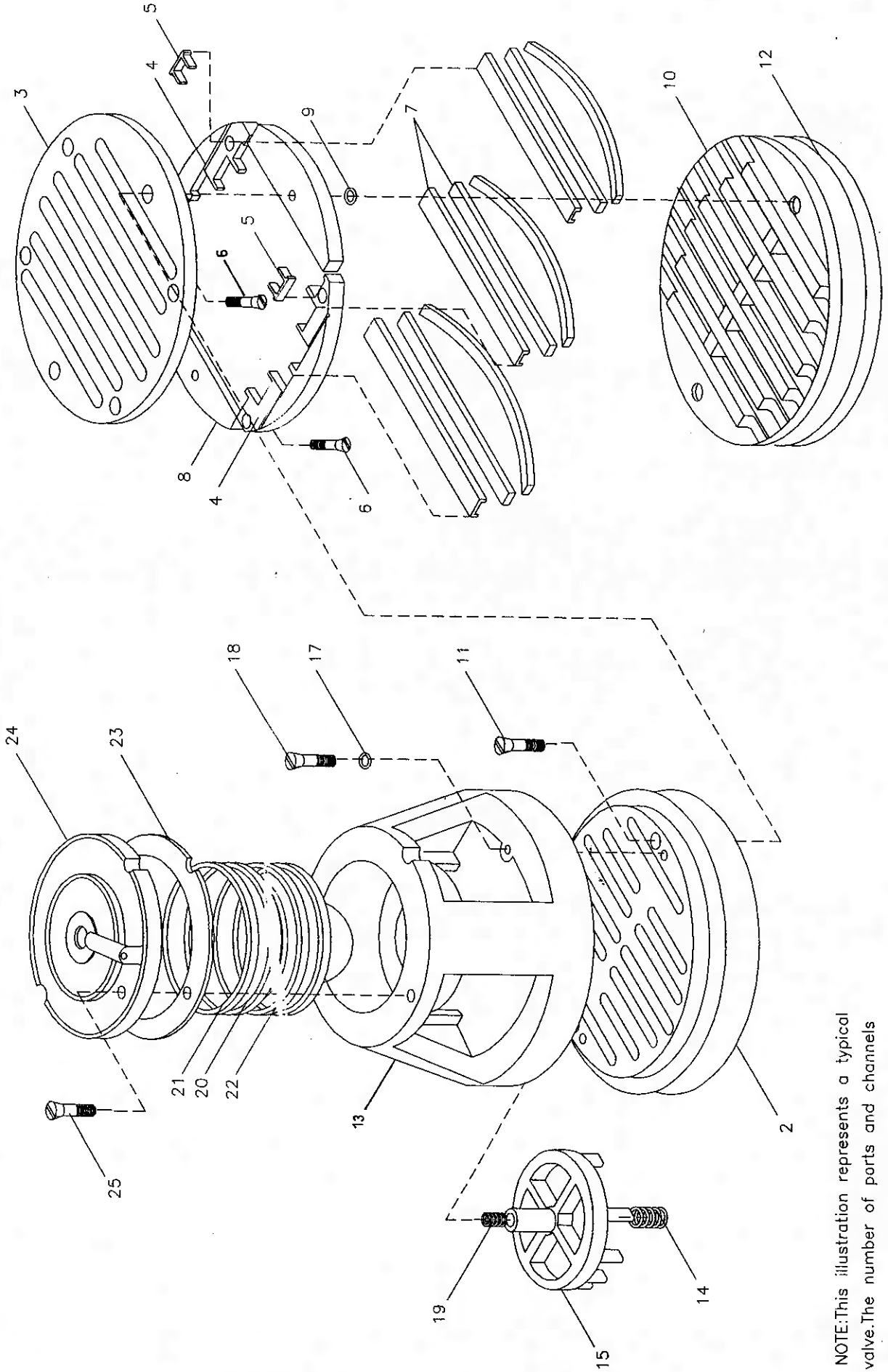


Ref	Item	Description	Qty	UM	Rev	Drawing	ILL#
0040	97059414	ROTOR INNER GEAR IDLER 5 & 7 ESV	1	EA	00		81
0050	97059422	ROTOR OUTER GEAR DRIVE 5 & 7 ESV	1	EA	00		81
0020	30253892	COVER SHAFT	1	EA	01		
0060	39642731	ASSEMBLY CRANKSHAFT IHE WITH KEY	1	EA	00	FIG.2	
0010	39781364	CRANKSHAFT 7 INCH IHE/PHE	1	EA	04		42
0020	70408240	PIN DOWEL CRANKSHAFT	1	EA	01		43
0030	95545679	KEY CRNKSHFT 7/8INCH X 4.5INCH	1	EA	N4		44
0070	70427034	ASSEMBLY ROD CONNECTING FOR IHE	2	EA	00	FIG.2	
0005	42156448	ROD CONNECTING 7 WITH CAPBUSH & BOLT	1	EA	00		47
0010	30557532	BUSHING CONNECTING ROD	1	EA	01		51
0015	30557540	BUSHING CRANKPIN 7ESV	1	EA	01		52
0020	37605177	WIRE LOCKING ESV	1.5	FT	00		50
0080	70427042	ASSEMBLY CROSSHEAD 7" IHE	2	EA	00	FIG.2	
0010	30576136IM	RING RETAINER	2	EA	00		60
0015	30559736	CROSSHEAD 7" STROKE	1	EA	03		55
0020	37087707	ASSEMBLY PIN CROSS HEAD	1	EA	00	FIG.2	56
0010	90732538	PIN CROSS HEAD	1	EA	03		57
0020	30206940	PLUG CROSS HEAD PIN	1	EA	02		58
0030	95250932	PLUG 1/4	1	EA	0		59
0090	70315361	ASSEMBLY HOUSING M.B. DRIVE END	1	EA	00	FIG.2	
0010	39535489	HOUSING M.B. DRIVE END IHE	1	EA	03		13
0020	95104642	SCREW CAP HEX HEAD 3/4 X 1-3/4	8	EA	0		27
0030	39535224	GASKET BRG HSG DRIVE SIDE	1	EA	02		68
0040	30557565	BUSH MBH 7ESV	1	EA	01		53
0050	37794377	SEAL OIL CRANK SHAFT	2	EA	01		45
0100	70421912	ASSEMBLY DISTANCE PIECE & GUIDE IHE	2	EA	00	FIG.2	
0010	39781430	DISTANCE PIECE & GUIDE	1	EA	06		61
0025	39464615	COVER DISTANCE PIECE	1	EA	03		62
0030	39535216	GASKET COVER DISTANCE PIECE	2	EA	03		63
0030	70421557	COVER DISTANCE PIECE WITH GUIDE	1	EA	00		
0040	95104592	SCREW CAP HEX HEAD 3/4 X 1	8	EA	0		64
0050	95033593	PLUG PIPE SQ.HD. 1/4 NPT	1	EA	0		
0020	70327192	ACCESSORIES FRAME, IHE	1	EA	00	FIG.3	
0010	97058226	BLOCK MOUNTING 2X2	1	EA	01		1
0015	95037131	WASHER SPRING 3/16	2	EA	0		
0020	95111043	SCREW M/C NO.10-24X1	2	EA	0		2
0030	94465895	NIPPLE HEX 1/4 BSP X 1/4 BSP	1	EA	00		3
0051	70219795	ELBOW MALE 1/4T X 1/4 NPT	1	EA	00		4
0060	70230487	CONNECTOR MALE 1/4T X 1/4 NPT	2	EA	00		5
0080	94468261	TUBE 1/4 X 0.035 SS SEAMLESS	1	FT	03		6
0100	97071229	SWITCH PRESSURE 1/4" BSP (F)	1	EA	00		7
0030	70272026	ASSEMBLY PACKING SET METALLIC	1	EA	00	FIG.20	
0010	97071294	FLANGE PACKING CASE	1	EA	N1		29
0020	97071302	CUP PACKING CASE	2	EA	N1		30
0030	97071310	CUP PACKING CASE END	1	EA	N1		30
0040	95062469	RING PACKING	3	EA	0		31
0050	39312962	GASKET PACKING CASE	1	EA	03		32
0060	95104469	SCREW CAP HEX HEAD 5/8 X 3	2	EA	0		33
0040	70272042	ASSEMBLY DISTANCE PIECE	1	EA	00	FIG.20	
0010	97075634	DISTANCE PIECE	1	EA	N3		1
0020	39878046	COVER DISTANCE PIECE IHE/PHE	1	EA	01		5
0030	30562664	GASKET COVER DISTANCE PIECE	1	EA	02		6

3a

INLET VALVE

NL



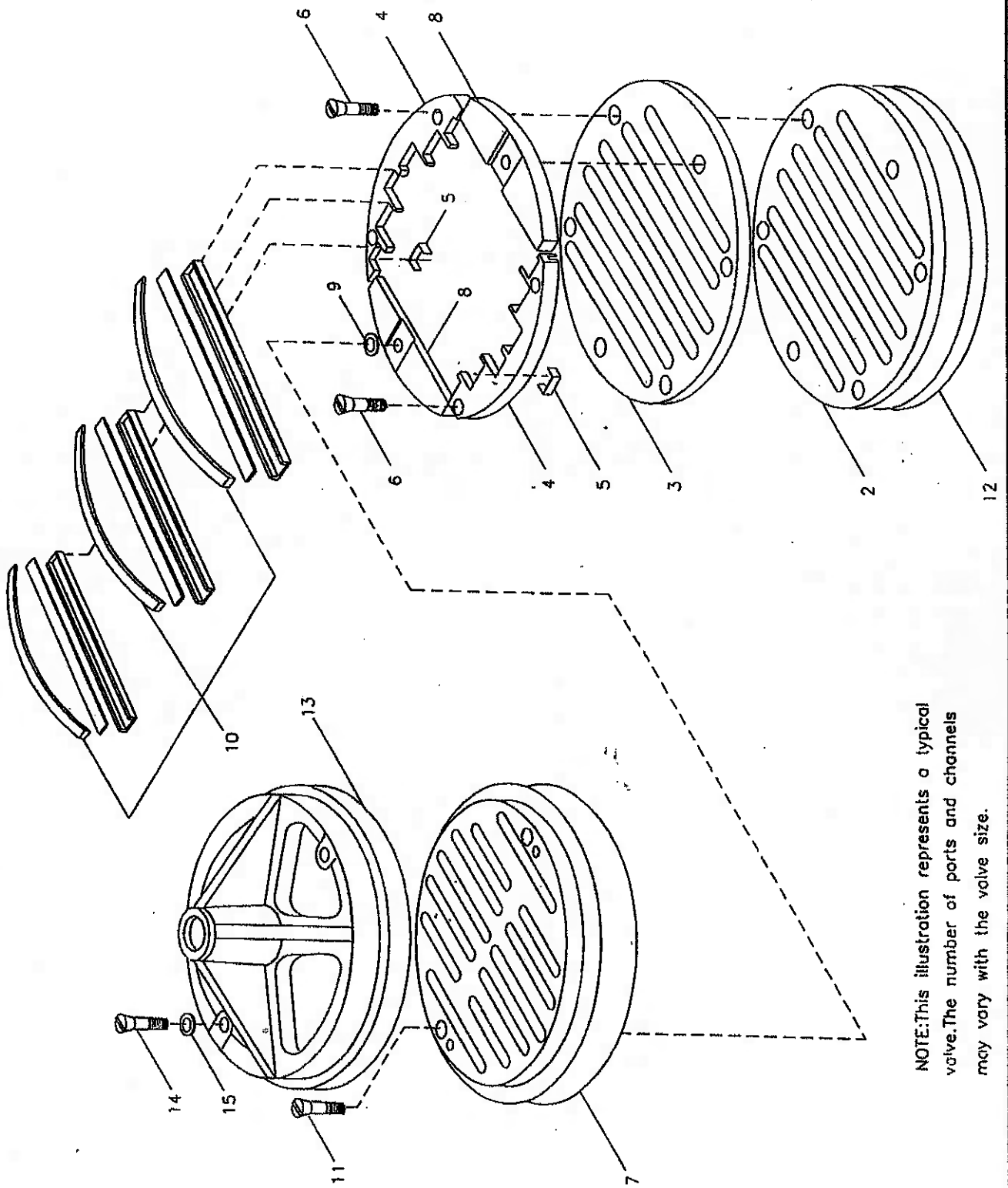
NOTE: This illustration represents a typical valve. The number of ports and channels may vary with the valve size.



Ref	Item	Description	Qty	UM	Rev	Drawing	ILL#
0040	95104147	SCREW CAP HEX 1/2INX 1IN	8	EA	0	FIG.20	7
0050	70405832	PLATE PARTITION PHE	1	EA	01		8
0060	95104188	SCREW CAP HEX HEAD 1/2 X 1-3/4 LG , GR = 5	4	EA	0		9
0070	30477632	GLAND 7 STK ESH OIL SCRAPER	1	EA	03		12
0080	95103792	SCREW CAP HEX HEAD 3/8 X 1.5 " LG GRADE 5	2	EA	0		13
0090	54491378IM	RING SCRAPPER-1.5 INCH ROD	2	EA	01		10
0010	54491386IM	RING SCRAPPER-1.5 INCH ROD	1	E	01		11
0110	95101044	PLUG PIPE SQ.HD.1 NPT	2	EA	0		
0120	95104659	SCREW CAP HEX HEAD 3/4 X 2-3/4	8	EA	0		
0130	95077822	NUT HEX 3/4 UNC ESV	8	EA	0		
0140	97073118	FOOTPIECE IHE	1	EA	01		
0150	95104436	SCREW CAP HEX HEAD 5/8 X 1-1/2	2	EA	0		
0050	97057996	ASSEMBLY HEAD FRAME 16" IHE	1	EA	00	FIG.20	
0010	70414446	HEAD FRAME.WITH STUFFING BOX 16X7 IHE	1	EA	01		18
0060	97057830	COVER VALVE BARE IHE	4	EA	02		25
0070	70209671	GASKET COVER VALVE 16IN IHE	4	EA	01		26
0080	95053047	SCREW CAP HEX HEAD 1/2 X 1-1/4 HT	32	EA	0		27
0090	95737417	STUD 3/4 X 3-1/4	8	EA	0		
0100	40514507	GASKET FRAME HEAD	1	EA	02		28
0120	95077822	NUT HEX 3/4 UNC ESV	8	EA	0		
0060	70263454	ASSEMBLY CYLINDER LP 16 X 7 IHE.	1	EA	00	FIG.20	
0010	70411921	CYLINDER 16 IHE NEW	1	EA	03		35
0014	39535661	COVER WATER CYLINDER	2	EA	03		
0015	39535638	GASKET WATER COVER PHE-7	2	EA	03		
0016	95104147	SCREW CAP HEX 1/2INX 1IN	12	EA	0		
0030	40036519	NAMEPLATE	1	EA	05		
0040	39175070	SCREW MACHINE 0.114" X 0.25"	4	EA	01		
0050	95033593	PLUG PIPE SQ.HD. 1/4 NPT	2	EA	0		
0060	95594487	STUD 1 X 4	12	EA	0		36
0070	95077749	NUT HEX 1IN	12	EA	0		37
0080	70203815	FOOTPIECE CYLINDER 8 FLANGE	1	EA	01		
0090	70212303	GASKET FLANGE 8 X 150#	1	EA	00		
0100	95035440	BOLT HEX HEAD 3/4IN X 2IN	8	EA	0		69
0110	30253843	PLATE SOLE HSE	1	EA	01		
0120	95104642	SCREW CAP HEX HEAD 3/4 X 1-3/4	4	EA	0		
0130	30199095	SPACER FOOT PIECE	1	EA	01		
0140	95098687	PIN ROLL 3/8 X 1	2	EA	N7		40
0150	97100762	FLANGE CLOSURE 8IN X 150#	1	EA	01		
0160	97100762	FLANGE CLOSURE 8IN X 150#	2	EA	01		
0170	94426210	VALVE DRAIN 1/4 NPT	1	EA	02		
0180	37155413	PLUG 7/8-14 NF THD	2	EA	01		
0190	95594487	STUD 1 X 4	12	EA	0		38
0200	95077749	NUT HEX 1IN	12	EA	0		39
0210	70412705	GASKET CYLINDER 16	2	EA	01		41
0070	70204359	ASSEMBLY VALVE INLET & FAU A67	4	EA	00	FIG.3A	
0010	37035953	VALVE INLET A67 IHE [LIST-43870]	1	EA	00		
0010	33822651	SEAT VALVE INLET A67	1	EA	02		2
0020	17278458	PLATE SEAT A67	1	EA	00		3
0030	37039153IM	HOLDER GUIDE IHE-NL	2	EA	B		4
0040	37039179IM	GUIDE VALVE	18	EA	01		5
0050	37039161	SCREW HOLDER GUIDE	4	EA	00		6
0060	30249320	STOP PLATE(IN/DIS) INLET VALVE IHE	1	EA	01		10

4b

DISCHARGE VALVE



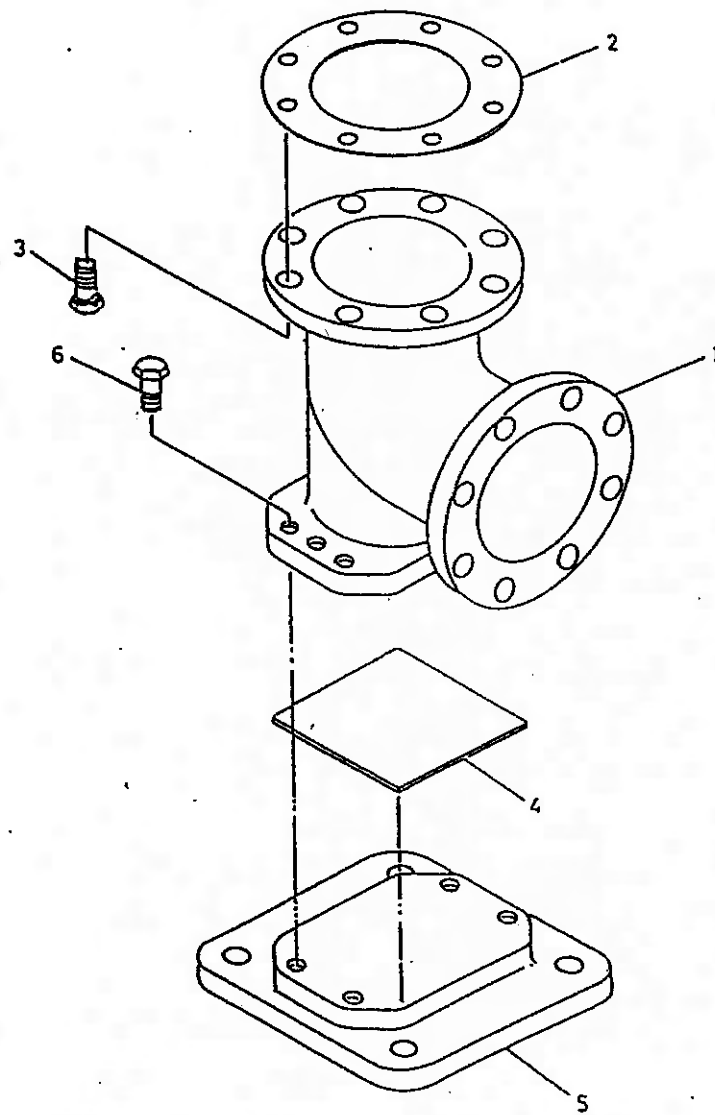
NOTE: This illustration represents a typical valve. The number of ports and channels may vary with the valve size.



Ref	Item	Description	Qty	UM	Rev	Drawing	ILL#
0070	37024114 BALANCER FLOW WITH WASHER	2	EA	00		8
0080	37082518 WASHER	2	EA	00		9
0090	17288036 CHANNEL & SPRING SET	1	ST	00		7
0100	95110680 SCREW SS M/C	2	EA	0		11
0020	97073977 SCREW SET 1 X 1-5/8	1	EA	N2		
0030	95117065 NUT JAM	1	EA	0		
0040	97073860 NUT SET SCREW	1	EA	01		
0050	31208127 GASKET VALVE SEAT A67	1	EA	00		3A12
0060	70204466 ASSEMBLY UNLOADER FREE AIR A67	1	EA	00		
0010	97057806 CAGE UNLOADER IHE-10	1	EA	02		13
0020	95111167 SCREW 1/4IN X 1.5IN UNC/UNRC-2A	2	EA	0		18
0030	95081873 WASHER LOCK 1/4	2	EA	0		17
0040	97057814 PLUNGER UNLOADER IHE NL	1	EA	N6		15
0005	70397567 O-RING 3-1/2 X 3-7/8 X 3/16	1	E	00		20
0060	30576466 SPRING UNLOADER PLUNGER	1	EA	00		14
0070	33004201 RING PISTON U/L-4IN OD	1	EA	00		21
0080	70204367 ASSEMBLY VALVE DISCH & CRAB A67	4	EA	00	FIG.4B	
0010	37157963 VALVE DISCHARGE A67 [SPEC-56479]	1	EA	00		
0010	37022522 SEAT VALVE (IN/DIS) IHE	1	EA	01		2
0020	17278458 PLATE SEAT A67	1	EA	00		3
0030	37039153IM HOLDER GUIDE IHE-NL	2	EA	B		4
0040	37039179IM GUIDE VALVE	18	EA	01		5
0050	37039161 SCREW HOLDER GUIDE	4	EA	00		6
0060	70328802 STOP PLATE(IN/DIS)	1	EA	G		7
0080	37024114 BALANCER FLOW WITH WASHER	2	EA	00		8
0090	37082518 WASHER	2	EA	00		9
0100	17288036 CHANNEL & SPRING SET	1	ST	00		10
0110	95110664 SCREW SS M/C	2	EA	0		11
0020	40502452 CRAB VALVE A67	1	EA	02		13
0030	95111167 SCREW 1/4IN X 1.5IN UNC/UNRC-2A	2	EA	0		14
0040	95081873 WASHER LOCK 1/4	2	EA	0		15
0050	31208127 GASKET VALVE SEAT A67	1	EA	00		12
0060	97073985 SCREW SET 1 X 1-13/16	1	EA	N2		
0070	97073860 NUT SET SCREW	1	EA	01		
0080	95117065 NUT JAM	1	EA	0		
0090	97058036 ASSEMBLY HEAD OUTER 16X7IHE	1	EA	00	FIG.20	
0010	70411939 HEAD OUTER 16 IHE	1	EA	04		44
0020	97073233 COVER FRAME	1	EA	01		45
0030	39535232 GASKET WATER COVER IHE OTR HD	1	EA	03		46
0040	95104592 SCREW CAP HEX HEAD 3/4 X 1	8	EA	0		47
0050	97057830 COVER VALVE BARE IHE	4	EA	02		48
0060	70209671 GASKET COVER VALVE 16IN IHE	4	EA	01		49
0070	95053047 SCREW CAP HEX HEAD 1/2 X 1-1/4 HT	32	EA	0		50
0100	70204375 ASSEMBLY PISTON 16 X 7 IHE NL	1	EA	00	FIG.20	
0025	70317060 PISTON COMPLETE 16 X 7 IHE NL	1	EA	00		53/54
0030	95215885 RING PISTON 16	2	EA	01		
0040	94432069 RING WEARING 16IN IHE	1	EA	01		
0110	70263520 ASSEMBLY ROD PISTON 16X7 IHE NL	1	EA	00	FIG.20	
0010	97073993 ROD PISTON 16X7 NL IHE	1	EA	05		58
0020	97074009 NUT PISTON ROD	1	EA	02		59
0030	30565675 NUT JAM 7 INCH STROKE	1	EA	01		61
0040	30589568 WASHER LOCK STAR 7 STK	1	EA	02		60

2 C

AIR END - 1ST STAGE



CYLINDER FOOTPIECE



Ref	Item	Description	Qty	UM	Rev	Drawing	ILL#
0050	97073076	WASHER PISTON ROD NUT	1	EA	01		
0120	70272067	ASSEMBLY STOP OIL PLATE	1	EA	00	FIG.20	
0010	30253025	PLATE OIL STOP	1	EA	02		63
0020	95235131	CLAMP	1	EA	0		64
0130	70272034	ASSEMBLY PACKING SET METALLIC	1	EA	00	FIG.20	
0010	97071294	FLANGE PACKING CASE	1	EA	N1		29
0020	97071302	CUP PACKING CASE	2	EA	N1		30
0030	97071310	CUP PACKING CASE END	1	EA	N1		30
0040	95062469	RING PACKING	3	EA	0		31
0050	39312962	GASKET PACKING CASE	1	EA	03		32
0060	95104469	SCREW CAP HEX HEAD 5/8 X 3	2	EA	0		33
0140	70272059	ASSEMBLY DISTANCE PIECE	1	EA	00	FIG.20	
0010	97075634	DISTANCE PIECE	1	EA	N3		1
0020	39878046	COVER DISTANCE PIECE IHE/PHE	1	EA	01		5
0030	30562664	GASKET COVER DISTANCE PIECE	1	EA	02		6
0040	95104147	SCREW CAP HEX 1/2INX 1IN	8	EA	0		7
0050	70405832	PLATE PARTITION PHE	1	EA	01		8
0060	95104188	SCREW CAP HEX HEAD 1/2 X 1-3/4 LG , GR = 5	4	EA	0		9
0070	30477632	GLAND 7 STK ESH OIL SCRAPER	1	EA	03		12
0080	95103792	SCREW CAP HEX HEAD 3/8 X 1.5 " LG GRADE 5	2	EA	0		13
0009	54491378IM	RING SCRAPPER-1.5 INCH ROD	2	E	01		10
0100	54491386IM	RING SCRAPPER-1.5 INCH ROD	1	EA	01		11
0110	95101044	PLUG PIPE SQ.HD.1 NPT	2	EA	0		
0120	95104659	SCREW CAP HEX HEAD 3/4 X 2-3/4	8	EA	0		7
0130	95077822	NUT HEX 3/4 UNC ESV	8	EA	0		
0140	97073118	FOOTPIECE IHE	1	EA	01		
0150	95104436	SCREW CAP HEX HEAD 5/8 X 1-1/2	2	EA	0		
0150	70414545	ASSEMBLY HEAD FRAME 10X7 WTR BLOCKED	1	EA	00	FIG.20	
0006	70414537	HEAD FRAME WITH STUFFING BOX 10X7 IHE	1	EA	01		18
0060	97073241	PLATE VALVE (IN/DIS) COVER IHE	4	EA	01		25
0070	39488358	GASKET COVER VALVE 10 IN.	4	EA	02		26
0080	95053047	SCREW CAP HEX HEAD 1/2 X 1-1/4 HT	32	EA	0		27
0100	40514507	GASKET FRAME HEAD	1	EA	02		28
0120	95077822	NUT HEX 3/4 UNC ESV	8	EA	0		
0130	95737417	STUD 3/4 X 3-1/4	8	EA	0		
0140	95033619	PLUG PIPE SQ.HD 1/2 NPT CS BLACK	4	EA	0		
0160	70263025	ASSEMBLY CYLINDER 10 X 7 NL	1	EA	00	FIG.20/2C	
0010	70412051	CYLINDER 10 IHE	1	EA	05		35
0012	39535661	COVER WATER CYLINDER	2	EA	03		
0013	39535638	GASKET WATER COVER PHE-7	2	EA	03		
0014	95104147	SCREW CAP HEX 1/2INX 1IN	12	EA	0		
0015	95033619	PLUG PIPE SQ.HD 1/2 NPT CS BLACK	3	EA	0		
0017	95002044	REDUCER BUSHING 1/2 NPT X 1/4 NPT	1	EA	0		
0020	70412689	GASKET CYLINDER 10	2	EA	01		
0030	40036519	NAMEPLATE	1	EA	05		
0040	39175070	SCREW MACHINE 0.114" X 0.25"	4	EA	01		
0050	95033593	PLUG PIPE SQ.HD. 1/4 NPT	2	EA	0		
0060	95594487	STUD 1 X 4	8	EA	0		36
0070	95077749	NUT HEX 1IN	8	EA	0		37
0080	30510069	PLUG SP LUBRICATOR HOLE	1	EA	A		
0090	95098687	PIN ROLL 3/8 X 1	2	EA	N7		
0100	94432697	FOOTPIECE 5 IN X 150 HYDROTESTED	1	EA	02		2C1

Ref	Item	Description	Qty	UM	Rev	Drawing	ILL#
0110	94475480 GASKET FLANGE 5 IN. X 150#	1	EA	01		2C2
0120	95035440 BOLT HEX HEAD 3/4IN X 2IN	8	EA	0		2C3
0130	30194989 PLATE SOLE IHE	1	EA	02		2C5
0140	95104642 SCREW CAP HEX HEAD 3/4 X 1-3/4	4	EA	0		2C6
0150	30199087 SPACER FOOT PIECE	1	EA	01		2C4
0160	94426210 VALVE DRAIN 1/4 NPT	1	EA	02		
0170	97100747 FLANGE CLOSURE 5IN X 150#	1	EA	00		
0190	30510069 PLUG SP LUBRICATOR HOLE	1	EA	A		
0200	95594487 STUD 1 X 4	8	EA	0		38
0210	95077749 NUT HEX 1IN	8	EA	0		39
0170	70410634 ASSEMBLY VALVE INLET & FAU A43	4	EA	00	FIG.3A	
0010	37021110 VALVE INLET A43	1	EA	00		
0006	30249247 STOP PLATE(IN/DIS) INLET	1	EA	03		2
0010	37021417 CHANNEL & SPRING SET	1	ST	02		7
0030	95110581 SCREW MACHINE	2	EA	0		11
0035	37074093 BALANCER FLOW	2	EA	00		
0037	37039377 WASHER BWL	2	EA	00		9
0040	37788494 ASSEMBLY INLET SEAT	1	EA	00		
0016	40516031 SEAT VALVE INLET	1	EA	05		10
0020	17278425 PLATE SEAT A43	1	EA	00		3
0025	31459019IM HOLDER GUIDE	2	EA	02		4
0030	37025988 SCREW MACHINE	4	EA	D		
0035	37039179IM GUIDE VALVE	10	EA	01		5
0020	70410626 ASSEMBLY U/L FAU(A43) WITH O-RINGS	1	EA	00		
0010	97073282 COVER UNLOADER	1	EA	01		24
0020	39322102 SCREW 1/4 X 1-1/8 - FILLISTER HEAD	2	EA	01		
0030	33822735 CAGE UNLOADER 12X11	1	EA	04		13
0004	37042751 PISTON UNLOADER INLET	1	E	01		21
0050	30417000 SPRING UNLOADER	1	EA	00		19
0065	95041539 O-RING 2-1/2 X 2-7/8 X 42430	1	EA	0		20
0070	30483051 RING PISTON UNLOADER	1	EA	02		21
0075	30164388 PLUNGER INLET UNLOADER	1	EA	03		15
0080	30576490 SPRING PLUNGER LIFTING	1	EA	00		14
0090	95926036 SCREW SLOTTED FILLISTER HD 1/4X7/8	2	EA	0		18
0110	35155712 GASKET COVER FAU	1	EA	01		23
0030	95111134 SCREW MACHINE 1/4IN X 7/8IN	2	EA	0		
0040	95081873 WASHER LOCK 1/4	2	EA	0		
0050	97073837 SCREW SET 1IN X 1-1/2IN INLET	1	EA	01		
0060	97073860 NUT SET SCREW	1	EA	01		
0070	95117065 NUT JAM	1	EA	0		38
0080	30550867 GASKET VALVE SEAT	1	EA	00		12
0180	97058093 ASSEMBLY VALVE DISCH & CRAB A43	4	EA	00	FIG.4B	
0010	37157831 VALVE DISCHARGE A43 150/175# NL	1	EA	00		
0060	37157856 STOP PLATE DISCHARGE	1	EA	N3		7
0070	37074093 BALANCER FLOW	2	EA	00		8
0080	37039377 WASHER BWL	2	EA	00		9
0090	37021417 CHANNEL & SPRING SET	1	ST	02		10
0100	95110573 SCREW MACHINE	2	EA	0		6
0110	37788528 ASSEMBLY DISCH SEAT	1	EA	00		2
0010	40516049 SEAT VALVE DISCHARGE	1	EA	03		2
0020	17278425 PLATE SEAT A43	1	EA	00		3
0030	31459019IM HOLDER GUIDE	2	EA	02		4



Ref	Item	Description	Qty	UM	Rev	Drawing	ILL#
0040	37039179IM GUIDE VALVE	10	EA	01		5
0050	37025988 SCREW MACHINE	4	EA	D		11
0020	30550867 GASKET VALVE SEAT	1	EA	00		
0030	31252521 CRAB VALVE 12X11	1	EA	N1		
0040	95111159 SCREW MACHINE 1/4INX1-1/4IN	2	EA	0		14
0050	95081873 WASHER LOCK 1/4	2	EA	0		
0060	97074066 SCREW SET 1IN X2 9/16 IN	1	EA	01		6
0070	97073860 NUT SET SCREW	1	EA	01		
0080	95117065 NUT JAM	1	EA	0		
0190	70414503	. . . ASSEMBLY OUTER HEAD 10X7 WTR BLOCKED	1	EA	00	FIG.20	
0010	70412671 HEAD OUTER 10 IHE	1	EA	06		44
0021	97073233 COVER FRAME	1	EA	01		45
0030	39535232 GASKET WATER COVER IHE OTR HD	1	EA	03		46
0040	95104634 SCREW CAP HEX HEAD 3/4 X 1-1/2	8	EA	0		47
0050	97073241 PLATE VALVE (IN/DIS) COVER IHE	4	EA	01		48
0062	39488358 GASKET COVER VALVE 10 IN.	4	EA	02		49
0070	95053047 SCREW CAP HEX HEAD 1/2 X 1-1/4 HT	32	EA	0		50
0090	95033619 PLUG PIPE SQ.HD 1/2 NPT CS BLACK	4	EA	0		
0200	97058119LOC	. . . ASSEMBLY PISTON 10 X 7 PHE/ESV	1	EA	00	FIG.20	
0010	97058366 ASSEMBLY PISTON 10 X 7 NL ESV/PHE	1	EA	01		53/54
0020	94432051 RING WEARING 10 IHE	1	EA	16		
0030	95570453 RING PISTON 10	2	EA	01		
0210	97058127	. . . ASSEMBLY PISTON ROD 10X7	1	EA	02	FIG.20	
0010	39583299 ROD PISTON LIQ. NITRIDED 10X7	1	EA	04		58
0020	37087525 NUT PISTON-1/8-12UNF2B	1	EA	01		59
0030	30565675 NUT JAM 7 INCH STROKE	1	EA	01		61
0040	30589568 WASHER LOCK STAR 7 STK	1	EA	02		60
0220	17294356	. . . TUBING REGULATION 2 STEP (0-100%)	1	EA	00		
0010	70316625 ELBOW MALE 3/8T X 1/8 NPT	4	EA	00		
0020	70316609 TEE UNION 3/8T X 3/8T X 3/8T	3	EA	00		
0050	94468212 TUBE SS SEAMLESS 3/8X.035	43.7	FT	00		
0060	70316583 UNION 3/8T X 3/8T	3	EA	00		
0080	97057848 TEE REDUCING 1/2 X 1/2 X 3/8	1	EA	N3		
0090	95002044 REDUCER BUSHING 1/2 NPT X 1/4 NPT	1	EA	0		
0011	70316609 TEE UNION 3/8T X 3/8T X 3/8T	1	E	00		
0120	70316641 CONNECTOR MALE 3/8T X 1/8 NPT	2	EA	00		
0140	70220355 TUBE 3/8 ODX.035 THK.SS304WELD.ANNL	1	FT	01		
0150	95033593 PLUG PIPE SQ.HD. 1/4 NPT	1	EA	0		
0180	70404223 CLAMP FOR TUBE CLIP	2	EA	00		
0190	70409602 CLIP TUBE FOR 1 TUBE 3/8	1	EA	R1		
0240	70409610 CLIP TUBE FOR 2 TUBES 3/8	2	EA	R1		
0230	70204136	. . . ASSEMBLY GAUGE MOUNTING	1	EA	00		
0010	70444237 PANEL GAUGE	1	EA	00		
0020	70442546 GAUGE PRESSURE 0-7 KG/CM SQ G	2	EA	02		
0030	70442538 GAUGE PRESSURE 0-16 KG/CM SQ G	1	EA	02		
0040	70230487 CONNECTOR MALE 1/4T X 1/4 NPT	1	EA	00		
0050	95446639 COUPLING FULL 1/4 NPTX3000# SA105	3	EA	0		
0070	95104352 SCREW CAP HEX HEAD 1/4 X 3/4	3	EA	0		
0080	95094298 WASHER FLAT 1/4	3	EA	0		
0090	95081873 WASHER LOCK 1/4	3	EA	0		
0100	70219795 ELBOW MALE 1/4T X 1/4 NPT	2	EA	00		
0110	94468261 TUBE 1/4 X 0.035 SS SEAMLESS	2	FT	03		

Ref	Item	Description	Qty	UM	Rev	Drawing	ILL#
0120	17295510	. . . DAMPENER PULSATION SS304, 0-250 KG/CM2 G	2	EA	00		
0240	70204078NL	. . . ASSEMBLY INTERCOOLER 16&10X7 IHE10 NL	1	EA	00		
0010	70431382	. . . INTERCOOLER 1050CFM,30WP,IHE-10 NL	1	EA	01		
0030	97105415	. . . VALVE SAFETY 2 BSPT X 45#,OPEN TYPE	1	EA	N2		
0040	95002044	. . . REDUCER BUSHING 1/2 NPT X 1/4 NPT	1	EA	0		
0050	94475480	. . . GASKET FLANGE 5 IN. X 150#	1	EA	01		
0060	70212303	. . . GASKET FLANGE 8 X 150#	1	EA	00		
0070	95104659	. . . SCREW CAP HEX HEAD 3/4 X 2-3/4	8	EA	0		
0080	95035457	. . . BOLT HEX HEAD 3/4IN X 2-1/4IN	8	EA	0		
0090	95081055	. . . VALVE GLOBE 3/4INCH NPT BRONZE	1	EA	0		
0100	95049250	. . . NIPPLE 3/4INCH X 4INCH	1	EA	0		
0250	70272075	. . . ASSEMBLY STOP OIL PLATE	1	EA	00	FIG.20	
0010	30253025	. . . PLATE OIL STOP	1	EA	02		63
0020	95235131	. . . CLAMP	1	EA	0		64
0260	94472503	. . . NAMEPLATE SET	1	EA	00		
0040	40036519	. . . NAMEPLATE	2	EA	05		
0050	40074775	. . . PLATE NL INSTRUCTIONS	2	EA	02		
0060	39175070	. . . SCREW MACHINE 0.114" X 0.25"	20	EA	01		
0070	70434857	. . . NAMEPLATE FOR HEAT EXCHANGER	1	EA	03		
0020	95104766	. SCREW CAP HEX HEAD 3/4 X 6	4	EA	0		
0030	95077822	. NUT HEX 3/4 UNC ESV	4	EA	0		
0040	95064739	. WASHER SPRING 3/4 (LIGHT)	4	EA	0		
0050	30608673	. WASHER 3/4IN	4	EA	2		
0060	17268582	. . . ASSEMBLY AFTER COOLER IHE10 PKG	1	EA	0		
0010	70461454	. . . AFTERCOOLER VER 1050CFM 125PSI	1	EA	01		
0020	95035465	. . . BOLT HEX HEAD 3/4IN X 2-1/2IN	8	EA	0		
0030	95077822	. . . NUT HEX 3/4 UNC ESV	8	EA	0		
0040	70461447	. . . VALVE SAFETY 1-1/2IN SET AT 115PSIG	1	EA	00		
0070	17268590	. . . ASSEMBLY AIR PIPING IHE10 PACKAGE	1	EA	0		
0010	70230206	. . . PIPE 5IN SCH-40 SA106 GR B	3	FT	00		
0020	95482956	. . . FLANGE 5INX 150# SORF SERR.SA105	2	EA	0		
0030	94475480	. . . GASKET FLANGE 5 IN. X 150#	2	EA	01		
0040	95104683	. . . SCREW CAP HEX HEAD 3/4 X 3-1/2	16	EA	0		
0050	95077822	. . . NUT HEX 3/4 UNC ESV	16	EA	0		
0060	95596466	. . . ELBOW 5INX90DEG LR BW.SCH40 A234WPB	1	EA	0		
0080	17271651	. . . SKID FOR 16&10X7 IHE10 NL/LUB	1	EA	01		
0090	17292426	. . . ASSEMBLY MOTOR,VBD,3RD BRG ARRANGEMENT IS2-180	1	EA	00		
0010	17289406	. . . MOTOR ELECTRIC 180HP 3PH (IR MAKE)	1	EA	00		
0020	97066286	. . . SHEAVE V IHE WITH BUSH & CAP SCREW 36"PCDX12.38	1	EA	00		
0030	97070155	. . . BELT V IHE SPC4250	6	EA	00		
0040	70333380	. . . PULLEY MOTOR 1500SC0680X170	1	EA	00		
0005	70458724	. . . GUARD BELT IHE10 PKG,36IN V SHEAVE	1	E	00		
0060	70424718	. . . ASSEMBLY THIRD BRG ARRGMNT IHE10 PKG1	1	EA	00		
0010	97057897	. . . SHAFT ADAPTER FOR PEDESTAL BRG.	1	EA	01		
0020	95275384	. . . STUD 5/8INX3-1/4IN ASTM A307 GR B7	8	EA	0		
0030	95077814	. . . NUT HEX 5/8 UNC	8	EA	0		
0040	95081790	. . . WASHER SPRING 5/8	8	EA	0		
0050	97057905	. . . BLOCK PLUMMER	1	EA	N4		
0060	70233291IM	. . . BEARING NTN 22220 BK	1	EA	00		
0070	70220124	. . . SLEEVE ADAPTER/NUT, H320	1	EA	00		
0080	97057939	. . . PLATE BACKUP	1	EA	N4		
0090	70424247	. . . PEDESTAL FABRICATED IHE10 PKG1	1	EA	02		

Ref	Item	Description	Qty	UM	Rev	Drawing	ILL#
0100	95104659	. . . SCREW CAP HEX HEAD 3/4 X 2-3/4	10	EA	0		
0120	70415633	. . . PIN ROLL 3/8 X 2-1/2 LONG	4	EA	00		
0130	95043162	. . . WASHER SPRING 7/8	2	EA	0		
0140	95064739	. . . WASHER SPRING 3/4 (LIGHT)	4	EA	0		
0170	95043162	. . . WASHER SPRING 7/8	4	EA	0		
0190	97057970	. . . SHIM 40 GAUGE IHE	10	EA	N3		
0200	97057988	. . . SHIM 44 GAUGE IHE	10	EA	N1		
0220	70419155	. . . SHIM 20 GAUGE IHE	10	EA	N3		
0230	70419163	. . . SHIM 30 GAUGE IHE	10	EA	N3		
0240	70419171	. . . SHIM 10 GAUGE IHE	10	EA	N3		
0250	70421375	. . . PLATE SIDE	2	EA	N1		
0260	95104949	. . . SCREW CAP HEX HEAD 7/8 X 4-1/2	6	EA	0		
0270	70422035	. . . WASHER 2IN X 1/8 THK	6	EA	00		
0280	95053047	. . . SCREW CAP HEX HEAD 1/2 X 1-1/4 HT	4	EA	0		
0070	70429683	. . SLIDE RAIL 32 FABRICATED	1	ST	01		
0080	95105136	. . SCREW CAP HEX HEAD 1IN X 4IN	8	EA	0		
0090	70422035	. . WASHER 2IN X 1/8 THK	16	EA	00		
0100	17294315	. CONTROL PANEL RELAY BASED 180 HP 6 FLT	1	EA	00		
0110	70458252	. ASSEMBLY WATER PIPING IHE10 PKG	1	EA	00		
0010	70230198	. . PIPE 1/2IN SCH-40	20	FT	00		
0020	70411954	. . PIPE 1IN SCH40 SEAMLESS	40	FT	00		
0030	70334479	. . PIPE 1-1/2IN SCH 40 SA106 GR-B	20	FT	00		
0035	70231139	. . PIPE 3IN SCH-40 SEAMLESS SA106 GR-B	20	FT	00		
0040	95254272	. . FLANGE 3 X 150# SORF SERR. SA105	4	EA	0		
0050	94475472	. . GASKET FLANGE 3 X 150# RATING	4	EA	00		
0060	95104451	. . SCREW CAP HEX HEAD 5/8 X 2-3/4	16	EA	0		
0070	95077814	. . NUT HEX 5/8 UNC	16	EA	0		
0080	94449584	. . FLANGE BLIND 3INX 150#	2	EA	00		
0090	95669081	. . TEE REDUCING 3INX 3INX 1-1/2BW SCH.40	3	EA	0		
0100	95254553	. . FLANGE 1-1/2IN X 150# SA105 SWRF	10	EA	0		
0110	70212329	. . GASKET FLANGE 1-1/2 X 150#	5	EA	00		
0120	95104204	. . SCREW CAP HEX HEAD 1/2 X 2-1/4	20	EA	0		
0130	95077798	. . NUT HEX 1/2 UNC	32	EA	0		
0140	95244232	. . ELBOW 1-1/2INX90DEG,3000# SW S	7	EA	0		
0150	70230701	. . NIPPLE PIPE 1-1/2INX 6IN	2	EA	00		
0160	95409256	. . INDICATOR SIGHT FLOW 37257	1	EA	0		
0170	70221262	. . VALVE GLOBE 1-1/2 INCH 800#S.W.	1	EA	N3		
0180	70266879	. . TEE REDUCING 1-1/2X1/2 3000# SW SA105	1	EA	00		
0200	97079065	. . VALVE GLOBE 1/2 X 800#BOLTED BONNE	1	EA	N3		
0210	95446639	. . COUPLING FULL 1/4 NPTX3000# SA105	5	EA	0		
0220	94426210	. . VALVE DRAIN 1/4 NPT	4	EA	02		
0230	70233697	. . TEE 1-1/2 SW X 3000# EQUAL SA105	1	EA	00		
0240	70271325	. . REDUCER CONCENTRIC 1-1/2X1 3000# SW SA105	2	EA	00		
0250	95244216	. . ELBOW 1 X90DEG,3000# SW SA105	16	EA	0		
0260	95254512	. . FLANGE SWRF 1IN X 150# SA105	12	EA	0		
0270	70212253	. . GASKET FLANGE 1 X 150#	7	EA	00		
0280	95104196	. . SCREW CAP HEX HEAD 1/2 X 2 LG	32	EA	0		
0290	95077798	. . NUT HEX 1/2 UNC	8	EA	0		
0030	70317466	. . INDICATOR SIGHT FLOW 1IN X 150#	2	E			
0310	97079081	. . VALVE GLOBE 1 X 800#BOLTED BONNET,	2	EA	N3		
0320	95254470	. . FLANGE SWRF 1/2INX 150# SA105	26	EA	0		
0330	94496577	. . GASKET FLANGE 1/2 X 150#	13	EA	N1		

Ref	Item	Description	Qty	UM	Rev	Drawing	ILL#
0340	95104188	. . . SCREW CAP HEX HEAD 1/2 X 1-3/4 LG , GR = 5	52	EA	0		
0350	95077798	. . . NUT HEX 1/2 UNC	52	EA	0		
0360	95440475	. . . TEE REDUCING 1X1X1/2 SW 3000# SA105	8	EA	0		
0370	95244190	. . . ELBOW 1/2IN X 90DEG,3000# SW SA105	10	EA	0		
0380	95242517	. . . NIPPLE 1/2 X 6 SCH-80 ASTM A106	8	EA	0		
0390	95491601	. . . TEE REDUCING 3X3X2 BW SCH-40 A234WPB	2	EA	0		
0400	95254256	. . . FLANGE 2INX 150# SORF SA105 C.S.	8	EA	0		
0410	70212337	. . . GASKET FLANGE 2 X 150#	6	EA	00		
0420	95104444	. . . SCREW CAP HEX HEAD 5/8 X 2-1/2	24	EA	0		
0430	95077814	. . . NUT HEX 5/8 UNC	24	EA	0		
0440	70273347	. . . INDICATOR SIGHT FLOW 2IN X150#(USE 95457891)	1	EA			
0450	95277125	. . . FLANGE 2-1/2 X 150# SORF SA105	4	EA	0		
0470	70212345	. . . GASKET FLANGE 2-1/2 X 150#	2	EA	00		
0480	95104451	. . . SCREW CAP HEX HEAD 5/8 X 2-3/4	8	EA	0		
0490	95077814	. . . NUT HEX 5/8 UNC	8	EA	0		
0500	95492468	. . . ELBOW 2 X 90DEG LR.SCH-40 A234 WPB	7	EA	0		
0510	70233390	. . . REDUCER CONCENTRIC 2-1/2X2BW SCHASTM A2	2	EA	00		
0520	97078588	. . . VALVE GLOBE 2IN 150#	1	EA	00		
0530	70273743	. . . PIPE 2IN SCH-40 SEAMLESS SA106 GR-B	20	FT	00		
0540	70423116	. . . COUPLING 1 BSP	1	EA	00		
0560	95582672	. . . ELBOW 2-1/2 LR B.W.XSCH-40 SA234WPB	1	EA	0		
0570	97097398	. . . CLAMP PIPE SUPPORT 3 INCH	6	EA	00		
0580	95104436	. . . SCREW CAP HEX HEAD 5/8 X 1-1/2	12	EA	0		
0590	95077814	. . . NUT HEX 5/8 UNC	12	EA	0		
0600	97097372	. . . CLAMP PIPE SUPPORT 2 INCH	2	EA	00		
0610	95104436	. . . SCREW CAP HEX HEAD 5/8 X 1-1/2	4	EA	0		
0620	95077814	. . . NUT HEX 5/8 UNC	4	EA	0		
0630	94436318	. . . CLAMP PIPE SUPPORT 1-1/2 INCH	2	EA			
0640	95104436	. . . SCREW CAP HEX HEAD 5/8 X 1-1/2	4	EA	0		
0650	95077814	. . . NUT HEX 5/8 UNC	4	EA	0		
0660	97097364	. . . CLAMP PIPE SUPPORT 1 INCH	1	EA	00		
0670	95087409	. . . BOLT HEX HEAD 1/2 X 37258	2	EA	0		
0680	95077798	. . . NUT HEX 1/2 UNC	2	EA	0		
0690	95446654	. . . COUPLING FULL 3/4IN NPTX3000# SA105	3	EA	0		
0120	70418934A	. . . ASSEMBLY FILTER, FOOT PC,ELBOW,AIR PPG	1	EA	00		
0010	70431846	. . . FILTER AIR, 1000 CFM	1	EA	00		
0040	70203815	. . . FOOTPIECE CYLINDER 8 FLANGE	1	EA	01		
0050	70212303	. . . GASKET FLANGE 8 X 150#	3	EA	00		
0060	95104683	. . . SCREW CAP HEX HEAD 3/4 X 3-1/2	24	EA	0		
0070	95077822	. . . NUT HEX 3/4 UNC ESV	24	EA	0		
0080	30253843	. . . PLATE SOLE HSE	1	EA	01		
0090	95104642	. . . SCREW CAP HEX HEAD 3/4 X 1-3/4	4	EA	0		
0100	30199095	. . . SPACER FOOT PIECE	1	EA	01		
0120	95106233	. . . FLANGE 8INX 150 # SORF SA105	2	EA	0		
0130	70228994	. . . PIPE 8 NB SCH 40 C.S.A106GRB,SEAMLS	10	FT	00		
0130	70448014	. . . TUBING DRAIN I/C+A/C IHE5NL PKG	1	EA	00		
0010	70234323	. . . TUBE 1/2 ODX.035 THK, SS304 WELDED	20	FT	01		
0020	70435615	. . . CONNECTOR MALE 1/2T X 1/2 NPT	20	EA	00		
0030	70435623	. . . TEE UNION 1/2T X 1/2T X 1/2T	3	EA	00		
0040	70349725	. . . VALVE ISOLATION 1/2IN NPT	4	EA	00		
0050	70416573	. . . TRAP AUTO DRAIN TRIDENT 220AC 0-15KG/CM^2G	2	EA	N7		
0060	37073194	. . . STRAINER 1/2 IN	2	EA	00		

Ref	Item	Description	Qty	UM	Rev	Drawing	ILL#
0070	95056032	. . REDUCER BUSHING 3/4 NPT X 1/2 NPT	3	EA	0		
0080	95446647	. . COUPLING FULL 1/2IN NPTX3000# SA105	4	EA	0		
0090	70440680	. . CLAMP TUBE 1/2IN WITH BOLT & NUT	10	EA	01		
0010	95033619	. . PLUG PIPE SQ.HD 1/2 NPT CS BLACK	4	E	0		
0140	70446356	. TUBING FOR PRESSURE GAUGES	1	EA	00		
0010	95446647	. . COUPLING FULL 1/2IN NPTX3000# SA105	3	EA	0		
0020	95056032	. . REDUCER BUSHING 3/4 NPT X 1/2 NPT	5	EA	0		
0040	94468212	. . TUBE SS SEAMLESS 3/8X.035	30	FT	00		
0050	70409156	. . ELBOW MALE 3/8T X 3/8 NPT	3	EA	00		
0060	70316633	. . CONNECTOR MALE 3/8T X 1/4 NPT	1	EA	00		
0070	70316583	. . UNION 3/8T X 3/8T	2	EA	00		
0080	70409610	. . CLIP TUBE FOR 2 TUBES 3/8	8	EA	R1		
0090	70409628	. . CLIP TUBE FOR 3 TUBES 3/8	10	EA	R1		
0100	70409636	. . CLIP TUBE FOR 4 TUBES 3/8	6	EA	R1		
0150	94440401G	. GAUGE PRESSURE 4D 0-6KG/CM^2 GLY FLD	2	EA	00		
0160	70274204G	. GAUGE PRESSURE 4D 0-16KG/CM^2 GLY FLD	1	EA	00		
0185	97085740	. THERMOWELL 3/4IN NPT, S.S.	2	EA	00		
0190	94476371	. SWITCH TEMPERATURE 120-215C,5M CAP	2	EA	01		
0210	97071229	. SWITCH PRESSURE 1/4" BSP (F)	1	EA	00		
0220	70448030	. TUBING & CABLING FOR U/L&INSTRUMENT	1	EA	00		
0010	94488376	. . FILTER IN/OUT CONN1/2IN NPTF	1	EA	R1		
0020	70349725	. . VALVE ISOLATION 1/2IN NPT	2	EA	00		
0040	94468212	. . TUBE SS SEAMLESS 3/8X.035	60	FT	00		
0070	70430582	. . TRAY CABLE 4 W X 3 H X 4 FT LONG	2	EA	00		
0090	70430608	. . TRAY CABLE 2 W X 2 H X 2 MT LONG	3	EA	00		
0100	70409610	. . CLIP TUBE FOR 2 TUBES 3/8	2	EA	R1		
0110	70409628	. . CLIP TUBE FOR 3 TUBES 3/8	6	EA	R1		
0120	17261678	. . CABLE CONTROL 2C*1.5SQ.MM,FLEXIBLE	60	M	00		
0130	70316617	. . ELBOW MALE 3/8T X 1/4 NPT	6	EA	00		
0140	70411699	. . TEE REDUCING 3/8 T X 3/8 T X 1/4 NPT	2	EA	00		
0150	95273637	. . CONNECTOR 1/2NPTX3/8TUBE	6	EA	0		
0160	70316633	. . CONNECTOR MALE 3/8T X 1/4 NPT	2	EA	00		
0170	95037958	. . REDUCER BUSHING 1/2NPTX 3/8NPT	2	EA	0		
0180	95002044	. . REDUCER BUSHING 1/2 NPT X 1/4 NPT	4	EA	0		
0190	70316625	. . ELBOW MALE 3/8T X 1/8 NPT	2	EA	00		
0020	17288788S	COMP IS2 180 SHIPPING	1	EA	00		
0010	97105977	. BOLT FOUNDATION 3/4IN X 22IN	18	EA	01		
0020	95077822	. NUT HEX 3/4 UNC ESV	18	EA	0		
0030	95064739	. WASHER SPRING 3/4 (LIGHT)	18	EA	0		

Ref	Item	Description	Qty	UM	Rev	Drawing	ILL#
0120	17295510	. . . DAMPENER PULSATION SS304, 0-250 KG/CM2 G	2	EA	00		
0240	70204078NL	. . . ASSEMBLY INTERCOOLER 16&10X7 IHE10 NL	1	EA	00		
0010	70431382	. . . INTERCOOLER 1050CFM,30WP,IHE-10 NL	1	EA	01		
0030	97105415	. . . VALVE SAFETY 2 BSPT X 45#,OPEN TYPE	1	EA	N2		
0040	95002044	. . . REDUCER BUSHING 1/2 NPT X 1/4 NPT	1	EA	0		
0050	94475480	. . . GASKET FLANGE 5 IN. X 150#	1	EA	01		
0060	70212303	. . . GASKET FLANGE 8 X 150#	1	EA	00		
0070	95104659	. . . SCREW CAP HEX HEAD 3/4 X 2-3/4	8	EA	0		
0080	95035457	. . . BOLT HEX HEAD 3/4IN X 2-1/4IN	8	EA	0		
0090	95081055	. . . VALVE GLOBE 3/4INCH NPT BRONZE	1	EA	0		
0100	95049250	. . . NIPPLE 3/4INCH X 4INCH	1	EA	0		
0250	70272075	. . . ASSEMBLY STOP OIL PLATE	1	EA	00	FIG.20	
0010	30253025	. . . PLATE OIL STOP	1	EA	02		63
0020	95235131	. . . CLAMP	1	EA	0		64
0260	94472503	. . . NAMEPLATE SET	1	EA	00		
0040	40036519	. . . NAMEPLATE	2	EA	05		
0050	40074775	. . . PLATE NL INSTRUCTIONS	2	EA	02		
0060	39175070	. . . SCREW MACHINE 0.114" X 0.25"	20	EA	01		
0070	70434857	. . . NAMEPLATE FOR HEAT EXCHANGER	1	EA	03		
0020	95104766	. SCREW CAP HEX HEAD 3/4 X 6	4	EA	0		
0030	95077822	. NUT HEX 3/4 UNC ESV	4	EA	0		
0040	95064739	. WASHER SPRING 3/4 (LIGHT)	4	EA	0		
0050	30608673	. WASHER 3/4IN	4	EA	2		
0060	17268582	. ASSEMBLY AFTER COOLER IHE10 PKG	1	EA	0		
0010	70461454	. . . AFTERCOOLER VER 1050CFM 125PSI	1	EA	01		
0020	95035465	. . . BOLT HEX HEAD 3/4IN X 2-1/2IN	8	EA	0		
0030	95077822	. . . NUT HEX 3/4 UNC ESV	8	EA	0		
0040	70461447	. . . VALVE SAFETY 1-1/2IN SET AT 115PSIG	1	EA	00		
0070	17268590	. ASSEMBLY AIR PIPING IHE10 PACKAGE	1	EA	0		
0010	70230206	. . . PIPE 5IN SCH-40 SA106 GR B	3	FT	00		
0020	95482956	. . . FLANGE 5INX 150# SORF SERR.SA105	2	EA	0		
0030	94475480	. . . GASKET FLANGE 5 IN. X 150#	2	EA	01		
0040	95104683	. . . SCREW CAP HEX HEAD 3/4 X 3-1/2	16	EA	0		
0050	95077822	. . . NUT HEX 3/4 UNC ESV	16	EA	0		
0060	95596466	. . . ELBOW 5INX90DEG LR BW.SCH40 A234WPB	1	EA	0		
0080	17271651	. SKID FOR 16&10X7 IHE10 NL/LUB	1	EA	01		
0090	17292467	. ASSEMBLY MOTOR,VBD,3RD BRG ARRANGEMENT IS2-215	1	EA	00		
0010	17289414	. . . MOTOR ELECTRIC 215HP 3PH (IR MAKE)	1	EA	00		
0020	70424643	. . . SHEAVE V 30IN WITH BUSH & CAP SCREW	1	EA	00		
0030	97070155	. . . BELT V IHE SPC4250	6	EA	00		
0040	70458096	. . . PULLEY MOTOR 1412SC0680X170	1	EA	00		
0005	70424767	. . . GUARD BELT FOR IHE10 PKG1 BHUSHAN	1	E	00		
0060	70424718	. . . ASSEMBLY THIRD BRG ARRGMNT IHE10 PKG1	1	EA	00		
0010	97057897	. . . SHAFT ADAPTER FOR PEDESTAL BRG.	1	EA	01		
0020	95275384	. . . STUD 5/8INX3-1/4IN ASTM A307 GR B7	8	EA	0		
0030	95077814	. . . NUT HEX 5/8 UNC	8	EA	0		
0040	95081790	. . . WASHER SPRING 5/8	8	EA	0		
0050	97057905	. . . BLOCK PLUMMER	1	EA	N4		
0060	702332911M	. . . BEARING NTN 22220 BK	1	EA	00		
0070	70220124	. . . SLEEVE ADAPTER/NUT, H320	1	EA	00		
0080	97057939	. . . PLATE BACKUP	1	EA	N4		
0090	70424247	. . . PEDESTAL FABRICATED IHE10 PKG1	1	EA	02		

Ref	Item	Description	Qty	UM	Rev	Drawing	ILL#
0100	95104659	. . . SCREW CAP HEX HEAD 3/4 X 2-3/4	10	EA	0		
0120	70415633	. . . PIN ROLL 3/8 X 2-1/2 LONG	4	EA	00		
0130	95043162	. . . WASHER SPRING 7/8	2	EA	0		
0140	95064739	. . . WASHER SPRING 3/4 (LIGHT)	4	EA	0		
0170	95043162	. . . WASHER SPRING 7/8	4	EA	0		
0190	97057970	. . . SHIM 40 GAUGE IHE	10	EA	N3		
0200	97057988	. . . SHIM 44 GAUGE IHE	10	EA	N1		
0220	70419155	. . . SHIM 20 GAUGE IHE	10	EA	N3		
0230	70419163	. . . SHIM 30 GAUGE IHE	10	EA	N3		
0240	70419171	. . . SHIM 10 GAUGE IHE	10	EA	N3		
0250	70421375	. . . PLATE SIDE	2	EA	N1		
0260	95104949	. . . SCREW CAP HEX HEAD 7/8 X 4-1/2	6	EA	0		
0270	70422035	. . . WASHER 2IN X 1/8 THK	6	EA	00		
0280	95053047	. . . SCREW CAP HEX HEAD 1/2 X 1-1/4 HT	4	EA	0		
0070	70429683	. . SLIDE RAIL 32 FABRICATED	1	ST	01		
0080	95105136	. . SCREW CAP HEX HEAD 1IN X 4IN	8	EA	0		
0090	70422035	. . WASHER 2IN X 1/8 THK	16	EA	00		
0100	17294117	. CONTROL PANEL RELAY BASED 215 HP 6FLT	1	EA	00		
0110	70458252	. ASSEMBLY WATER PIPING IHE10 PKG	1	EA	00		
0010	70230198	. . PIPE 1/2IN SCH-40	20	FT	00		
0020	70411954	. . PIPE 1IN SCH40 SEAMLESS	40	FT	00		
0030	70334479	. . PIPE 1-1/2IN SCH 40 SA106 GR-B	20	FT	00		
0035	70231139	. . PIPE 3IN SCH-40 SEAMLESS SA106 GR-B	20	FT	00		
0040	95254272	. . FLANGE 3 X 150# SORF SERR. SA105	4	EA	0		
0050	94475472	. . GASKET FLANGE 3 X 150# RATING	4	EA	00		
0060	95104451	. . SCREW CAP HEX HEAD 5/8 X 2-3/4	16	EA	0		
0070	95077814	. . NUT HEX 5/8 UNC	16	EA	0		
0080	94449584	. . FLANGE BLIND 3INX 150#	2	EA	00		
0090	95669081	. . TEE REDUCING 3INX 3INX 1-1/2BW SCH.40	3	EA	0		
0100	95254553	. . FLANGE 1-1/2IN X 150# SA105 SWRF	10	EA	0		
0110	70212329	. . GASKET FLANGE 1-1/2 X 150#	5	EA	00		
0120	95104204	. . SCREW CAP HEX HEAD 1/2 X 2-1/4	20	EA	0		
0130	95077798	. . NUT HEX 1/2 UNC	32	EA	0		
0140	95244232	. . ELBOW 1-1/2INX90DEG,3000# SW S	7	EA	0		
0150	70230701	. . NIPPLE PIPE 1-1/2INX 6IN	2	EA	00		
0160	95409256	. . INDICATOR SIGHT FLOW 37257	1	EA	0		
0170	70221262	. . VALVE GLOBE 1-1/2 INCH 800#S.W.	1	EA	N3		
0180	70266879	. . TEE REDUCING 1-1/2X1/2 3000# SW SA105	1	EA	00		
0200	97079065	. . VALVE GLOBE 1/2 X 800#BOLTED BONNE	1	EA	N3		
0210	95446639	. . COUPLING FULL 1/4 NPTX3000# SA105	5	EA	0		
0220	94426210	. . VALVE DRAIN 1/4 NPT	4	EA	02		
0230	70233697	. . TEE 1-1/2 SW X 3000# EQUAL SA105	1	EA	00		
0240	70271325	. . REDUCER CONCENTRIC 1-1/2X1 3000# SW SA105	2	EA	00		
0250	95244216	. . ELBOW 1 X90DEG,3000# SW SA105	16	EA	0		
0260	95254512	. . FLANGE SWRF 1IN X 150# SA105	12	EA	0		
0270	70212253	. . GASKET FLANGE 1 X 150#	7	EA	00		
0280	95104196	. . SCREW CAP HEX HEAD 1/2 X 2 LG	32	EA	0		
0290	95077798	. . NUT HEX 1/2 UNC	8	EA	0		
0030	70317466	. . INDICATOR SIGHT FLOW 1IN X 150#	2	E			
0310	97079081	. . VALVE GLOBE 1 X 800#BOLTED BONNET,	2	EA	N3		
0320	95254470	. . FLANGE SWRF 1/2INX 150# SA105	26	EA	0		
0330	94496577	. . GASKET FLANGE 1/2 X 150#	13	EA	N1		

Ref	Item	Description	Qty	UM	Rev	Drawing	ILL#
0340	95104188	. . SCREW CAP HEX HEAD 1/2 X 1-3/4 LG , GR = 5	52	EA	0		
0350	95077798	. . NUT HEX 1/2 UNC	52	EA	0		
0360	95440475	. . TEE REDUCING 1X1X1/2 SW 3000# SA105	8	EA	0		
0370	95244190	. . ELBOW 1/2IN X 90DEG,3000# SW SA105	10	EA	0		
0380	95242517	. . NIPPLE 1/2 X 6 SCH-80 ASTM A106	8	EA	0		
0390	95491601	. . TEE REDUCING 3X3X2 BW SCH-40 A234WPB	2	EA	0		
0400	95254256	. . FLANGE 2INX 150# SORF SA105 C.S.	8	EA	0		
0410	70212337	. . GASKET FLANGE 2 X 150#	6	EA	00		
0420	95104444	. . SCREW CAP HEX HEAD 5/8 X 2-1/2	24	EA	0		
0430	95077814	. . NUT HEX 5/8 UNC	24	EA	0		
0440	70273347	. . INDICATOR SIGHT FLOW 2IN X150#(USE 95457891)	1	EA			
0450	95277125	. . FLANGE 2-1/2 X 150# SORF SA105	4	EA	0		
0470	70212345	. . GASKET FLANGE 2-1/2 X 150#	2	EA	00		
0480	95104451	. . SCREW CAP HEX HEAD 5/8 X 2-3/4	8	EA	0		
0490	95077814	. . NUT HEX 5/8 UNC	8	EA	0		
0500	95492468	. . ELBOW 2 X 90DEG LR.SCH-40 A234 WPB	7	EA	0		
0510	70233390	. . REDUCER CONCENTRIC 2-1/2X2BW SCHASTM A2	2	EA	00		
0520	97078588	. . VALVE GLOBE 2IN 150#	1	EA	00		
0530	70273743	. . PIPE 2IN SCH-40 SEAMLESS SA106 GR-B	20	FT	00		
0540	70423116	. . COUPLING 1 BSP	1	EA	00		
0560	95582672	. . ELBOW 2-1/2 LR B.W.XSCH-40 SA234WPB	1	EA	0		
0570	97097398	. . CLAMP PIPE SUPPORT 3 INCH	6	EA	00		
0580	95104436	. . SCREW CAP HEX HEAD 5/8 X 1-1/2	12	EA	0		
0590	95077814	. . NUT HEX 5/8 UNC	12	EA	0		
0600	97097372	. . CLAMP PIPE SUPPORT 2 INCH	2	EA	00		
0610	95104436	. . SCREW CAP HEX HEAD 5/8 X 1-1/2	4	EA	0		
0620	95077814	. . NUT HEX 5/8 UNC	4	EA	0		
0630	94436318	. . CLAMP PIPE SUPPORT 1-1/2 INCH	2	EA			
0640	95104436	. . SCREW CAP HEX HEAD 5/8 X 1-1/2	4	EA	0		
0650	95077814	. . NUT HEX 5/8 UNC	4	EA	0		
0660	97097364	. . CLAMP PIPE SUPPORT 1 INCH	1	EA	00		
0670	95087409	. . BOLT HEX HEAD 1/2 X 37258	2	EA	0		
0680	95077798	. . NUT HEX 1/2 UNC	2	EA	0		
0690	95446654	. . COUPLING FULL 3/4IN NPTX3000# SA105	3	EA	0		
0120	70418934A	. . ASSEMBLY FILTER, FOOT PC,ELBOW,AIR PPG	1	EA	00		
0010	70431846	. . FILTER AIR, 1000 CFM	1	EA	00		
0040	70203815	. . FOOTPIECE CYLINDER 8 FLANGE	1	EA	01		
0050	70212303	. . GASKET FLANGE 8 X 150#	3	EA	00		
0060	95104683	. . SCREW CAP HEX HEAD 3/4 X 3-1/2	24	EA	0		
0070	95077822	. . NUT HEX 3/4 UNC ESV	24	EA	0		
0080	30253843	. . PLATE SOLE HSE	1	EA	01		
0090	95104642	. . SCREW CAP HEX HEAD 3/4 X 1-3/4	4	EA	0		
0100	30199095	. . SPACER FOOT PIECE	1	EA	01		
0120	95106233	. . FLANGE 8INX 150 # SORF SA105	2	EA	0		
0130	70228994	. . PIPE 8 NB SCH 40 C.S.A106GRB,SEAMLS	10	FT	00		
0130	70448014	. . TUBING DRAIN I/C+A/C IHE5NL PKG	1	EA	00		
0010	70234323	. . TUBE 1/2 ODX.035 THK, SS304 WELDED	20	FT	01		
0020	70435615	. . CONNECTOR MALE 1/2T X 1/2 NPT	20	EA	00		
0030	70435623	. . TEE UNION 1/2T X 1/2T X 1/2T	3	EA	00		
0040	70349725	. . VALVE ISOLATION 1/2IN NPT	4	EA	00		
0050	70416573	. . TRAP AUTO DRAIN TRIDENT 220AC 0-15KG/CM^2G	2	EA	N7		
0060	37073194	. . STRAINER 1/2 IN	2	EA	00		

Ref	Item	Description	Qty	UM	Rev	Drawing	ILL#
0070	95056032	. . REDUCER BUSHING 3/4 NPT X 1/2 NPT	3	EA	0		
0080	95446647	. . COUPLING FULL 1/2IN NPTX3000# SA105	4	EA	0		
0090	70440680	. . CLAMP TUBE 1/2IN WITH BOLT & NUT	10	EA	01		
0010	95033619	. . PLUG PIPE SQ.HD 1/2 NPT CS BLACK	4	E	0		
0140	70446356	. TUBING FOR PRESSURE GAUGES	1	EA	00		
0010	95446647	. . COUPLING FULL 1/2IN NPTX3000# SA105	3	EA	0		
0020	95056032	. . REDUCER BUSHING 3/4 NPT X 1/2 NPT	5	EA	0		
0040	94468212	. . TUBE SS SEAMLESS 3/8X.035	30	FT	00		
0050	70409156	. . ELBOW MALE 3/8T X 3/8 NPT	3	EA	00		
0060	70316633	. . CONNECTOR MALE 3/8T X 1/4 NPT	1	EA	00		
0070	70316583	. . UNION 3/8T X 3/8T	2	EA	00		
0080	70409610	. . CLIP TUBE FOR 2 TUBES 3/8	8	EA	R1		
0090	70409628	. . CLIP TUBE FOR 3 TUBES 3/8	10	EA	R1		
0100	70409636	. . CLIP TUBE FOR 4 TUBES 3/8	6	EA	R1		
0150	94440401G	. GAUGE PRESSURE 4D 0-6KG/CM^2 GLY FLD	2	EA	00		
0160	70274204G	. GAUGE PRESSURE 4D 0-16KG/CM^2 GLY FLD	1	EA	00		
0185	97085740	. THERMOWELL 3/4IN NPT, S.S.	2	EA	00		
0190	94476371	. SWITCH TEMPERATURE 120-215C,5M CAP	2	EA	01		
0210	97071229	. SWITCH PRESSURE 1/4" BSP (F)	1	EA	00		
0220	70448030	. TUBING & CABLING FOR U/L&INSTRUMENT	1	EA	00		
0010	94488376	. . FILTER IN/OUT CONN1/2IN NPTF	1	EA	R1		
0020	70349725	. . VALVE ISOLATION 1/2IN NPT	2	EA	00		
0040	94468212	. . TUBE SS SEAMLESS 3/8X.035	60	FT	00		
0070	70430582	. . TRAY CABLE 4 W X 3 H X 4 FT LONG	2	EA	00		
0090	70430608	. . TRAY CABLE 2 W X 2 H X 2 MT LONG	3	EA	00		
0100	70409610	. . CLIP TUBE FOR 2 TUBES 3/8	2	EA	R1		
0110	70409628	. . CLIP TUBE FOR 3 TUBES 3/8	6	EA	R1		
0120	17261678	. . CABLE CONTROL 2C*1.5SQ.MM,FLEXIBLE	60	M	00		
0130	70316617	. . ELBOW MALE 3/8T X 1/4 NPT	6	EA	00		
0140	70411699	. . TEE REDUCING 3/8 T X 3/8 T X 1/4 NPT	2	EA	00		
0150	95273637	. . CONNECTOR 1/2NPTX3/8TUBE	6	EA	0		
0160	70316633	. . CONNECTOR MALE 3/8T X 1/4 NPT	2	EA	00		
0170	95037958	. . REDUCER BUSHING 1/2NPTX 3/8NPT	2	EA	0		
0180	95002044	. . REDUCER BUSHING 1/2 NPT X 1/4 NPT	4	EA	0		
0190	70316625	. . ELBOW MALE 3/8T X 1/8 NPT	2	EA	00		
0020	17288796S	. COMP IS2 215 SHIPPING	1	EA	00		
0010	97105977	. BOLT FOUNDATION 3/4IN X 22IN	18	EA	01		
0020	95077822	. NUT HEX 3/4 UNC ESV	18	EA	0		
0030	95064739	. WASHER SPRING 3/4 (LIGHT)	18	EA	0		
0040	70365614	. STRAINER Y 3 INCH, 150#	1	EA	00		

Ref	Item	Description	Qty	UM	Rev	Drawing	ILL#
0120	17295510	. . . DAMPENER PULSATION SS304, 0-250 KG/CM2 G	2	EA	00		
0240	70204078NL	. . . ASSEMBLY INTERCOOLER 16&10X7 IHE10 NL	1	EA	00		
0010	70431382	. . . INTERCOOLER 1050CFM,30WP,IHE-10 NL	1	EA	01		
0030	97105415	. . . VALVE SAFETY 2 BSPT X 45#,OPEN TYPE	1	EA	N2		
0040	95002044	. . . REDUCER BUSHING 1/2 NPT X 1/4 NPT	1	EA	0		
0050	94475480	. . . GASKET FLANGE 5 IN. X 150#	1	EA	01		
0060	70212303	. . . GASKET FLANGE 8 X 150#	1	EA	00		
0070	95104659	. . . SCREW CAP HEX HEAD 3/4 X 2-3/4	8	EA	0		
0080	95035457	. . . BOLT HEX HEAD 3/4IN X 2-1/4IN	8	EA	0		
0090	95081055	. . . VALVE GLOBE 3/4INCH NPT BRONZE	1	EA	0		
0100	95049250	. . . NIPPLE 3/4INCH X 4INCH	1	EA	0		
0250	70272075	. . . ASSEMBLY STOP OIL PLATE	1	EA	00	FIG.20	
0010	30253025	. . . PLATE OIL STOP	1	EA	02		63
0020	95235131	. . . CLAMP	1	EA	0		64
0260	94472503	. . . NAMEPLATE SET	1	EA	00		
0040	40036519	. . . NAMEPLATE	2	EA	05		
0050	40074775	. . . PLATE NL INSTRUCTIONS	2	EA	02		
0060	39175070	. . . SCREW MACHINE 0.114" X 0.25"	20	EA	01		
0070	70434857	. . . NAMEPLATE FOR HEAT EXCHANGER	1	EA	03		
0020	95104766	. SCREW CAP HEX HEAD 3/4 X 6	4	EA	0		
0030	95077822	. NUT HEX 3/4 UNC ESV	4	EA	0		
0040	95064739	. WASHER SPRING 3/4 (LIGHT)	4	EA	0		
0050	30608673	. WASHER 3/4IN	4	EA	2		
0060	17292434	. . . ASSEMBLY AFTERCOOLER IHE10 PKG	1	EA			
0010	70461454	. . . AFTERCOOLER VER 1050CFM 125PSI	1	EA	01		
0020	95035465	. . . BOLT HEX HEAD 3/4IN X 2-1/2IN	8	EA	0		
0030	95077822	. . . NUT HEX 3/4 UNC ESV	8	EA	0		
0040	17288481	. . . VALVE SAFETY 1.5" NPT SET AT 140 PSIG	1	EA	00		
0070	17268590	. . . ASSEMBLY AIR PIPING IHE10 PACKAGE	1	EA	0		
0010	70230206	. . . PIPE 5IN SCH-40 SA106 GR B	3	FT	00		
0020	95482956	. . . FLANGE 5INX 150# SORF SERR.SA105	2	EA	0		
0030	94475480	. . . GASKET FLANGE 5 IN. X 150#	2	EA	01		
0040	95104683	. . . SCREW CAP HEX HEAD 3/4 X 3-1/2	16	EA	0		
0050	95077822	. . . NUT HEX 3/4 UNC ESV	16	EA	0		
0060	95596466	. . . ELBOW 5INX90DEG LR BW.SCH40 A234WPB	1	EA	0		
0080	17271651	. . . SKID FOR 16&10X7 IHE10 NL/LUB	1	EA	01		
0090	17292442	. . . ASSEMBLY MOTOR,VBD,3RD BRG ARRANGEMNET IS2 215H	1	EA	00		
0010	17289414	. . . MOTOR ELECTRIC 215HP 3PH (IR MAKE)	1	EA	00		
0020	70424643	. . . SHEAVE V 30IN WITH BUSH & CAP SCREW	1	EA	00		
0030	97109698	. . . BELT SPC4000	6	EA	00		
0040	70446521	. . . PULLEY MOTOR 1312SC0680X170	1	EA	00		
0005	70424767	. . . GUARD BELT FOR IHE10 PKG1 BHUSHAN	1	E	00		
0060	70424718	. . . ASSEMBLY THIRD BRG ARRGMNT IHE10 PKG1	1	EA	00		
0010	97057897	. . . SHAFT ADAPTER FOR PEDESTAL BRG.	1	EA	01		
0020	95275384	. . . STUD 5/8INX3-1/4IN ASTM A307 GR B7	8	EA	0		
0030	95077814	. . . NUT HEX 5/8 UNC	8	EA	0		
0040	95081790	. . . WASHER SPRING 5/8	8	EA	0		
0050	97057905	. . . BLOCK PLUMMER	1	EA	N4		
0060	702332911M	. . . BEARING NTN 22220 BK	1	EA	00		
0070	70220124	. . . SLEEVE ADAPTER/NUT, H320	1	EA	00		
0080	97057939	. . . PLATE BACKUP	1	EA	N4		
0090	70424247	. . . PEDESTAL FABRICATED IHE10 PKG1	1	EA	02		

Ref	Item	Description	Qty	UM	Rev	Drawing	ILL#
0100	95104659	. . . SCREW CAP HEX HEAD 3/4 X 2-3/4	10	EA	0		
0120	70415633	. . . PIN ROLL 3/8 X 2-1/2 LONG	4	EA	00		
0130	95043162	. . . WASHER SPRING 7/8	2	EA	0		
0140	95064739	. . . WASHER SPRING 3/4 (LIGHT)	4	EA	0		
0170	95043162	. . . WASHER SPRING 7/8	4	EA	0		
0190	97057970	. . . SHIM 40 GAUGE IHE	10	EA	N3		
0200	97057988	. . . SHIM 44 GAUGE IHE	10	EA	N1		
0220	70419155	. . . SHIM 20 GAUGE IHE	10	EA	N3		
0230	70419163	. . . SHIM 30 GAUGE IHE	10	EA	N3		
0240	70419171	. . . SHIM 10 GAUGE IHE	10	EA	N3		
0250	70421375	. . . PLATE SIDE	2	EA	N1		
0260	95104949	. . . SCREW CAP HEX HEAD 7/8 X 4-1/2	6	EA	0		
0270	70422035	. . . WASHER 2IN X 1/8 THK	6	EA	00		
0280	95053047	. . . SCREW CAP HEX HEAD 1/2 X 1-1/4 HT	4	EA	0		
0070	70429683	. . SLIDE RAIL 32 FABRICATED	1	ST	01		
0080	95105136	. . SCREW CAP HEX HEAD 1IN X 4IN	8	EA	0		
0090	70422035	. . WASHER 2IN X 1/8 THK	16	EA	00		
0100	17294117	. CONTROL PANEL RELAY BASED 215 HP 6FLT	1	EA	00		
0110	70458252	. ASSEMBLY WATER PIPING IHE10 PKG	1	EA	00		
0010	70230198	. . PIPE 1/2IN SCH-40	20	FT	00		
0020	70411954	. . PIPE 1IN SCH40 SEAMLESS	40	FT	00		
0030	70334479	. . PIPE 1-1/2IN SCH 40 SA106 GR-B	20	FT	00		
0035	70231139	. . PIPE 3IN SCH-40 SEAMLESS SA106 GR-B	20	FT	00		
0040	95254272	. . FLANGE 3 X 150# SORF SERR. SA105	4	EA	0		
0050	94475472	. . GASKET FLANGE 3 X 150# RATING	4	EA	00		
0060	95104451	. . SCREW CAP HEX HEAD 5/8 X 2-3/4	16	EA	0		
0070	95077814	. . NUT HEX 5/8 UNC	16	EA	0		
0080	94449584	. . FLANGE BLIND 3INX 150#	2	EA	00		
0090	95669081	. . TEE REDUCING 3INX 3INX 1-1/2BW SCH.40	3	EA	0		
0100	95254553	. . FLANGE 1-1/2IN X 150# SA105 SWRF	10	EA	0		
0110	70212329	. . GASKET FLANGE 1-1/2 X 150#	5	EA	00		
0120	95104204	. . SCREW CAP HEX HEAD 1/2 X 2-1/4	20	EA	0		
0130	95077798	. . NUT HEX 1/2 UNC	32	EA	0		
0140	95244232	. . ELBOW 1-1/2INX90DEG,3000# SW S	7	EA	0		
0150	70230701	. . NIPPLE PIPE 1-1/2INX 6IN	2	EA	00		
0160	95409256	. . INDICATOR SIGHT FLOW 37257	1	EA	0		
0170	70221262	. . VALVE GLOBE 1-1/2 INCH 800#S.W.	1	EA	N3		
0180	70266879	. . TEE REDUCING 1-1/2X1/2 3000# SW SA105	1	EA	00		
0200	97079065	. . VALVE GLOBE 1/2 X 800#BOLTED BONNE	1	EA	N3		
0210	95446639	. . COUPLING FULL 1/4 NPTX3000# SA105	5	EA	0		
0220	94426210	. . VALVE DRAIN 1/4 NPT	4	EA	02		
0230	70233697	. . TEE 1-1/2 SW X 3000# EQUAL SA105	1	EA	00		
0240	70271325	. . REDUCER CONCENTRIC 1-1/2X1 3000# SW SA105	2	EA	00		
0250	95244216	. . ELBOW 1 X90DEG,3000# SW SA105	16	EA	0		
0260	95254512	. . FLANGE SWRF 1IN X 150# SA105	12	EA	0		
0270	70212253	. . GASKET FLANGE 1 X 150#	7	EA	00		
0280	95104196	. . SCREW CAP HEX HEAD 1/2 X 2 LG	32	EA	0		
0290	95077798	. . NUT HEX 1/2 UNC	8	EA	0		
0030	70317466	. . INDICATOR SIGHT FLOW 1IN X 150#	2	E			
0310	97079081	. . VALVE GLOBE 1 X 800#BOLTED BONNET,	2	EA	N3		
0320	95254470	. . FLANGE SWRF 1/2INX 150# SA105	26	EA	0		
0330	94496577	. . GASKET FLANGE 1/2 X 150#	13	EA	N1		

Ref	Item	Description	Qty	UM	Rev	Drawing	ILL#
0340	95104188	. . SCREW CAP HEX HEAD 1/2 X 1-3/4 LG , GR = 5	52	EA	0		
0350	95077798	. . NUT HEX 1/2 UNC	52	EA	0		
0360	95440475	. . TEE REDUCING 1X1X1/2 SW 3000# SA105	8	EA	0		
0370	95244190	. . ELBOW 1/2IN X 90DEG,3000# SW SA105	10	EA	0		
0380	95242517	. . NIPPLE 1/2 X 6 SCH-80 ASTM A106	8	EA	0		
0390	95491601	. . TEE REDUCING 3X3X2 BW SCH-40 A234WPB	2	EA	0		
0400	95254256	. . FLANGE 2INX 150# SORF SA105 C.S.	8	EA	0		
0410	70212337	. . GASKET FLANGE 2 X 150#	6	EA	00		
0420	95104444	. . SCREW CAP HEX HEAD 5/8 X 2-1/2	24	EA	0		
0430	95077814	. . NUT HEX 5/8 UNC	24	EA	0		
0440	70273347	. . INDICATOR SIGHT FLOW 2IN X150#(USE 95457891)	1	EA			
0450	95277125	. . FLANGE 2-1/2 X 150# SORF SA105	4	EA	0		
0470	70212345	. . GASKET FLANGE 2-1/2 X 150#	2	EA	00		
0480	95104451	. . SCREW CAP HEX HEAD 5/8 X 2-3/4	8	EA	0		
0490	95077814	. . NUT HEX 5/8 UNC	8	EA	0		
0500	95492468	. . ELBOW 2 X 90DEG LR.SCH-40 A234 WPB	7	EA	0		
0510	70233390	. . REDUCER CONCENTRIC 2-1/2X2BW SCHASTM A2	2	EA	00		
0520	97078588	. . VALVE GLOBE 2IN 150#	1	EA	00		
0530	70273743	. . PIPE 2IN SCH-40 SEAMLESS SA106 GR-B	20	FT	00		
0540	70423116	. . COUPLING 1 BSP	1	EA	00		
0560	95582672	. . ELBOW 2-1/2 LR B.W.XSCH-40 SA234WPB	1	EA	0		
0570	97097398	. . CLAMP PIPE SUPPORT 3 INCH	6	EA	00		
0580	95104436	. . SCREW CAP HEX HEAD 5/8 X 1-1/2	12	EA	0		
0590	95077814	. . NUT HEX 5/8 UNC	12	EA	0		
0600	97097372	. . CLAMP PIPE SUPPORT 2 INCH	2	EA	00		
0610	95104436	. . SCREW CAP HEX HEAD 5/8 X 1-1/2	4	EA	0		
0620	95077814	. . NUT HEX 5/8 UNC	4	EA	0		
0630	94436318	. . CLAMP PIPE SUPPORT 1-1/2 INCH	2	EA			
0640	95104436	. . SCREW CAP HEX HEAD 5/8 X 1-1/2	4	EA	0		
0650	95077814	. . NUT HEX 5/8 UNC	4	EA	0		
0660	97097364	. . CLAMP PIPE SUPPORT 1 INCH	1	EA	00		
0670	95087409	. . BOLT HEX HEAD 1/2 X 37258	2	EA	0		
0680	95077798	. . NUT HEX 1/2 UNC	2	EA	0		
0690	95446654	. . COUPLING FULL 3/4IN NPTX3000# SA105	3	EA	0		
0120	70418934A	. . ASSEMBLY FILTER, FOOT PC,ELBOW,AIR PPG	1	EA	00		
0010	70431846	. . FILTER AIR, 1000 CFM	1	EA	00		
0040	70203815	. . FOOTPIECE CYLINDER 8 FLANGE	1	EA	01		
0050	70212303	. . GASKET FLANGE 8 X 150#	3	EA	00		
0060	95104683	. . SCREW CAP HEX HEAD 3/4 X 3-1/2	24	EA	0		
0070	95077822	. . NUT HEX 3/4 UNC ESV	24	EA	0		
0080	30253843	. . PLATE SOLE HSE	1	EA	01		
0090	95104642	. . SCREW CAP HEX HEAD 3/4 X 1-3/4	4	EA	0		
0100	30199095	. . SPACER FOOT PIECE	1	EA	01		
0120	95106233	. . FLANGE 8INX 150 # SORF SA105	2	EA	0		
0130	70228994	. . PIPE 8 NB SCH 40 C.S.A106GRB,SEAMLS	10	FT	00		
0130	70448014	. . TUBING DRAIN I/C+A/C IHE5NL PKG	1	EA	00		
0010	70234323	. . TUBE 1/2 ODX.035 THK, SS304 WELDED	20	FT	01		
0020	70435615	. . CONNECTOR MALE 1/2T X 1/2 NPT	20	EA	00		
0030	70435623	. . TEE UNION 1/2T X 1/2T X 1/2T	3	EA	00		
0040	70349725	. . VALVE ISOLATION 1/2IN NPT	4	EA	00		
0050	70416573	. . TRAP AUTO DRAIN TRIDENT 220AC 0-15KG/CM^2G	2	EA	N7		
0060	37073194	. . STRAINER 1/2 IN	2	EA	00		

Ref	Item	Description	Qty	UM	Rev	Drawing	ILL#
0070	95056032	. . REDUCER BUSHING 3/4 NPT X 1/2 NPT	3	EA	0		
0080	95446647	. . COUPLING FULL 1/2IN NPTX3000# SA105	4	EA	0		
0090	70440680	. . CLAMP TUBE 1/2IN WITH BOLT & NUT	10	EA	01		
0010	95033619	. . PLUG PIPE SQ.HD 1/2 NPT CS BLACK	4	E	0		
0140	70446356	. TUBING FOR PRESSURE GAUGES	1	EA	00		
0010	95446647	. . COUPLING FULL 1/2IN NPTX3000# SA105	3	EA	0		
0020	95056032	. . REDUCER BUSHING 3/4 NPT X 1/2 NPT	5	EA	0		
0040	94468212	. . TUBE SS SEAMLESS 3/8X.035	30	FT	00		
0050	70409156	. . ELBOW MALE 3/8T X 3/8 NPT	3	EA	00		
0060	70316633	. . CONNECTOR MALE 3/8T X 1/4 NPT	1	EA	00		
0070	70316583	. . UNION 3/8T X 3/8T	2	EA	00		
0080	70409610	. . CLIP TUBE FOR 2 TUBES 3/8	8	EA	R1		
0090	70409628	. . CLIP TUBE FOR 3 TUBES 3/8	10	EA	R1		
0100	70409636	. . CLIP TUBE FOR 4 TUBES 3/8	6	EA	R1		
0150	94440401G	. GAUGE PRESSURE 4D 0-6KG/CM ² GLY FLD	2	EA	00		
0160	70274204G	. GAUGE PRESSURE 4D 0-16KG/CM ² GLY FLD	1	EA	00		
0185	97085740	. THERMOWELL 3/4IN NPT, S.S.	2	EA	00		
0190	94476371	. SWITCH TEMPERATURE 120-215C,5M CAP	2	EA	01		
0210	97071229	. SWITCH PRESSURE 1/4" BSP (F)	1	EA	00		
0220	70448030	. TUBING & CABLING FOR U/L&INSTRUMENT	1	EA	00		
0010	94488376	. . FILTER IN/OUT CONN1/2IN NPTF	1	EA	R1		
0020	70349725	. . VALVE ISOLATION 1/2IN NPT	2	EA	00		
0040	94468212	. . TUBE SS SEAMLESS 3/8X.035	60	FT	00		
0070	70430582	. . TRAY CABLE 4 W X 3 H X 4 FT LONG	2	EA	00		
0090	70430608	. . TRAY CABLE 2 W X 2 H X 2 MT LONG	3	EA	00		
0100	70409610	. . CLIP TUBE FOR 2 TUBES 3/8	2	EA	R1		
0110	70409628	. . CLIP TUBE FOR 3 TUBES 3/8	6	EA	R1		
0120	17261678	. . CABLE CONTROL 2C*1.5SQ.MM,FLEXIBLE	60	M	00		
0130	70316617	. . ELBOW MALE 3/8T X 1/4 NPT	6	EA	00		
0140	70411699	. . TEE REDUCING 3/8 T X 3/8 T X 1/4 NPT	2	EA	00		
0150	95273637	. . CONNECTOR 1/2NPTX3/8TUBE	6	EA	0		
0160	70316633	. . CONNECTOR MALE 3/8T X 1/4 NPT	2	EA	00		
0170	95037958	. . REDUCER BUSHING 1/2NPTX 3/8NPT	2	EA	0		
0180	95002044	. . REDUCER BUSHING 1/2 NPT X 1/4 NPT	4	EA	0		
0190	70316625	. . ELBOW MALE 3/8T X 1/8 NPT	2	EA	00		
0020	17288903S	. COMP IS2 215H SHIPPING	1	EA	00		
0010	97105977	. BOLT FOUNDATION 3/4IN X 22IN	18	EA	01		
0020	95077822	. NUT HEX 3/4 UNC ESV	18	EA	0		
0030	95064739	. WASHER SPRING 3/4 (LIGHT)	18	EA	0		
0040	70365614	. STRAINER Y 3 INCH, 150#	1	EA	00		

Ref	Item	Description	Qty	UM	Rev	Drawing	ILL#
0120	17295510	. . . DAMPENER PULSATION SS304, 0-250 KG/CM2 G	2	EA	00		
0240	70204078NL	. . . ASSEMBLY INTERCOOLER 16&10X7 IHE10 NL	1	EA	00		
0010	70431382	. . . INTERCOOLER 1050CFM,30WP,IHE-10 NL	1	EA	01		
0030	97105415	. . . VALVE SAFETY 2 BSPT X 45#,OPEN TYPE	1	EA	N2		
0040	95002044	. . . REDUCER BUSHING 1/2 NPT X 1/4 NPT	1	EA	0		
0050	94475480	. . . GASKET FLANGE 5 IN. X 150#	1	EA	01		
0060	70212303	. . . GASKET FLANGE 8 X 150#	1	EA	00		
0070	95104659	. . . SCREW CAP HEX HEAD 3/4 X 2-3/4	8	EA	0		
0080	95035457	. . . BOLT HEX HEAD 3/4IN X 2-1/4IN	8	EA	0		
0090	95081055	. . . VALVE GLOBE 3/4INCH NPT BRONZE	1	EA	0		
0100	95049250	. . . NIPPLE 3/4INCH X 4INCH	1	EA	0		
0250	70272075	. . . ASSEMBLY STOP OIL PLATE	1	EA	00	FIG.20	
0010	30253025	. . . PLATE OIL STOP	1	EA	02		63
0020	95235131	. . . CLAMP	1	EA	0		64
0260	94472503	. . . NAMEPLATE SET	1	EA	00		
0040	40036519	. . . NAMEPLATE	2	EA	05		
0050	40074775	. . . PLATE NL INSTRUCTIONS	2	EA	02		
0060	39175070	. . . SCREW MACHINE 0.114" X 0.25"	20	EA	01		
0070	70434857	. . . NAMEPLATE FOR HEAT EXCHANGER	1	EA	03		
0020	95104766	. SCREW CAP HEX HEAD 3/4 X 6	4	EA	0		
0030	95077822	. NUT HEX 3/4 UNC ESV	4	EA	0		
0040	95064739	. WASHER SPRING 3/4 (LIGHT)	4	EA	0		
0050	30608673	. WASHER 3/4IN	4	EA	2		
0060	17268582	. ASSEMBLY AFTER COOLER IHE10 PKG	1	EA	0		
0010	70461454	. . . AFTERCOOLER VER 1050CFM 125PSI	1	EA	01		
0020	95035465	. . . BOLT HEX HEAD 3/4IN X 2-1/2IN	8	EA	0		
0030	95077822	. . . NUT HEX 3/4 UNC ESV	8	EA	0		
0040	70461447	. . . VALVE SAFETY 1-1/2IN SET AT 115PSIG	1	EA	00		
0070	17268590	. ASSEMBLY AIR PIPING IHE10 PACKAGE	1	EA	0		
0010	70230206	. . . PIPE 5IN SCH-40 SA106 GR B	3	FT	00		
0020	95482956	. . . FLANGE 5INX 150# SORF SERR.SA105	2	EA	0		
0030	94475480	. . . GASKET FLANGE 5 IN. X 150#	2	EA	01		
0040	95104683	. . . SCREW CAP HEX HEAD 3/4 X 3-1/2	16	EA	0		
0050	95077822	. . . NUT HEX 3/4 UNC ESV	16	EA	0		
0060	95596466	. . . ELBOW 5INX90DEG LR BW.SCH40 A234WPB	1	EA	0		
0080	17271651	. SKID FOR 16&10X7 IHE10 NL/LUB	1	EA	01		
0090	17292574	. ASSEMBLY MOTOR,VBD,3RD BRG ARRANGEMENT IS2 240	1	EA			
0010	17289422	. . . MOTOR ELECTRIC 240HP 3PH (IR MAKE)	1	EA	00		
0020	70424643	. . . SHEAVE V 30IN WITH BUSH & CAP SCREW	1	EA	00		
0030	97070155	. . . BELT V IHE SPC4250	6	EA	00		
0040	17270539	. . . PULLEY MOTOR 1512SC0680X170	1	EA	0		
0005	70424767	. . . GUARD BELT FOR IHE10 PKG1 BHUSHAN	1	E	00		
0060	70424718	. . . ASSEMBLY THIRD BRG ARRGMNT IHE10 PKG1	1	EA	00		
0010	97057897	. . . SHAFT ADAPTER FOR PEDESTAL BRG.	1	EA	01		
0020	95275384	. . . STUD 5/8INX3-1/4IN ASTM A307 GR B7	8	EA	0		
0030	95077814	. . . NUT HEX 5/8 UNC	8	EA	0		
0040	95081790	. . . WASHER SPRING 5/8	8	EA	0		
0050	97057905	. . . BLOCK PLUMMER	1	EA	N4		
0060	702332911M	. . . BEARING NTN 22220 BK	1	EA	00		
0070	70220124	. . . SLEEVE ADAPTER/NUT, H320	1	EA	00		
0080	97057939	. . . PLATE BACKUP	1	EA	N4		
0090	70424247	. . . PEDESTAL FABRICATED IHE10 PKG1	1	EA	02		

Ref	Item	Description	Qty	UM	Rev	Drawing	ILL#
0100	95104659	. . . SCREW CAP HEX HEAD 3/4 X 2-3/4	10	EA	0		
0120	70415633	. . . PIN ROLL 3/8 X 2-1/2 LONG	4	EA	00		
0130	95043162	. . . WASHER SPRING 7/8	2	EA	0		
0140	95064739	. . . WASHER SPRING 3/4 (LIGHT)	4	EA	0		
0170	95043162	. . . WASHER SPRING 7/8	4	EA	0		
0190	97057970	. . . SHIM 40 GAUGE IHE	10	EA	N3		
0200	97057988	. . . SHIM 44 GAUGE IHE	10	EA	N1		
0220	70419155	. . . SHIM 20 GAUGE IHE	10	EA	N3		
0230	70419163	. . . SHIM 30 GAUGE IHE	10	EA	N3		
0240	70419171	. . . SHIM 10 GAUGE IHE	10	EA	N3		
0250	70421375	. . . PLATE SIDE	2	EA	N1		
0260	95104949	. . . SCREW CAP HEX HEAD 7/8 X 4-1/2	6	EA	0		
0270	70422035	. . . WASHER 2IN X 1/8 THK	6	EA	00		
0280	95053047	. . . SCREW CAP HEX HEAD 1/2 X 1-1/4 HT	4	EA	0		
0070	70429683	. . SLIDE RAIL 32 FABRICATED	1	ST	01		
0080	95105136	. . SCREW CAP HEX HEAD 1IN X 4IN	8	EA	0		
0090	70422035	. . WASHER 2IN X 1/8 THK	16	EA	00		
0100	17294109	. CONTROL PANEL RELAY BASED 240HP 6 FLT	1	EA	00		
0110	70458252	. ASSEMBLY WATER PIPING IHE10 PKG	1	EA	00		
0010	70230198	. . PIPE 1/2IN SCH-40	20	FT	00		
0020	70411954	. . PIPE 1IN SCH40 SEAMLESS	40	FT	00		
0030	70334479	. . PIPE 1-1/2IN SCH 40 SA106 GR-B	20	FT	00		
0035	70231139	. . PIPE 3IN SCH-40 SEAMLESS SA106 GR-B	20	FT	00		
0040	95254272	. . FLANGE 3 X 150# SORF SERR. SA105	4	EA	0		
0050	94475472	. . GASKET FLANGE 3 X 150# RATING	4	EA	00		
0060	95104451	. . SCREW CAP HEX HEAD 5/8 X 2-3/4	16	EA	0		
0070	95077814	. . NUT HEX 5/8 UNC	16	EA	0		
0080	94449584	. . FLANGE BLIND 3INX 150#	2	EA	00		
0090	95669081	. . TEE REDUCING 3INX 3INX 1-1/2BW SCH.40	3	EA	0		
0100	95254553	. . FLANGE 1-1/2IN X 150# SA105 SWRF	10	EA	0		
0110	70212329	. . GASKET FLANGE 1-1/2 X 150#	5	EA	00		
0120	95104204	. . SCREW CAP HEX HEAD 1/2 X 2-1/4	20	EA	0		
0130	95077798	. . NUT HEX 1/2 UNC	32	EA	0		
0140	95244232	. . ELBOW 1-1/2INX90DEG,3000# SW S	7	EA	0		
0150	70230701	. . NIPPLE PIPE 1-1/2INX 6IN	2	EA	00		
0160	95409256	. . INDICATOR SIGHT FLOW 37257	1	EA	0		
0170	70221262	. . VALVE GLOBE 1-1/2 INCH 800#S.W.	1	EA	N3		
0180	70266879	. . TEE REDUCING 1-1/2X1/2 3000# SW SA105	1	EA	00		
0200	97079065	. . VALVE GLOBE 1/2 X 800#BOLTED BONNE	1	EA	N3		
0210	95446639	. . COUPLING FULL 1/4 NPTX3000# SA105	5	EA	0		
0220	94426210	. . VALVE DRAIN 1/4 NPT	4	EA	02		
0230	70233697	. . TEE 1-1/2 SW X 3000# EQUAL SA105	1	EA	00		
0240	70271325	. . REDUCER CONCENTRIC 1-1/2X1 3000# SW SA105	2	EA	00		
0250	95244216	. . ELBOW 1 X90DEG,3000# SW SA105	16	EA	0		
0260	95254512	. . FLANGE SWRF 1IN X 150# SA105	12	EA	0		
0270	70212253	. . GASKET FLANGE 1 X 150#	7	EA	00		
0280	95104196	. . SCREW CAP HEX HEAD 1/2 X 2 LG	32	EA	0		
0290	95077798	. . NUT HEX 1/2 UNC	8	EA	0		
0030	70317466	. . INDICATOR SIGHT FLOW 1IN X 150#	2	E			
0310	97079081	. . VALVE GLOBE 1 X 800#BOLTED BONNET,	2	EA	N3		
0320	95254470	. . FLANGE SWRF 1/2INX 150# SA105	26	EA	0		
0330	94496577	. . GASKET FLANGE 1/2 X 150#	13	EA	N1		

Ref	Item	Description	Qty	UM	Rev	Drawing	ILL#
0340	95104188	. . . SCREW CAP HEX HEAD 1/2 X 1-3/4 LG , GR = 5	52	EA	0		
0350	95077798	. . . NUT HEX 1/2 UNC	52	EA	0		
0360	95440475	. . . TEE REDUCING 1X1X1/2 SW 3000# SA105	8	EA	0		
0370	95244190	. . . ELBOW 1/2IN X 90DEG,3000# SW SA105	10	EA	0		
0380	95242517	. . . NIPPLE 1/2 X 6 SCH-80 ASTM A106	8	EA	0		
0390	95491601	. . . TEE REDUCING 3X3X2 BW SCH-40 A234WPB	2	EA	0		
0400	95254256	. . . FLANGE 2INX 150# SORF SA105 C.S.	8	EA	0		
0410	70212337	. . . GASKET FLANGE 2 X 150#	6	EA	00		
0420	95104444	. . . SCREW CAP HEX HEAD 5/8 X 2-1/2	24	EA	0		
0430	95077814	. . . NUT HEX 5/8 UNC	24	EA	0		
0440	70273347	. . . INDICATOR SIGHT FLOW 2IN X150#(USE 95457891)	1	EA			
0450	95277125	. . . FLANGE 2-1/2 X 150# SORF SA105	4	EA	0		
0470	70212345	. . . GASKET FLANGE 2-1/2 X 150#	2	EA	00		
0480	95104451	. . . SCREW CAP HEX HEAD 5/8 X 2-3/4	8	EA	0		
0490	95077814	. . . NUT HEX 5/8 UNC	8	EA	0		
0500	95492468	. . . ELBOW 2 X 90DEG LR.SCH-40 A234 WPB	7	EA	0		
0510	70233390	. . . REDUCER CONCENTRIC 2-1/2X2BW SCHASTM A2	2	EA	00		
0520	97078588	. . . VALVE GLOBE 2IN 150#	1	EA	00		
0530	70273743	. . . PIPE 2IN SCH-40 SEAMLESS SA106 GR-B	20	FT	00		
0540	70423116	. . . COUPLING 1 BSP	1	EA	00		
0560	95582672	. . . ELBOW 2-1/2 LR B.W.XSCH-40 SA234WPB	1	EA	0		
0570	97097398	. . . CLAMP PIPE SUPPORT 3 INCH	6	EA	00		
0580	95104436	. . . SCREW CAP HEX HEAD 5/8 X 1-1/2	12	EA	0		
0590	95077814	. . . NUT HEX 5/8 UNC	12	EA	0		
0600	97097372	. . . CLAMP PIPE SUPPORT 2 INCH	2	EA	00		
0610	95104436	. . . SCREW CAP HEX HEAD 5/8 X 1-1/2	4	EA	0		
0620	95077814	. . . NUT HEX 5/8 UNC	4	EA	0		
0630	94436318	. . . CLAMP PIPE SUPPORT 1-1/2 INCH	2	EA			
0640	95104436	. . . SCREW CAP HEX HEAD 5/8 X 1-1/2	4	EA	0		
0650	95077814	. . . NUT HEX 5/8 UNC	4	EA	0		
0660	97097364	. . . CLAMP PIPE SUPPORT 1 INCH	1	EA	00		
0670	95087409	. . . BOLT HEX HEAD 1/2 X 37258	2	EA	0		
0680	95077798	. . . NUT HEX 1/2 UNC	2	EA	0		
0690	95446654	. . . COUPLING FULL 3/4IN NPTX3000# SA105	3	EA	0		
0120	70418934A	. . . ASSEMBLY FILTER, FOOT PC,ELBOW,AIR PPG	1	EA	00		
0010	70431846	. . . FILTER AIR, 1000 CFM	1	EA	00		
0040	70203815	. . . FOOTPIECE CYLINDER 8 FLANGE	1	EA	01		
0050	70212303	. . . GASKET FLANGE 8 X 150#	3	EA	00		
0060	95104683	. . . SCREW CAP HEX HEAD 3/4 X 3-1/2	24	EA	0		
0070	95077822	. . . NUT HEX 3/4 UNC ESV	24	EA	0		
0080	30253843	. . . PLATE SOLE HSE	1	EA	01		
0090	95104642	. . . SCREW CAP HEX HEAD 3/4 X 1-3/4	4	EA	0		
0100	30199095	. . . SPACER FOOT PIECE	1	EA	01		
0120	95106233	. . . FLANGE 8INX 150 # SORF SA105	2	EA	0		
0130	70228994	. . . PIPE 8 NB SCH 40 C.S.A106GRB,SEAMLS	10	FT	00		
0130	70448014	. . . TUBING DRAIN I/C+A/C IHE5NL PKG	1	EA	00		
0010	70234323	. . . TUBE 1/2 ODX.035 THK, SS304 WELDED	20	FT	01		
0020	70435615	. . . CONNECTOR MALE 1/2T X 1/2 NPT	20	EA	00		
0030	70435623	. . . TEE UNION 1/2T X 1/2T X 1/2T	3	EA	00		
0040	70349725	. . . VALVE ISOLATION 1/2IN NPT	4	EA	00		
0050	70416573	. . . TRAP AUTO DRAIN TRIDENT 220AC 0-15KG/CM^2G	2	EA	N7		
0060	37073194	. . . STRAINER 1/2 IN	2	EA	00		

Ref	Item	Description	Qty	UM	Rev	Drawing	ILL#
0070	95056032	. . REDUCER BUSHING 3/4 NPT X 1/2 NPT	3	EA	0		
0080	95446647	. . COUPLING FULL 1/2IN NPTX3000# SA105	4	EA	0		
0090	70440680	. . CLAMP TUBE 1/2IN WITH BOLT & NUT	10	EA	01		
0010	95033619	. . PLUG PIPE SQ.HD 1/2 NPT CS BLACK	4	E	0		
0140	70446356	. TUBING FOR PRESSURE GAUGES	1	EA	00		
0010	95446647	. . COUPLING FULL 1/2IN NPTX3000# SA105	3	EA	0		
0020	95056032	. . REDUCER BUSHING 3/4 NPT X 1/2 NPT	5	EA	0		
0040	94468212	. . TUBE SS SEAMLESS 3/8X.035	30	FT	00		
0050	70409156	. . ELBOW MALE 3/8T X 3/8 NPT	3	EA	00		
0060	70316633	. . CONNECTOR MALE 3/8T X 1/4 NPT	1	EA	00		
0070	70316583	. . UNION 3/8T X 3/8T	2	EA	00		
0080	70409610	. . CLIP TUBE FOR 2 TUBES 3/8	8	EA	R1		
0090	70409628	. . CLIP TUBE FOR 3 TUBES 3/8	10	EA	R1		
0100	70409636	. . CLIP TUBE FOR 4 TUBES 3/8	6	EA	R1		
0150	94440401G	. GAUGE PRESSURE 4D 0-6KG/CM^2 GLY FLD	2	EA	00		
0160	70274204G	. GAUGE PRESSURE 4D 0-16KG/CM^2 GLY FLD	1	EA	00		
0185	97085740	. THERMOWELL 3/4IN NPT, S.S.	2	EA	00		
0190	94476371	. SWITCH TEMPERATURE 120-215C,5M CAP	2	EA	01		
0210	97071229	. SWITCH PRESSURE 1/4" BSP (F)	1	EA	00		
0220	70448030	. TUBING & CABLING FOR U/L&INSTRUMENT	1	EA	00		
0010	94488376	. . FILTER IN/OUT CONN1/2IN NPTF	1	EA	R1		
0020	70349725	. . VALVE ISOLATION 1/2IN NPT	2	EA	00		
0040	94468212	. . TUBE SS SEAMLESS 3/8X.035	60	FT	00		
0070	70430582	. . TRAY CABLE 4 W X 3 H X 4 FT LONG	2	EA	00		
0090	70430608	. . TRAY CABLE 2 W X 2 H X 2 MT LONG	3	EA	00		
0100	70409610	. . CLIP TUBE FOR 2 TUBES 3/8	2	EA	R1		
0110	70409628	. . CLIP TUBE FOR 3 TUBES 3/8	6	EA	R1		
0120	17261678	. . CABLE CONTROL 2C*1.5SQ.MM,FLEXIBLE	60	M	00		
0130	70316617	. . ELBOW MALE 3/8T X 1/4 NPT	6	EA	00		
0140	70411699	. . TEE REDUCING 3/8 T X 3/8 T X 1/4 NPT	2	EA	00		
0150	95273637	. . CONNECTOR 1/2NPTX3/8TUBE	6	EA	0		
0160	70316633	. . CONNECTOR MALE 3/8T X 1/4 NPT	2	EA	00		
0170	95037958	. . REDUCER BUSHING 1/2NPTX 3/8NPT	2	EA	0		
0180	95002044	. . REDUCER BUSHING 1/2 NPT X 1/4 NPT	4	EA	0		
0190	70316625	. . ELBOW MALE 3/8T X 1/8 NPT	2	EA	00		
0020	17288804S	. COMP IS2 240 SHIPPING	1	EA	00		
0010	97105977	. BOLT FOUNDATION 3/4IN X 22IN	18	EA	01		
0020	95077822	. NUT HEX 3/4 UNC ESV	18	EA	0		
0030	95064739	. WASHER SPRING 3/4 (LIGHT)	18	EA	0		

Ref	Item	Description	Qty	UM	Rev	Drawing	ILL#
0120	17295510	. . . DAMPENER PULSATION SS304, 0-250 KG/CM2 G	2	EA	00		
0240	70204078NL	. . . ASSEMBLY INTERCOOLER 16&10X7 IHE10 NL	1	EA	00		
0010	70431382	. . . INTERCOOLER 1050CFM,30WP,IHE-10 NL	1	EA	01		
0030	97105415	. . . VALVE SAFETY 2 BSPT X 45#,OPEN TYPE	1	EA	N2		
0040	95002044	. . . REDUCER BUSHING 1/2 NPT X 1/4 NPT	1	EA	0		
0050	94475480	. . . GASKET FLANGE 5 IN. X 150#	1	EA	01		
0060	70212303	. . . GASKET FLANGE 8 X 150#	1	EA	00		
0070	95104659	. . . SCREW CAP HEX HEAD 3/4 X 2-3/4	8	EA	0		
0080	95035457	. . . BOLT HEX HEAD 3/4IN X 2-1/4IN	8	EA	0		
0090	95081055	. . . VALVE GLOBE 3/4INCH NPT BRONZE	1	EA	0		
0100	95049250	. . . NIPPLE 3/4INCH X 4INCH	1	EA	0		
0250	70272075	. . . ASSEMBLY STOP OIL PLATE	1	EA	00	FIG.20	
0010	30253025	. . . PLATE OIL STOP	1	EA	02		63
0020	95235131	. . . CLAMP	1	EA	0		64
0260	94472503	. . . NAMEPLATE SET	1	EA	00		
0040	40036519	. . . NAMEPLATE	2	EA	05		
0050	40074775	. . . PLATE NL INSTRUCTIONS	2	EA	02		
0060	39175070	. . . SCREW MACHINE 0.114" X 0.25"	20	EA	01		
0070	70434857	. . . NAMEPLATE FOR HEAT EXCHANGER	1	EA	03		
0020	95104766	. SCREW CAP HEX HEAD 3/4 X 6	4	EA	0		
0030	95077822	. NUT HEX 3/4 UNC ESV	4	EA	0		
0040	95064739	. WASHER SPRING 3/4 (LIGHT)	4	EA	0		
0050	30608673	. WASHER 3/4IN	4	EA	2		
0060	17292434	. . . ASSEMBLY AFTERCOOLER IHE10 PKG	1	EA			
0010	70461454	. . . AFTERCOOLER VER 1050CFM 125PSI	1	EA	01		
0020	95035465	. . . BOLT HEX HEAD 3/4IN X 2-1/2IN	8	EA	0		
0030	95077822	. . . NUT HEX 3/4 UNC ESV	8	EA	0		
0040	17288481	. . . VALVE SAFETY 1.5" NPT SET AT 140 PSIG	1	EA	00		
0070	17268590	. . . ASSEMBLY AIR PIPING IHE10 PACKAGE	1	EA	0		
0010	70230206	. . . PIPE 5IN SCH-40 SA106 GR B	3	FT	00		
0020	95482956	. . . FLANGE 5INX 150# SORF SERR.SA105	2	EA	0		
0030	94475480	. . . GASKET FLANGE 5 IN. X 150#	2	EA	01		
0040	95104683	. . . SCREW CAP HEX HEAD 3/4 X 3-1/2	16	EA	0		
0050	95077822	. . . NUT HEX 3/4 UNC ESV	16	EA	0		
0060	95596466	. . . ELBOW 5INX90DEG LR BW.SCH40 A234WPB	1	EA	0		
0080	17271651	. . . SKID FOR 16&10X7 IHE10 NL/LUB	1	EA	01		
0090	17292582	. . . ASSEMBLY MOTOR,VBD,3RD BRG ARRANGEMENT IS2 240H	1	EA			
0010	17289422	. . . MOTOR ELECTRIC 240HP 3PH (IR MAKE)	1	EA	00		
0020	70424643	. . . SHEAVE V 30IN WITH BUSH & CAP SCREW	1	EA	00		
0030	97109698	. . . BELT SPC4000	6	EA	00		
0040	70333380	. . . PULLEY MOTOR 1500SC0680X170	1	EA	00		
0005	17293796	. . . GUARD BELT FOR IHE-10 NL PKG	1	E	01		
0060	70424718	. . . ASSEMBLY THIRD BRG ARRGMNT IHE10 PKG1	1	EA	00		
0010	97057897	. . . SHAFT ADAPTER FOR PEDESTAL BRG.	1	EA	01		
0020	95275384	. . . STUD 5/8INX3-1/4IN ASTM A307 GR B7	8	EA	0		
0030	95077814	. . . NUT HEX 5/8 UNC	8	EA	0		
0040	95081790	. . . WASHER SPRING 5/8	8	EA	0		
0050	97057905	. . . BLOCK PLUMMER	1	EA	N4		
0060	702332911M	. . . BEARING NTN 22220 BK	1	EA	00		
0070	70220124	. . . SLEEVE ADAPTER/NUT, H320	1	EA	00		
0080	97057939	. . . PLATE BACKUP	1	EA	N4		
0090	70424247	. . . PEDESTAL FABRICATED IHE10 PKG1	1	EA	02		

Ref	Item	Description	Qty	UM	Rev	Drawing	ILL#
0100	95104659	. . . SCREW CAP HEX HEAD 3/4 X 2-3/4	10	EA	0		
0120	70415633	. . . PIN ROLL 3/8 X 2-1/2 LONG	4	EA	00		
0130	95043162	. . . WASHER SPRING 7/8	2	EA	0		
0140	95064739	. . . WASHER SPRING 3/4 (LIGHT)	4	EA	0		
0170	95043162	. . . WASHER SPRING 7/8	4	EA	0		
0190	97057970	. . . SHIM 40 GAUGE IHE	10	EA	N3		
0200	97057988	. . . SHIM 44 GAUGE IHE	10	EA	N1		
0220	70419155	. . . SHIM 20 GAUGE IHE	10	EA	N3		
0230	70419163	. . . SHIM 30 GAUGE IHE	10	EA	N3		
0240	70419171	. . . SHIM 10 GAUGE IHE	10	EA	N3		
0250	70421375	. . . PLATE SIDE	2	EA	N1		
0260	95104949	. . . SCREW CAP HEX HEAD 7/8 X 4-1/2	6	EA	0		
0270	70422035	. . . WASHER 2IN X 1/8 THK	6	EA	00		
0280	95053047	. . . SCREW CAP HEX HEAD 1/2 X 1-1/4 HT	4	EA	0		
0070	70429683	. . SLIDE RAIL 32 FABRICATED	1	ST	01		
0080	95105136	. . SCREW CAP HEX HEAD 1IN X 4IN	8	EA	0		
0090	70422035	. . WASHER 2IN X 1/8 THK	16	EA	00		
0100	17294109	. CONTROL PANEL RELAY BASED 240HP 6 FLT	1	EA	00		
0110	70458252	. ASSEMBLY WATER PIPING IHE10 PKG	1	EA	00		
0010	70230198	. . PIPE 1/2IN SCH-40	20	FT	00		
0020	70411954	. . PIPE 1IN SCH40 SEAMLESS	40	FT	00		
0030	70334479	. . PIPE 1-1/2IN SCH 40 SA106 GR-B	20	FT	00		
0035	70231139	. . PIPE 3IN SCH-40 SEAMLESS SA106 GR-B	20	FT	00		
0040	95254272	. . FLANGE 3 X 150# SORF SERR. SA105	4	EA	0		
0050	94475472	. . GASKET FLANGE 3 X 150# RATING	4	EA	00		
0060	95104451	. . SCREW CAP HEX HEAD 5/8 X 2-3/4	16	EA	0		
0070	95077814	. . NUT HEX 5/8 UNC	16	EA	0		
0080	94449584	. . FLANGE BLIND 3INX 150#	2	EA	00		
0090	95669081	. . TEE REDUCING 3INX 3INX 1-1/2BW SCH.40	3	EA	0		
0100	95254553	. . FLANGE 1-1/2IN X 150# SA105 SWRF	10	EA	0		
0110	70212329	. . GASKET FLANGE 1-1/2 X 150#	5	EA	00		
0120	95104204	. . SCREW CAP HEX HEAD 1/2 X 2-1/4	20	EA	0		
0130	95077798	. . NUT HEX 1/2 UNC	32	EA	0		
0140	95244232	. . ELBOW 1-1/2INX90DEG,3000# SW S	7	EA	0		
0150	70230701	. . NIPPLE PIPE 1-1/2INX 6IN	2	EA	00		
0160	95409256	. . INDICATOR SIGHT FLOW 37257	1	EA	0		
0170	70221262	. . VALVE GLOBE 1-1/2 INCH 800#S.W.	1	EA	N3		
0180	70266879	. . TEE REDUCING 1-1/2X1/2 3000# SW SA105	1	EA	00		
0200	97079065	. . VALVE GLOBE 1/2 X 800#BOLTED BONNE	1	EA	N3		
0210	95446639	. . COUPLING FULL 1/4 NPTX3000# SA105	5	EA	0		
0220	94426210	. . VALVE DRAIN 1/4 NPT	4	EA	02		
0230	70233697	. . TEE 1-1/2 SW X 3000# EQUAL SA105	1	EA	00		
0240	70271325	. . REDUCER CONCENTRIC 1-1/2X1 3000# SW SA105	2	EA	00		
0250	95244216	. . ELBOW 1 X90DEG,3000# SW SA105	16	EA	0		
0260	95254512	. . FLANGE SWRF 1IN X 150# SA105	12	EA	0		
0270	70212253	. . GASKET FLANGE 1 X 150#	7	EA	00		
0280	95104196	. . SCREW CAP HEX HEAD 1/2 X 2 LG	32	EA	0		
0290	95077798	. . NUT HEX 1/2 UNC	8	EA	0		
0030	70317466	. . INDICATOR SIGHT FLOW 1IN X 150#	2	E			
0310	97079081	. . VALVE GLOBE 1 X 800#BOLTED BONNET,	2	EA	N3		
0320	95254470	. . FLANGE SWRF 1/2INX 150# SA105	26	EA	0		
0330	94496577	. . GASKET FLANGE 1/2 X 150#	13	EA	N1		

Ref	Item	Description	Qty	UM	Rev	Drawing	ILL#
0340	95104188	. . SCREW CAP HEX HEAD 1/2 X 1-3/4 LG , GR = 5	52	EA	0		
0350	95077798	. . NUT HEX 1/2 UNC	52	EA	0		
0360	95440475	. . TEE REDUCING 1X1X1/2 SW 3000# SA105	8	EA	0		
0370	95244190	. . ELBOW 1/2IN X 90DEG,3000# SW SA105	10	EA	0		
0380	95242517	. . NIPPLE 1/2 X 6 SCH-80 ASTM A106	8	EA	0		
0390	95491601	. . TEE REDUCING 3X3X2 BW SCH-40 A234WPB	2	EA	0		
0400	95254256	. . FLANGE 2INX 150# SORF SA105 C.S.	8	EA	0		
0410	70212337	. . GASKET FLANGE 2 X 150#	6	EA	00		
0420	95104444	. . SCREW CAP HEX HEAD 5/8 X 2-1/2	24	EA	0		
0430	95077814	. . NUT HEX 5/8 UNC	24	EA	0		
0440	70273347	. . INDICATOR SIGHT FLOW 2IN X150#(USE 95457891)	1	EA			
0450	95277125	. . FLANGE 2-1/2 X 150# SORF SA105	4	EA	0		
0470	70212345	. . GASKET FLANGE 2-1/2 X 150#	2	EA	00		
0480	95104451	. . SCREW CAP HEX HEAD 5/8 X 2-3/4	8	EA	0		
0490	95077814	. . NUT HEX 5/8 UNC	8	EA	0		
0500	95492468	. . ELBOW 2 X 90DEG LR.SCH-40 A234 WPB	7	EA	0		
0510	70233390	. . REDUCER CONCENTRIC 2-1/2X2BW SCHASTM A2	2	EA	00		
0520	97078588	. . VALVE GLOBE 2IN 150#	1	EA	00		
0530	70273743	. . PIPE 2IN SCH-40 SEAMLESS SA106 GR-B	20	FT	00		
0540	70423116	. . COUPLING 1 BSP	1	EA	00		
0560	95582672	. . ELBOW 2-1/2 LR B.W.XSCH-40 SA234WPB	1	EA	0		
0570	97097398	. . CLAMP PIPE SUPPORT 3 INCH	6	EA	00		
0580	95104436	. . SCREW CAP HEX HEAD 5/8 X 1-1/2	12	EA	0		
0590	95077814	. . NUT HEX 5/8 UNC	12	EA	0		
0600	97097372	. . CLAMP PIPE SUPPORT 2 INCH	2	EA	00		
0610	95104436	. . SCREW CAP HEX HEAD 5/8 X 1-1/2	4	EA	0		
0620	95077814	. . NUT HEX 5/8 UNC	4	EA	0		
0630	94436318	. . CLAMP PIPE SUPPORT 1-1/2 INCH	2	EA			
0640	95104436	. . SCREW CAP HEX HEAD 5/8 X 1-1/2	4	EA	0		
0650	95077814	. . NUT HEX 5/8 UNC	4	EA	0		
0660	97097364	. . CLAMP PIPE SUPPORT 1 INCH	1	EA	00		
0670	95087409	. . BOLT HEX HEAD 1/2 X 37258	2	EA	0		
0680	95077798	. . NUT HEX 1/2 UNC	2	EA	0		
0690	95446654	. . COUPLING FULL 3/4IN NPTX3000# SA105	3	EA	0		
0120	70418934A	. . ASSEMBLY FILTER, FOOT PC,ELBOW,AIR PPG	1	EA	00		
0010	70431846	. . FILTER AIR, 1000 CFM	1	EA	00		
0040	70203815	. . FOOTPIECE CYLINDER 8 FLANGE	1	EA	01		
0050	70212303	. . GASKET FLANGE 8 X 150#	3	EA	00		
0060	95104683	. . SCREW CAP HEX HEAD 3/4 X 3-1/2	24	EA	0		
0070	95077822	. . NUT HEX 3/4 UNC ESV	24	EA	0		
0080	30253843	. . PLATE SOLE HSE	1	EA	01		
0090	95104642	. . SCREW CAP HEX HEAD 3/4 X 1-3/4	4	EA	0		
0100	30199095	. . SPACER FOOT PIECE	1	EA	01		
0120	95106233	. . FLANGE 8INX 150 # SORF SA105	2	EA	0		
0130	70228994	. . PIPE 8 NB SCH 40 C.S.A106GRB,SEAMLS	10	FT	00		
0130	70448014	. . TUBING DRAIN I/C+A/C IHE5NL PKG	1	EA	00		
0010	70234323	. . TUBE 1/2 ODX.035 THK, SS304 WELDED	20	FT	01		
0020	70435615	. . CONNECTOR MALE 1/2T X 1/2 NPT	20	EA	00		
0030	70435623	. . TEE UNION 1/2T X 1/2T X 1/2T	3	EA	00		
0040	70349725	. . VALVE ISOLATION 1/2IN NPT	4	EA	00		
0050	70416573	. . TRAP AUTO DRAIN TRIDENT 220AC 0-15KG/CM^2G	2	EA	N7		
0060	37073194	. . STRAINER 1/2 IN	2	EA	00		

Ref	Item	Description	Qty	UM	Rev	Drawing	ILL#
0070	95056032	. . REDUCER BUSHING 3/4 NPT X 1/2 NPT	3	EA	0		
0080	95446647	. . COUPLING FULL 1/2IN NPTX3000# SA105	4	EA	0		
0090	70440680	. . CLAMP TUBE 1/2IN WITH BOLT & NUT	10	EA	01		
0010	95033619	. . PLUG PIPE SQ.HD 1/2 NPT CS BLACK	4	E	0		
0140	70446356	. TUBING FOR PRESSURE GAUGES	1	EA	00		
0010	95446647	. . COUPLING FULL 1/2IN NPTX3000# SA105	3	EA	0		
0020	95056032	. . REDUCER BUSHING 3/4 NPT X 1/2 NPT	5	EA	0		
0040	94468212	. . TUBE SS SEAMLESS 3/8X.035	30	FT	00		
0050	70409156	. . ELBOW MALE 3/8T X 3/8 NPT	3	EA	00		
0060	70316633	. . CONNECTOR MALE 3/8T X 1/4 NPT	1	EA	00		
0070	70316583	. . UNION 3/8T X 3/8T	2	EA	00		
0080	70409610	. . CLIP TUBE FOR 2 TUBES 3/8	8	EA	R1		
0090	70409628	. . CLIP TUBE FOR 3 TUBES 3/8	10	EA	R1		
0100	70409636	. . CLIP TUBE FOR 4 TUBES 3/8	6	EA	R1		
0150	94440401G	. GAUGE PRESSURE 4D 0-6KG/CM ² GLY FLD	2	EA	00		
0160	70274204G	. GAUGE PRESSURE 4D 0-16KG/CM ² GLY FLD	1	EA	00		
0185	97085740	. THERMOWELL 3/4IN NPT, S.S.	2	EA	00		
0190	94476371	. SWITCH TEMPERATURE 120-215C,5M CAP	2	EA	01		
0210	97071229	. SWITCH PRESSURE 1/4" BSP (F)	1	EA	00		
0220	70448030	. TUBING & CABLING FOR U/L&INSTRUMENT	1	EA	00		
0010	94488376	. . FILTER IN/OUT CONN1/2IN NPTF	1	EA	R1		
0020	70349725	. . VALVE ISOLATION 1/2IN NPT	2	EA	00		
0040	94468212	. . TUBE SS SEAMLESS 3/8X.035	60	FT	00		
0070	70430582	. . TRAY CABLE 4 W X 3 H X 4 FT LONG	2	EA	00		
0090	70430608	. . TRAY CABLE 2 W X 2 H X 2 MT LONG	3	EA	00		
0100	70409610	. . CLIP TUBE FOR 2 TUBES 3/8	2	EA	R1		
0110	70409628	. . CLIP TUBE FOR 3 TUBES 3/8	6	EA	R1		
0120	17261678	. . CABLE CONTROL 2C*1.5SQ.MM,FLEXIBLE	60	M	00		
0130	70316617	. . ELBOW MALE 3/8T X 1/4 NPT	6	EA	00		
0140	70411699	. . TEE REDUCING 3/8 T X 3/8 T X 1/4 NPT	2	EA	00		
0150	95273637	. . CONNECTOR 1/2NPTX3/8TUBE	6	EA	0		
0160	70316633	. . CONNECTOR MALE 3/8T X 1/4 NPT	2	EA	00		
0170	95037958	. . REDUCER BUSHING 1/2NPTX 3/8NPT	2	EA	0		
0180	95002044	. . REDUCER BUSHING 1/2 NPT X 1/4 NPT	4	EA	0		
0190	70316625	. . ELBOW MALE 3/8T X 1/8 NPT	2	EA	00		
0020	17288929S	. COMP IS2 240H SHIPPING	1	EA			
0010	97105977	. BOLT FOUNDATION 3/4IN X 22IN	18	EA	01		
0020	95077822	. NUT HEX 3/4 UNC ESV	18	EA	0		
0030	95064739	. WASHER SPRING 3/4 (LIGHT)	18	EA	0		
0040	70365614	. STRAINER Y 3 INCH, 150#	1	EA	00		



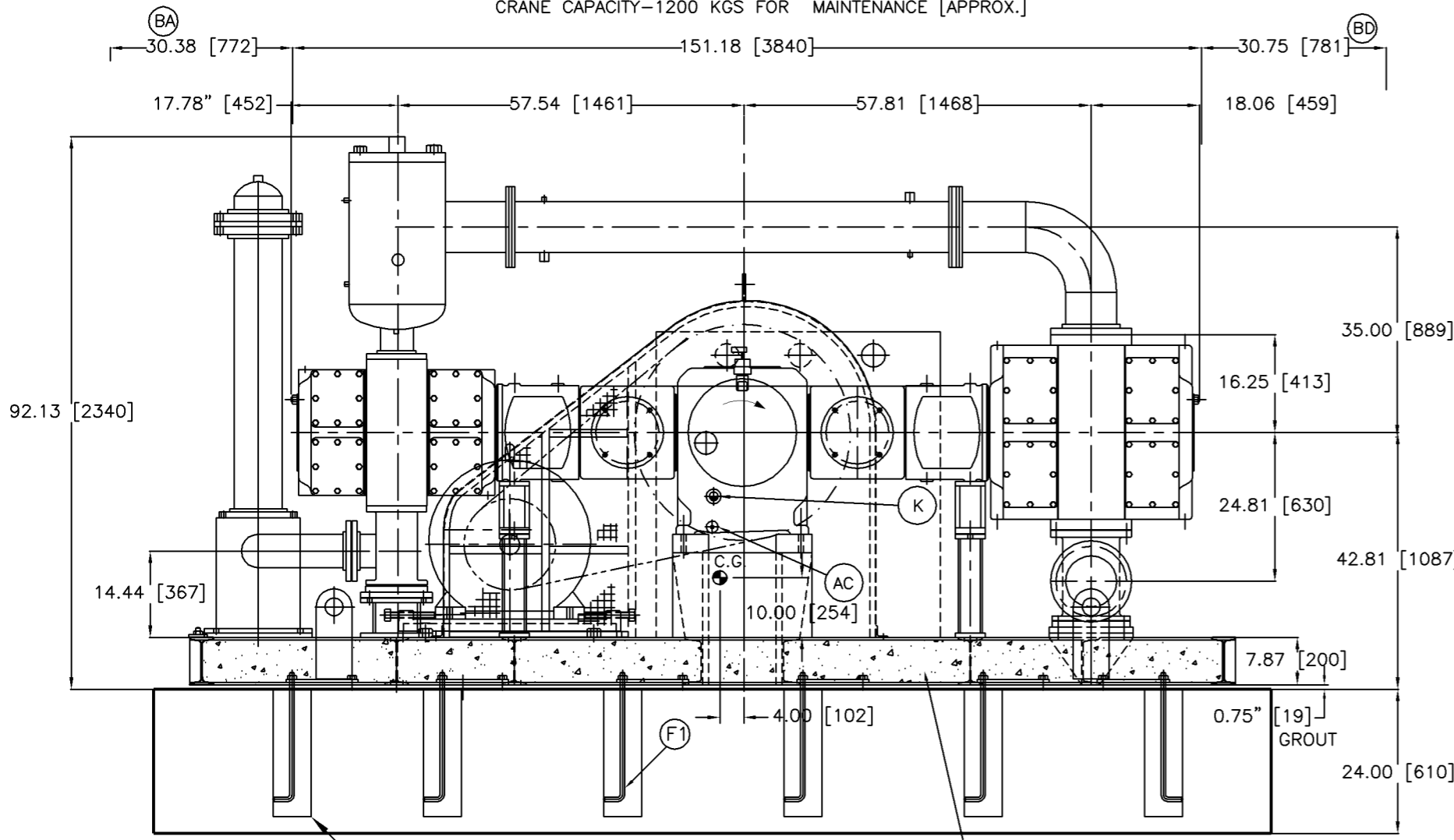
IS2 180
215/215H
240/240H

PRODUCT DRAWINGS

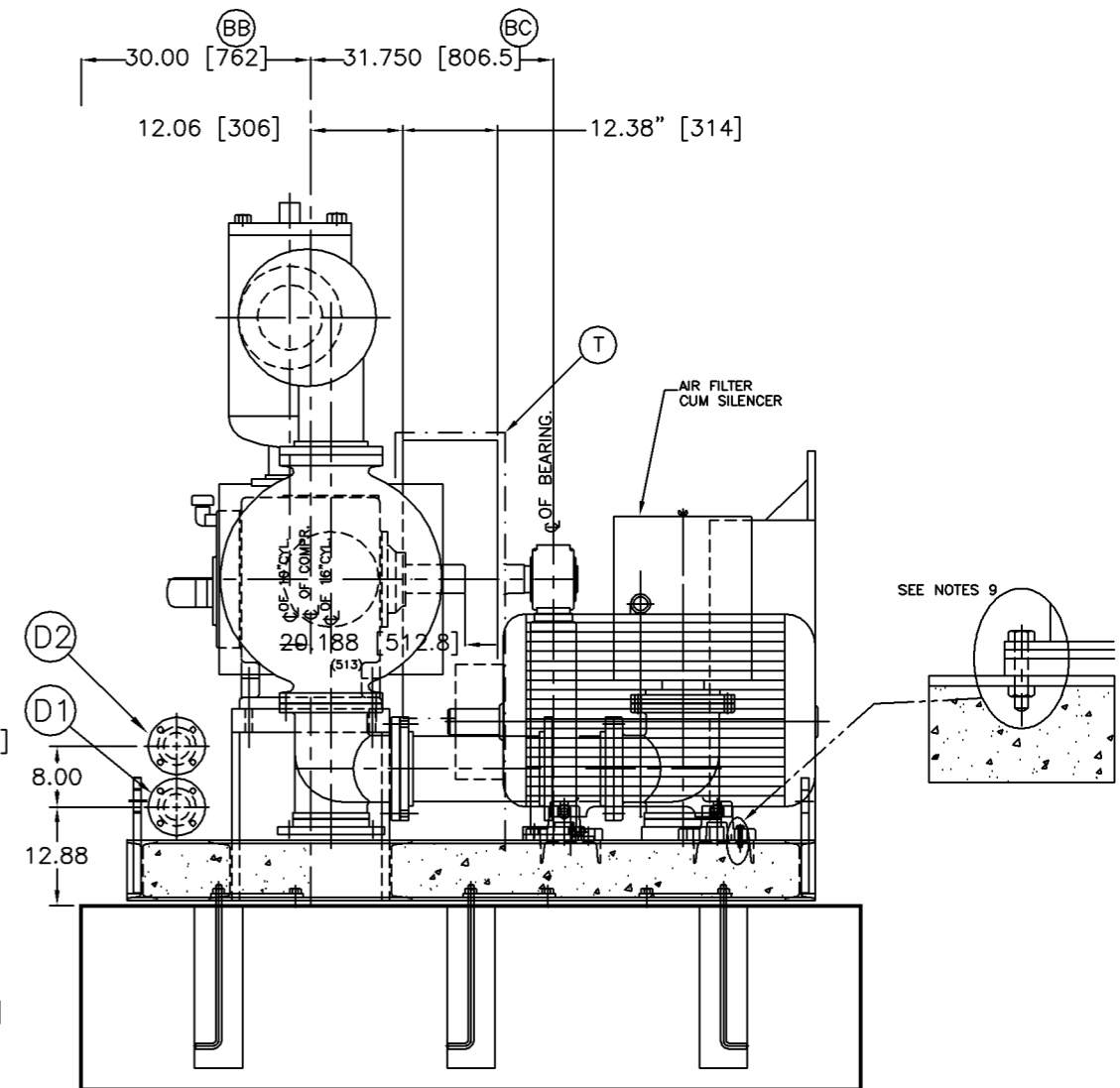
REVISIONS					
REV	ECN	DESCRIPTION	DWN	APV	DATE
00	ENL01763	ORIGINAL RELEASE	JSP	JBR	25JUL06



CRANE CAPACITY-9000 KGS [ERACTION WEIGHT APPROX]
CRANE CAPACITY-1200 KGS FOR MAINTENANCE [APPROX.]



ELEVATION VIEW



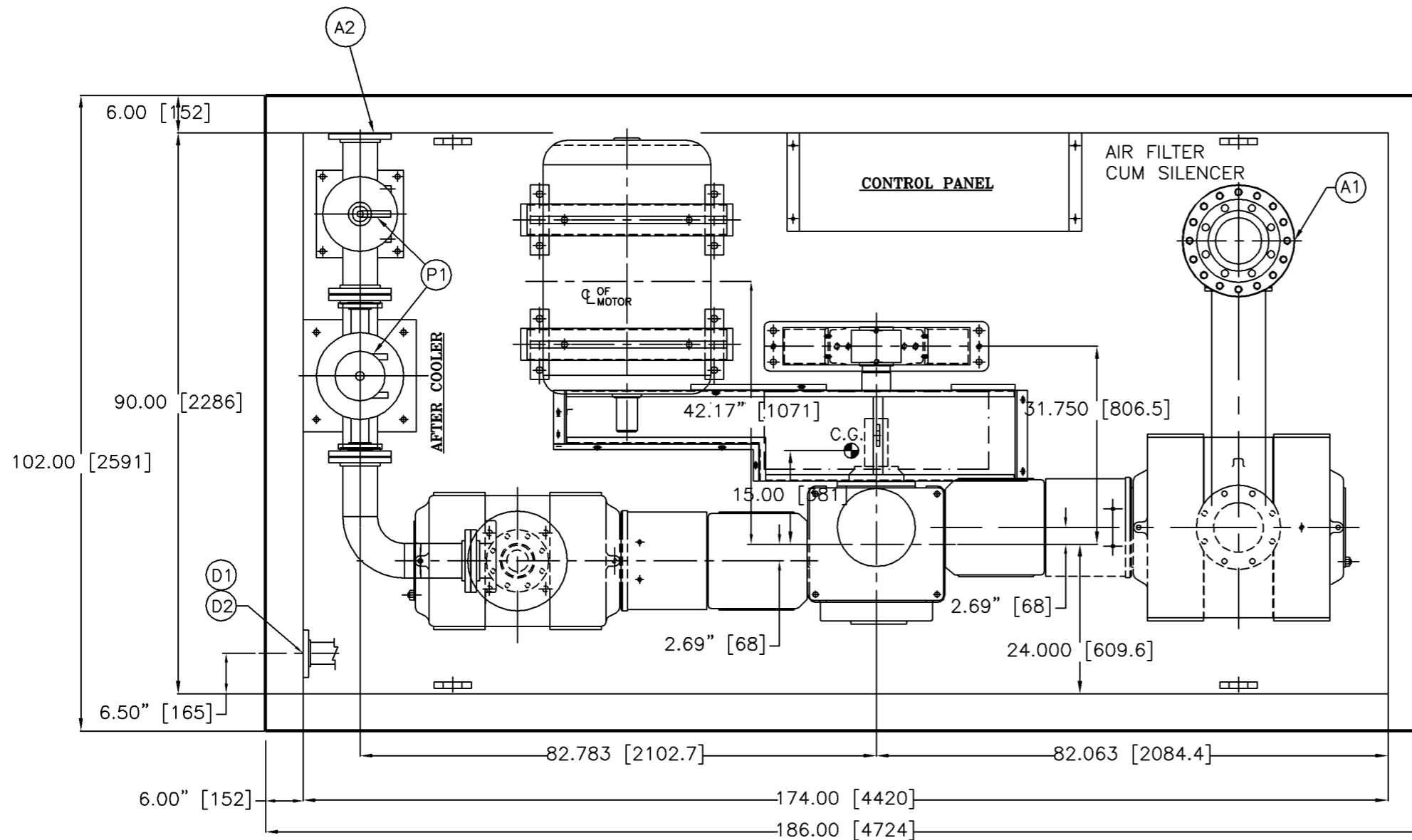
R.H. SIDE VIEW

SPACES REQUIRED TO REMOVE

- [BA] PISTON AND ROD
- [BB] COMPRESSOR CRANKSHAFT
- [BC] COMPRESSOR SHEAVE
- [BD] PISTON AND ROD

COPYRIGHT © 2001 INGERSOLL-RAND COMPANY ALL RIGHTS RESERVED DRAWING CONFORMS TO ASME Y14.5M - 1994 UNLESS OTHERWISE SPECIFIED, ALL DIMENSIONS ARE IN INCHES AND TOLERANCES ON DIMENSIONS ARE AS FOLLOWS: ONE PLACE: (.X) = ±.25 TWO PLACES: (.XX) = ±.12 THREE PLACES: (.XXX) = ±.06 ANGLES: = ±1°	WARNING: THE EXPORT OR REEXPORT OF THIS DRAWING OR A PRODUCT PRODUCED BY THIS DRAWING IS SUBJECT TO U.S. EXPORT ADMINISTRATION REGULATIONS AND OTHER APPLICABLE GOVERNMENTAL RESTRICTIONS OR REGULATIONS. PROPRIETARY NOTICE THIS DOCUMENT CONTAINS CONFIDENTIAL AND TRADE SECRET INFORMATION, IS THE PROPERTY OF INGERSOLL-RAND COMPANY, AND IS GIVEN TO THE RECEIVER IN CONFIDENCE. THE RECEIVER BY RECEPTION AND RETENTION OF THE DOCUMENT ACCEPTS THE DOCUMENT IN CONFIDENCE AND AGREES THAT, EXCEPT AS AUTHORIZED IN WRITING BY INGERSOLL-RAND COMPANY, IT WILL (1) NOT USE THE DOCUMENT OR ANY COPY THEREOF OR THE CONFIDENTIAL OR TRADE SECRET INFORMATION THEREIN; (2) NOT COPY THE DOCUMENT; (3) NOT DISCLOSE TO OTHERS EITHER THE DOCUMENT OR THE CONFIDENTIAL OR TRADE SECRET INFORMATION THEREIN; AND (4) UPON COMPLETION OF THE NEED TO RETAIN THE DOCUMENT, OR UPON DEMAND, RETURN THE DOCUMENT, ALL COPIES THEREOF, AND ALL MATERIAL COPIED THEREFROM.	MICROFILM BLOWBACK SCALE 0 1 in	THIRD ANGLE PROJECTION	DRAWN JSP DATE 25JUL06	INDUSTRIAL AIR SOLUTIONS, HEAVY INDUSTRIAL SYSTEMS NARODA PLANT, AHMEDABAD.
				CHECKED KPN DATE 25JUL06	
APPRVD JBR DATE 25JUL06	TITLE ARRANGEMENT, GENERAL & FOUNDATION DRAWING IS2 180				
CHG. NOS. SCALE 1 : 20 FSCM 6R484	SIZE B ECN ENL01763 DWG NO. 17291014 REV 00				
				WT. REFER TABLE UNIT INDStar	SHEET 1 OF 3

REVISIONS					
REV	ECN	DESCRIPTION	DWN	APV	DATE
00	ENL01763	ORIGINAL RELEASE	JSP	JBR	25JUL06



PLAN VIEW

EQUIPMENT ACCESSORIES & CONNECTION


A1	1st. STAGE SUCTION, 8"-150#, ANSI B 16.5 SORF
A2	AFTER COOLER DISCHARGE CONNECTION, 5"-150#, ANSI B16.5 SORF
C	FRAME OIL DRAIN CONNECTION, 0.5 NPT.
D1	WATER INLET COMMON HEADER, 3"-150#, ANSI B16.5 SORF
D2	WATER OUTLET COMMON HEADER, 3"-150#, ANSI B16.5 SORF
G1	DRAIN CONNECTION FOR A/C, 1/2"NPT
G2	DRAIN CONNECTION FOR I/C 1st STAGE, 1/2"NPT
K	FRAME OIL LEVEL INDICATOR
L	'V'BELT GUARD
R	INTER COOLER SAFETY VALVE, 2.00" BSPT
S	AFTER COOLER SAFETY VALVE, 1.50" NPT
T	CONTROL PANEL

CONFIGURATION: 16 & 10 x 7 PHE7

MOTOR DATA		'V'BELT DRIVE DETAIL *	
RATING	180 HP	QTY. OF BELTS	6 NO.
FRAME	315M	SIZE OF BELTS	SPC-4250
RATED SPEED	1485 RPM	PITCH DIA COMPR. SHEAVE	36"
		COMPR. SPEED R.P.M	590
		GD ² OF COMP. SHEAVE	6400lbs ft ²

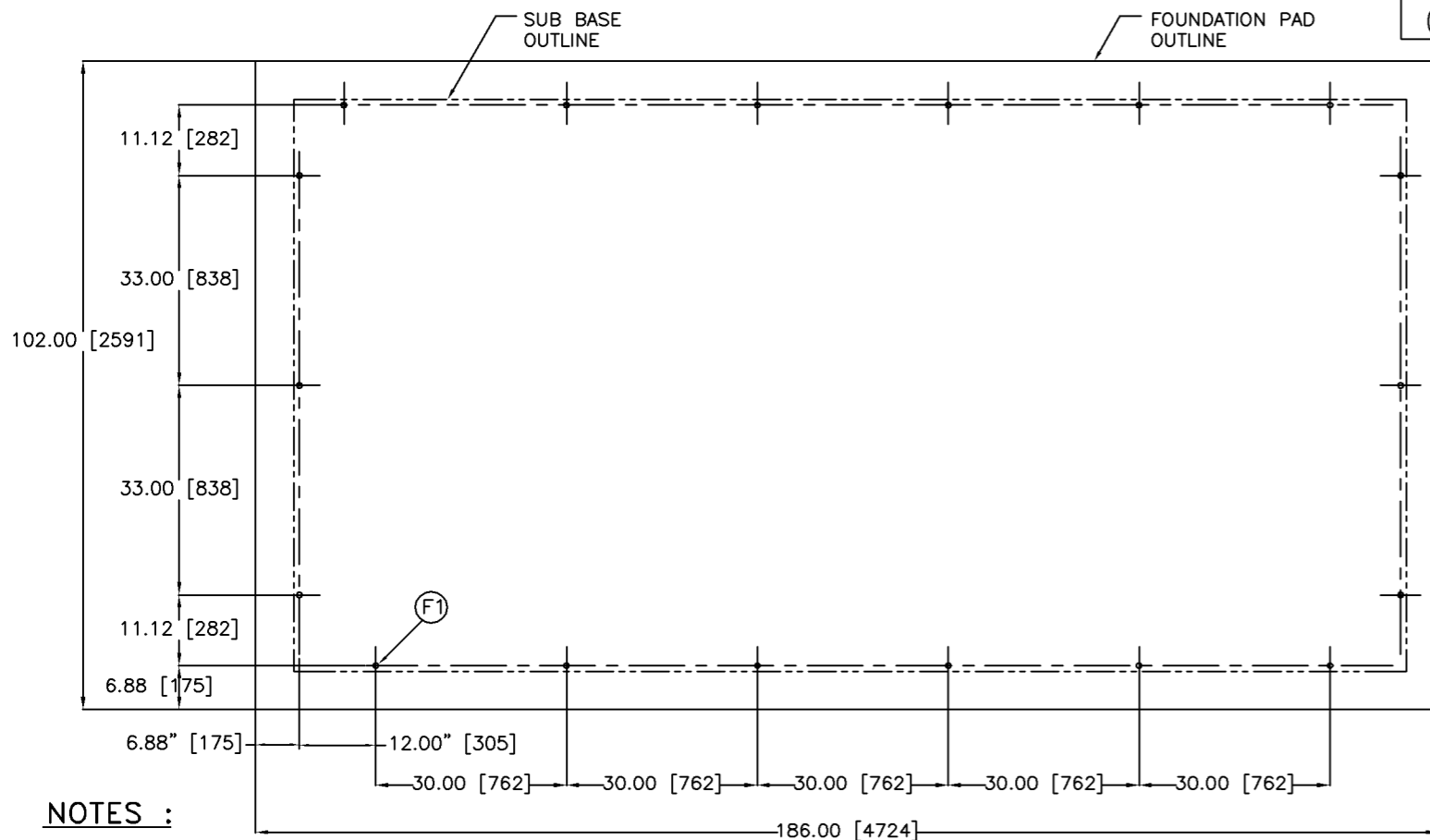
APPROX WEIGHTS kg (LBS)

16" AIREND	1050 KGS. (2310)
10" AIREND	450 KGS. (990)
FRAME & RUNNING GEAR	950 KGS. (2090)
V SHEAVE	500 KGS. (1102)
COOLERS 1st. & 2nd. STG.	865 KGS. (2910)
SKID	2800 KGS. (6160)
PIPING ETC.	400 KGS. (880)
MAIN MOTOR	910 KGS. (2006)
PANEL & GAUGE BOARD	350 KGS. (772)
TOTAL WEIGHT	8275 KGS. (18320)

COPYRIGHT © 2001 INGERSOLL-RAND COMPANY ALL RIGHTS RESERVED DRAWING CONFORMS TO ASME Y14.5M - 1994 UNLESS OTHERWISE SPECIFIED, ALL DIMENSIONS ARE IN INCHES AND TOLERANCES ON DIMENSIONS ARE AS FOLLOWS: ONE PLACE: (.X) = ±.25 TWO PLACES: (.XX) = ±.12 THREE PLACES: (.XXX) = ±.06 ANGLES: = ±1°	WARNING: THE EXPORT OR REEXPORT OF THIS DRAWING OR A PRODUCT PRODUCED BY THIS DRAWING IS SUBJECT TO U.S. EXPORT ADMINISTRATION REGULATIONS AND OTHER APPLICABLE GOVERNMENTAL RESTRICTIONS OR REGULATIONS.	MICROFILM BLOWBACK SCALE 0 1 in	THIRD ANGLE PROJECTION	 INDUSTRIAL AIR SOLUTIONS, HEAVY INDUSTRIAL SYSTEMS NARODA PLANT, AHMEDABAD.			
	PROPRIETARY NOTICE THIS DOCUMENT CONTAINS CONFIDENTIAL AND TRADE SECRET INFORMATION, IS THE PROPERTY OF INGERSOLL-RAND COMPANY, AND IS GIVEN TO THE RECEIVER IN CONFIDENCE. THE RECEIVER BY RECEPTION AND RETENTION OF THE DOCUMENT ACCEPTS THE DOCUMENT IN CONFIDENCE AND AGREES THAT, EXCEPT AS AUTHORIZED IN WRITING BY INGERSOLL-RAND COMPANY, IT WILL (1) NOT USE THE DOCUMENT OR ANY COPY THEREOF OR THE CONFIDENTIAL OR TRADE SECRET INFORMATION THEREIN; (2) NOT COPY THE DOCUMENT; (3) NOT DISCLOSE TO OTHERS EITHER THE DOCUMENT OR THE CONFIDENTIAL OR TRADE SECRET INFORMATION THEREIN; AND (4) UPON COMPLETION OF THE NEED TO RETAIN THE DOCUMENT, OR UPON DEMAND, RETURN THE DOCUMENT, ALL COPIES THEREOF, AND ALL MATERIAL COPIED THEREFROM.	DRAWN DATE JSP 23JUL06 CHECKED KPN 23JUL06 APPRVD JBR 23JUL06 CHG. NOS. SCALE 1 : 20 FSCM 6R484	TITLE ARRANGEMENT, GENERAL & FOUNDATION DRAWING IS2 180				
			WT. REFER TABLE	UNIT INDStar	SHEET 2 OF 3		

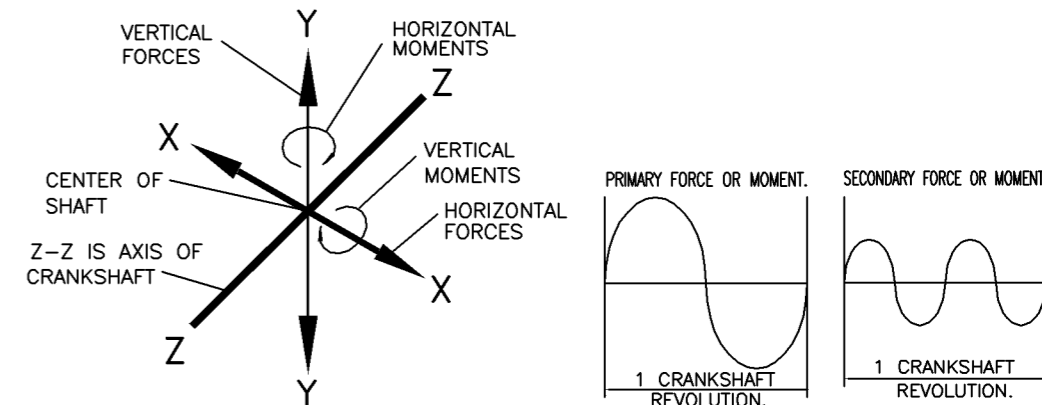
FOUNDATION PLAN

REVISIONS					
REV	ECN	DESCRIPTION	DWN	APV	DATE
00	ENL01763	ORIGINAL RELEASE	JSP	JBR	23JUL06



NOTES :

- DO NOT SCALE THIS DRAWING FOR DIMENSIONS, USE FIGURES GIVEN.
- BE SURE TO READ INSTALLATION INSTRUCTIONS MANUAL BEFORE CASTING THE FOUNDATION.
- FOUNDATION DIMENSIONS SHOWN ARE MINIMUM, SUITABLE ONLY FOR FIRM SOIL BACKED UP BY BEDROCK. WE RECOMMEND THAT YOU INVESTIGATE THE SOIL CONDITION IN THE PROSPECTIVE LOCATION AND IF THERE IS ANY DOUBT REGARDING ITS SUITABILITY, WE URGE CONSULTATION WITH A FOUNDATION EXPERT.
- SPACES FOR GROUT ARE TO BE FILLED IN AFTER LEVELING THE SKID WITH CEMENT GROUTING MATERIAL. REFER IR DRAWINGS 4520B-1 AND W131259 FOR GROUTING IN FRAME AND OTHER ACCESSORIES.
- CUSTOMER TO SUPPORT ALL PIPINGS AS CLOSE AS POSSIBLE BEYOND THE BATTERY LIMITS SUCH THAT FORCES AND MOMENTS DUE TO EXPANSION OR CONTRACTION OR WEIGHTS INTRODUCED AT THE BATTERY LIMITS ARE MINIMUM.
- ALL FLANGE BOLT HOLES STRADDLE TO MAIN CENTERLINES.
- ALL DIMENSIONS ARE IN INCHES. EQUIVALENT mm DIMENSIONS GIVEN IN BRACKETS ARE APPROXIMATE.
- FILL UP THE GROUT IN THE VOID SPACES OF THE ENTIRE SKID UP TO THE TOP LEVEL OF SKID TO MINIMIZE VIBRATION.
- WHILE GROUTING DO NOT FILL GROUT AROUND BASE BOLTS FOR COOLERS, MOTOR SLIDE RAILS, THIRD BEARING PEDESTAL, COMPRESSOR FRAME ETC. FOR SERVICE PURPOSE.
- INTERNAL DIMENSIONS WITHIN SKID (EXCEPT COMPRESSOR BASE DIMENSIONS) MAY BE CHANGED AS BUILT
- APPROXIMATE CENTER OF GRAVITY



UNBALANCED INERTIA FORCES ON FOUNDATION

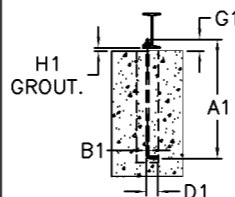
THE FOUNDATION MUST BE DESIGNED TO RESIST THE FOLLOWING FORCES :

- MAXIMUM HORIZONTAL PRIMARY FORCE 0 LBS. (0 kg.)
- MAXIMUM HORIZONTAL SECONDARY FORCE 0 LBS. (0 kg.)
- MAXIMUM VERTICAL PRIMARY FORCE 0 LBS. (0 kg.)
- MAXIMUM VERTICAL SECONDARY FORCE 0 LBS. (0 kg.)
- MAXIMUM HORIZONTAL PRIMARY MOMENT (ABOUT AXIS Y-Y) 3808 LBS.FT (1731 kg.m)
- MAXIMUM HORIZONTAL SECONDARY MOMENT (ABOUT AXIS Y-Y) 672 LBS.FT (308 kg.m)
- MAXIMUM VERTICAL PRIMARY MOMENT (ABOUT AXIS X-X) 1126 LBS.FT (512kg.m)
- MAXIMUM VERTICAL SECONDARY MOMENT (ABOUT AXIS X-X) 0 LBS.FT (0 kg.m)

NOTES :

- 1 : MOMENTS TAKEN ABOUT AXIS THROUGH CENTER OF SHAFT. FORCES TAKEN AS ACTING AT CENTER OF SHAFT.
- 2 : PRIMARY FORCES & MOMENTS CHANGE FROM ZERO TO MAXIMUM GIVEN ABOVE TO ZERO TO SAME MAXIMUM IN REVERSE DIRECTION & BACK TO ZERO ONCE IN A CRANKSHAFT REVOLUTION. SECONDARY FORCES & MOMENTS GO THROUGH THIS CYCLE TWICE IN A REVOLUTION. THE SKETCH SHOWS THIS.

FOUNDATION BOLT DETAIL							
ITEM	LOCATION	QTY.	BOLT			PROJ G1	GROUT H1
			A1	B1	D1		
(F1)	MAIN SKID BASE	18	22.00 (559)	0.750 (19)	4.00 (100)	3.25 (83)	0.750 (19)



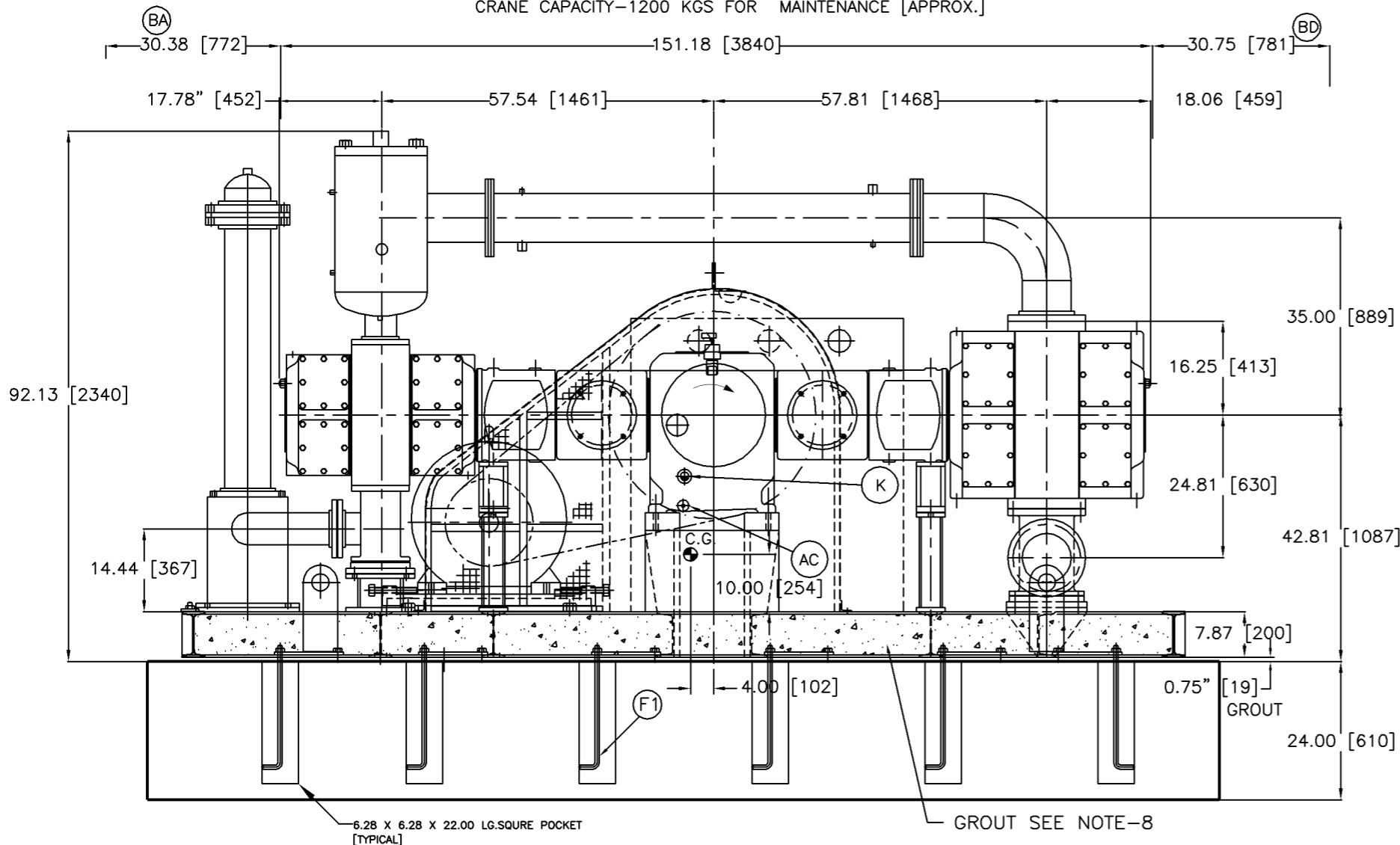
COPYRIGHT © 2001 INGERSOLL-RAND COMPANY ALL RIGHTS RESERVED		WARNING: THE EXPORT OR REEXPORT OF THIS DRAWING OR A PRODUCT PRODUCED BY THIS DRAWING IS SUBJECT TO U.S. EXPORT ADMINISTRATION REGULATIONS AND OTHER APPLICABLE GOVERNMENTAL RESTRICTIONS OR REGULATIONS.		MICROFILM BLOWBACK SCALE 0 1 in		THIRD ANGLE PROJECTION		INDUSTRIAL AIR SOLUTIONS, HEAVY INDUSTRIAL SYSTEMS NARODA PLANT, AHMEDABAD.	
DRAWING CONFORMS TO ASME Y14.5M - 1994		PROPRIETARY NOTICE		DRAWN JSP		DATE 25JUL06		TITLE ARRANGEMENT, GENERAL & FOUNDATION DRAWING IS2 180	
UNLESS OTHERWISE SPECIFIED, ALL DIMENSIONS ARE IN INCHES AND TOLERANCES ON DIMENSIONS ARE AS FOLLOWS: ONE PLACE: (.X) = ±.25 TWO PLACES: (.XX) = ±.12 THREE PLACES: (.XXX) = ±.06 ANGLES: = ±1°		THIS DOCUMENT CONTAINS CONFIDENTIAL AND TRADE SECRET INFORMATION, IS THE PROPERTY OF INGERSOLL-RAND COMPANY, AND IS GIVEN TO THE RECEIVER IN CONFIDENCE. THE RECEIVER BY RECEPTION AND RETENTION OF THE DOCUMENT ACCEPTS THE DOCUMENT IN CONFIDENCE AND AGREES THAT, EXCEPT AS AUTHORIZED IN WRITING BY INGERSOLL-RAND COMPANY, IT WILL (1) NOT USE THE DOCUMENT OR ANY COPY THEREOF OR THE CONFIDENTIAL OR TRADE SECRET INFORMATION THEREIN; (2) NOT COPY THE DOCUMENT; (3) NOT DISCLOSE TO OTHERS EITHER THE DOCUMENT OR THE CONFIDENTIAL OR TRADE SECRET INFORMATION THEREIN; AND (4) UPON COMPLETION OF THE NEED TO RETAIN THE DOCUMENT, OR UPON DEMAND, RETURN THE DOCUMENT, ALL COPIES THEREOF, AND ALL MATERIAL COPIED THEREFROM.		CHECKED KPN		DATE 25JUL06		SIZE B	
				APPRVD JBR		DATE 25JUL06		ECN ENL01763	
				CHG. NOS.				DWG NO. 17291014	
				SCALE 1 : 20				REV 00	
				FSCM 6R484		WT. REFER TABLE		UNIT INDStar	
								SHEET 3 OF 3	

REVISIONS					
REV	ECN	DESCRIPTION	DWN	APV	DATE
00	ENL01763	ORIGINAL RELEASE	JSP	JBR	25JUL06

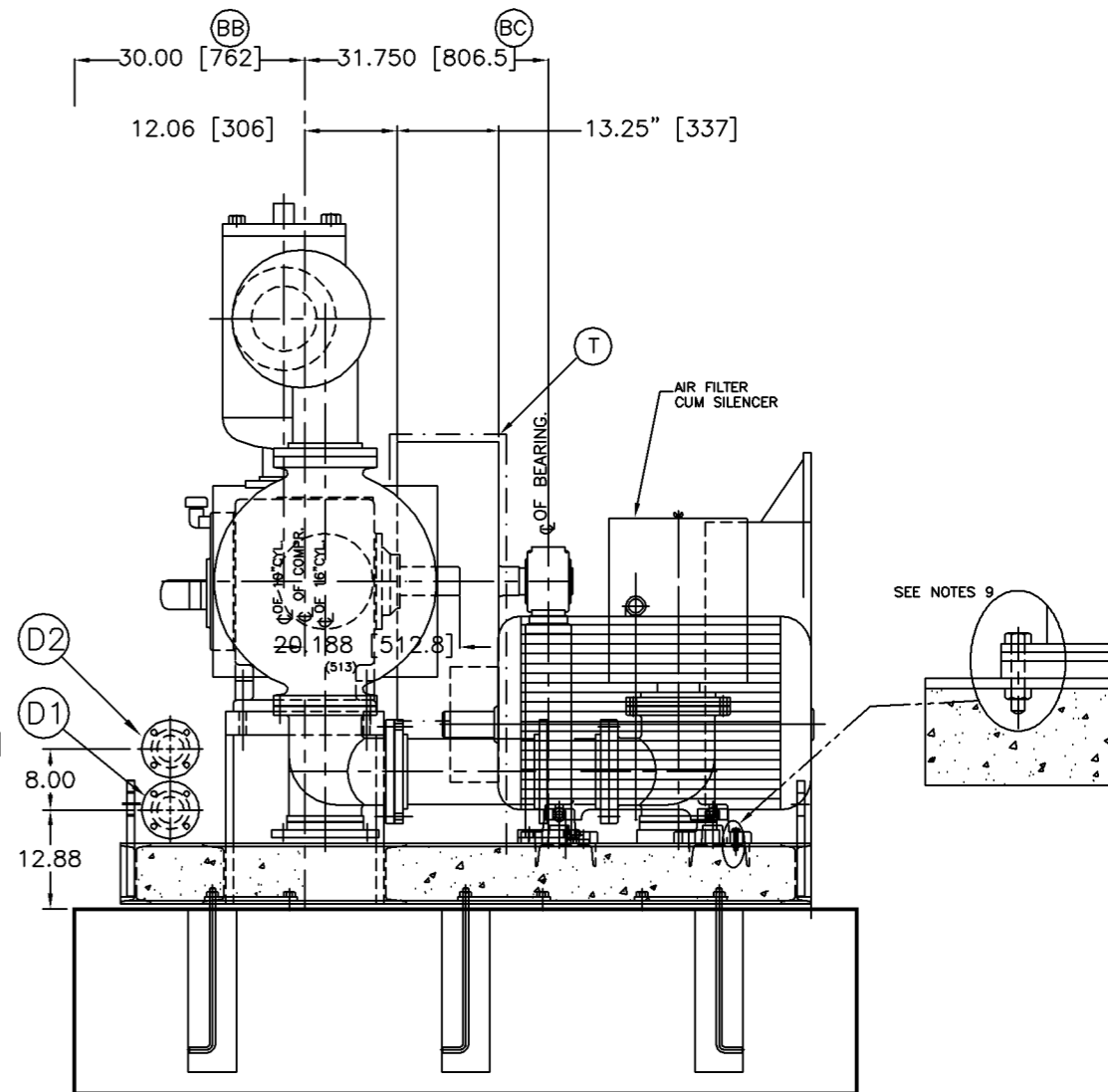


▼3 METER

CRANE CAPACITY-9000 KGS [ERACTION WEIGHT APPROX]
CRANE CAPACITY-1200 KGS FOR MAINTENANCE [APPROX.]



ELEVATION VIEW



R.H. SIDE VIEW

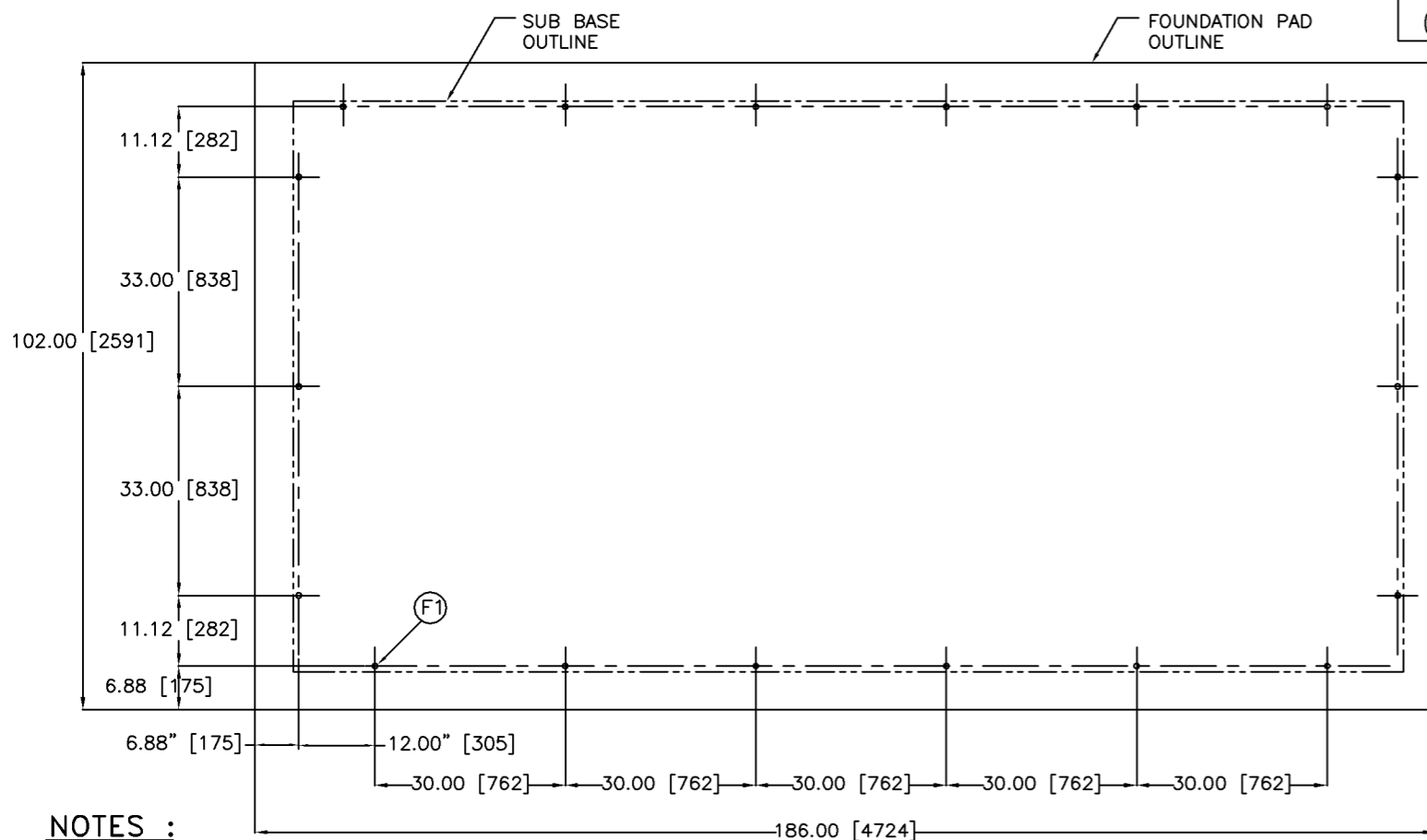
SPACES REQUIRED TO REMOVE

- [BA] PISTON AND ROD
- [BB] COMPRESSOR CRANKSHAFT
- [BC] COMPRESSOR SHEAVE
- [BD] PISTON AND ROD

COPYRIGHT © 2001 INGERSOLL-RAND COMPANY ALL RIGHTS RESERVED	WARNING: THE EXPORT OR REEXPORT OF THIS DRAWING OR A PRODUCT PRODUCED BY THIS DRAWING IS SUBJECT TO U.S. EXPORT ADMINISTRATION REGULATIONS AND OTHER APPLICABLE GOVERNMENTAL RESTRICTIONS OR REGULATIONS.	MICROFILM BLOWBACK SCALE 0 1 in	THIRD ANGLE PROJECTION		INDUSTRIAL AIR SOLUTIONS, HEAVY INDUSTRIAL SYSTEMS NARODA PLANT, AHMEDABAD.				
			DRAWN JSP	DATE 25JUL06		TITLE ARRANGEMENT, GENERAL & FOUNDATION DRAWING IS2 215			
DRAWING CONFORMS TO ASME Y14.5M - 1994	PROPRIETARY NOTICE THIS DOCUMENT CONTAINS CONFIDENTIAL AND TRADE SECRET INFORMATION, IS THE PROPERTY OF INGERSOLL-RAND COMPANY, AND IS GIVEN TO THE RECEIVER IN CONFIDENCE. THE RECEIVER BY RECEPTION AND RETENTION OF THE DOCUMENT ACCEPTS THE DOCUMENT IN CONFIDENCE AND AGREES THAT, EXCEPT AS AUTHORIZED IN WRITING BY INGERSOLL-RAND COMPANY, IT WILL (1) NOT USE THE DOCUMENT OR ANY COPY THEREOF OR THE CONFIDENTIAL OR TRADE SECRET INFORMATION THEREIN; (2) NOT COPY THE DOCUMENT; (3) NOT DISCLOSE TO OTHERS EITHER THE DOCUMENT OR THE CONFIDENTIAL OR TRADE SECRET INFORMATION THEREIN; AND (4) UPON COMPLETION OF THE NEED TO RETAIN THE DOCUMENT, OR UPON DEMAND, RETURN THE DOCUMENT, ALL COPIES THEREOF, AND ALL MATERIAL COPIED THEREFROM.	CHECKED KPN	DATE 25JUL06	SIZE B		ECN ENL01763	DWG NO. 17291022	REV 00	
UNLESS OTHERWISE SPECIFIED, ALL DIMENSIONS ARE IN INCHES AND TOLERANCES ON DIMENSIONS ARE AS FOLLOWS: ONE PLACE: (.X) = ±.25 TWO PLACES: (.XX) = ±.12 THREE PLACES: (.XXX) = ±.06 ANGLES: = ±1°		APPRVD JBR	DATE 25JUL06	SCALE 1 : 20		FSCM 6R484		SHEET 1 OF 3	
		CHG. NOS.			WT. REFER TABLE UNIT INDStar				

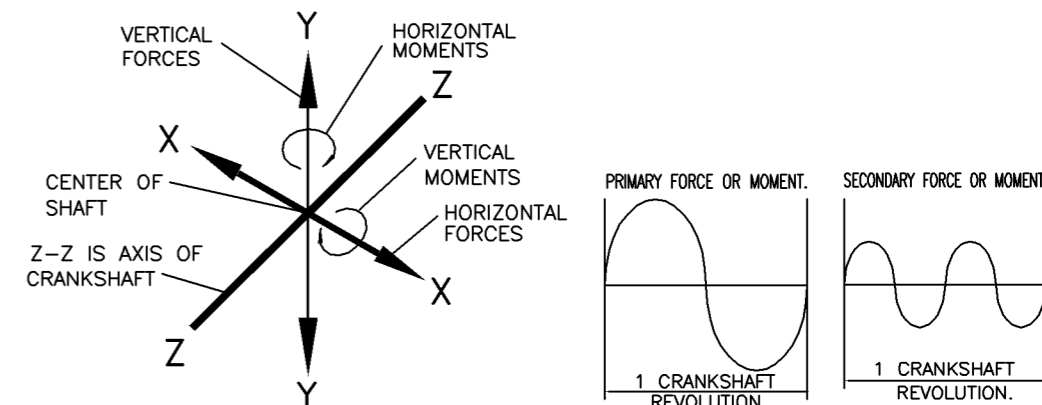
FOUNDATION PLAN

REVISIONS					
REV	ECN	DESCRIPTION	DWN	APV	DATE
00	ENL01763	ORIGINAL RELEASE	JSP	JBR	23JUL06



NOTES :

- DO NOT SCALE THIS DRAWING FOR DIMENSIONS, USE FIGURES GIVEN.
- BE SURE TO READ INSTALLATION INSTRUCTIONS MANUAL BEFORE CASTING THE FOUNDATION.
- FOUNDATION DIMENSIONS SHOWN ARE MINIMUM, SUITABLE ONLY FOR FIRM SOIL BACKED UP BY BEDROCK. WE RECOMMEND THAT YOU INVESTIGATE THE SOIL CONDITION IN THE PROSPECTIVE LOCATION AND IF THERE IS ANY DOUBT REGARDING ITS SUITABILITY, WE URGE CONSULTATION WITH A FOUNDATION EXPERT.
- SPACES FOR GROUT ARE TO BE FILLED IN AFTER LEVELING THE SKID WITH CEMENT GROUTING MATERIAL. REFER IR DRAWINGS 4520B-1 AND W131259 FOR GROUTING IN FRAME AND OTHER ACCESSORIES.
- CUSTOMER TO SUPPORT ALL PIPINGS AS CLOSE AS POSSIBLE BEYOND THE BATTERY LIMITS SUCH THAT FORCES AND MOMENTS DUE TO EXPANSION OR CONTRACTION OR WEIGHTS INTRODUCED AT THE BATTERY LIMITS ARE MINIMUM.
- ALL FLANGE BOLT HOLES STRADDLE TO MAIN CENTERLINES.
- ALL DIMENSIONS ARE IN INCHES. EQUIVALENT mm DIMENSIONS GIVEN IN BRACKETS ARE APPROXIMATE.
- FILL UP THE GROUT IN THE VOID SPACES OF THE ENTIRE SKID UP TO THE TOP LEVEL OF SKID TO MINIMIZE VIBRATION.
- WHILE GROUTING DO NOT FILL GROUT AROUND BASE BOLTS FOR COOLERS, MOTOR SLIDE RAILS, THIRD BEARING PEDESTAL, COMPRESSOR FRAME ETC. FOR SERVICE PURPOSE.
- INTERNAL DIMENSIONS WITHIN SKID (EXCEPT COMPRESSOR BASE DIMENSIONS) MAY BE CHANGED AS BUILT
- APPROXIMATE CENTER OF GRAVITY



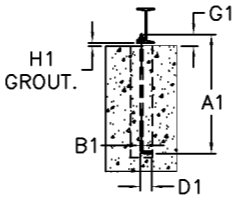
UNBALANCED INERTIA FORCES ON FOUNDATION

THE FOUNDATION MUST BE DESIGNED TO RESIST THE FOLLOWING FORCES :


- MAXIMUM HORIZONTAL PRIMARY FORCE _____ 0 _____ LBS. (0 kg.)
- MAXIMUM HORIZONTAL SECONDARY FORCE _____ 0 _____ LBS. (0 kg.)
- MAXIMUM VERTICAL PRIMARY FORCE _____ 0 _____ LBS. (0 kg.)
- MAXIMUM VERTICAL SECONDARY FORCE _____ 0 _____ LBS. (0 kg.)
- MAXIMUM HORIZONTAL PRIMARY MOMENT (ABOUT AXIS Y-Y) _____ 3808 _____ LBS.FT (1731 kg.m)
- MAXIMUM HORIZONTAL SECONDARY MOMENT (ABOUT AXIS Y-Y) _____ 672 _____ LBS.FT (308 kg.m)
- MAXIMUM VERTICAL PRIMARY MOMENT (ABOUT AXIS X-X) _____ 1126 _____ LBS.FT (512kg.m)
- MAXIMUM VERTICAL SECONDARY MOMENT (ABOUT AXIS X-X) _____ 0 _____ LBS.FT (0 kg.m)

NOTES :

- MOMENTS TAKEN ABOUT AXIS THROUGH CENTER OF SHAFT. FORCES TAKEN AS ACTING AT CENTER OF SHAFT.
- PRIMARY FORCES & MOMENTS CHANGE FROM ZERO TO MAXIMUM GIVEN ABOVE TO ZERO TO SAME MAXIMUM IN REVERSE DIRECTION & BACK TO ZERO ONCE IN A CRANKSHAFT REVOLUTION. SECONDARY FORCES & MOMENTS GO THROUGH THIS CYCLE TWICE IN A REVOLUTION. THE SKETCH SHOWS THIS.



FOUNDATION BOLT DETAIL							
ITEM	LOCATION	QTY.	BOLT			PROJ G1	GROUT H1
			A1	B1	D1		
(F1)	MAIN SKID BASE	18	22.00 (559)	0.750 (19)	4.00 (100)	3.25 (83)	0.750 (19)

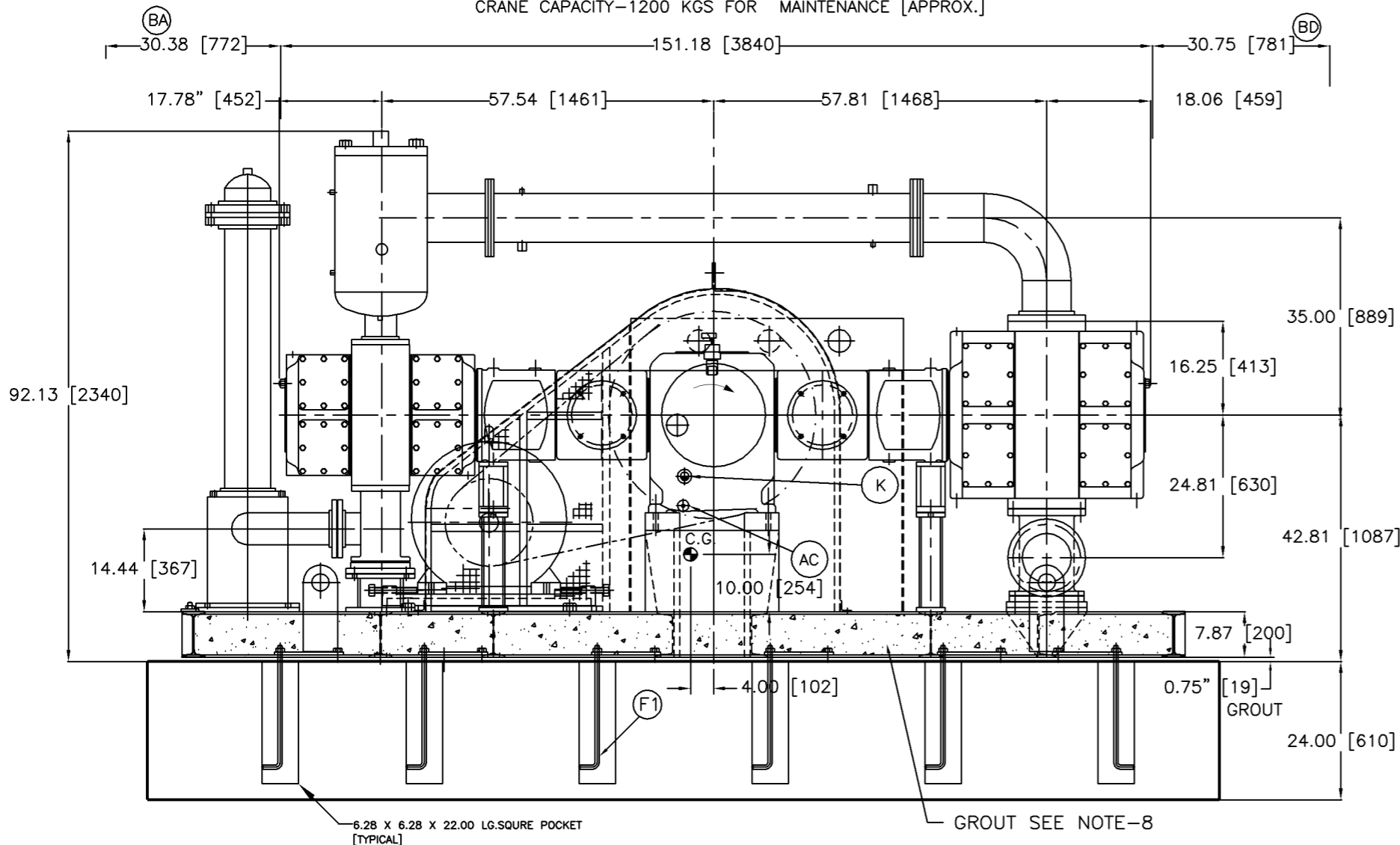
<p>COPYRIGHT© 2001 INGERSOLL-RAND COMPANY ALL RIGHTS RESERVED</p> <p>DRAWING CONFORMS TO ASME Y14.5M - 1994</p> <p>UNLESS OTHERWISE SPECIFIED, ALL DIMENSIONS ARE IN INCHES AND TOLERANCES ON DIMENSIONS ARE AS FOLLOWS:</p> <p>ONE PLACE: (.X) = ±.25 TWO PLACES: (.XX) = ±.12 THREE PLACES: (.XXX) = ±.06 ANGLES: = ±1°</p>	<p>WARNING: THE EXPORT OR REEXPORT OF THIS DRAWING OR A PRODUCT PRODUCED BY THIS DRAWING IS SUBJECT TO U.S EXPORT ADMINISTRATION REGULATIONS AND OTHER APPLICABLE GOVERNMENTAL RESTRICTIONS OR REGULATIONS.</p> <p>MICROFILM BLOWBACK SCALE 0 1 in</p> <p>THIRD ANGLE PROJECTION</p> <p>PROPRIETARY NOTICE</p> <p>THIS DOCUMENT CONTAINS CONFIDENTIAL AND TRADE SECRET INFORMATION, IS THE PROPERTY OF INGERSOLL-RAND COMPANY, AND IS GIVEN TO THE RECEIVER IN CONFIDENCE. THE RECEIVER BY RECEPTION AND RETENTION OF THE DOCUMENT ACCEPTS THE DOCUMENT IN CONFIDENCE AND AGREES THAT, EXCEPT AS AUTHORIZED IN WRITING BY INGERSOLL-RAND COMPANY, IT WILL (1) NOT USE THE DOCUMENT OR ANY COPY THEREOF OR THE CONFIDENTIAL OR TRADE SECRET INFORMATION THEREIN; (2) NOT COPY THE DOCUMENT; (3) NOT DISCLOSE TO OTHERS EITHER THE DOCUMENT OR THE CONFIDENTIAL OR TRADE SECRET INFORMATION THEREIN; AND (4) UPON COMPLETION OF THE NEED TO RETAIN THE DOCUMENT, OR UPON DEMAND, RETURN THE DOCUMENT, ALL COPIES THEREOF, AND ALL MATERIAL COPIED THEREFROM.</p>	<p>DRAWN DATE JSP 25JUL06</p> <p>CHECKED KPN 25JUL06</p> <p>APPRVD JBR 25JUL06</p> <p>CHG. NOS.</p> <p>SCALE 1 : 20</p> <p>FSCM 6R484</p>	 <p>INDUSTRIAL AIR SOLUTIONS, HEAVY INDUSTRIAL SYSTEMS NARODA PLANT, AHMEDABAD.</p> <p>TITLE ARRANGEMENT, GENERAL & FOUNDATION DRAWING IS2 215</p> <p>SIZE B ECN ENL01763 DWG NO. 17291022 REV 00</p> <p>WT. REFER TABLE UNIT INDStar SHEET 3 OF 3</p>
---	--	---	---

REVISIONS					
REV	ECN	DESCRIPTION	DWN	APV	DATE
00	ENL01763	ORIGINAL RELEASE	JSP	JBR	25JUL06

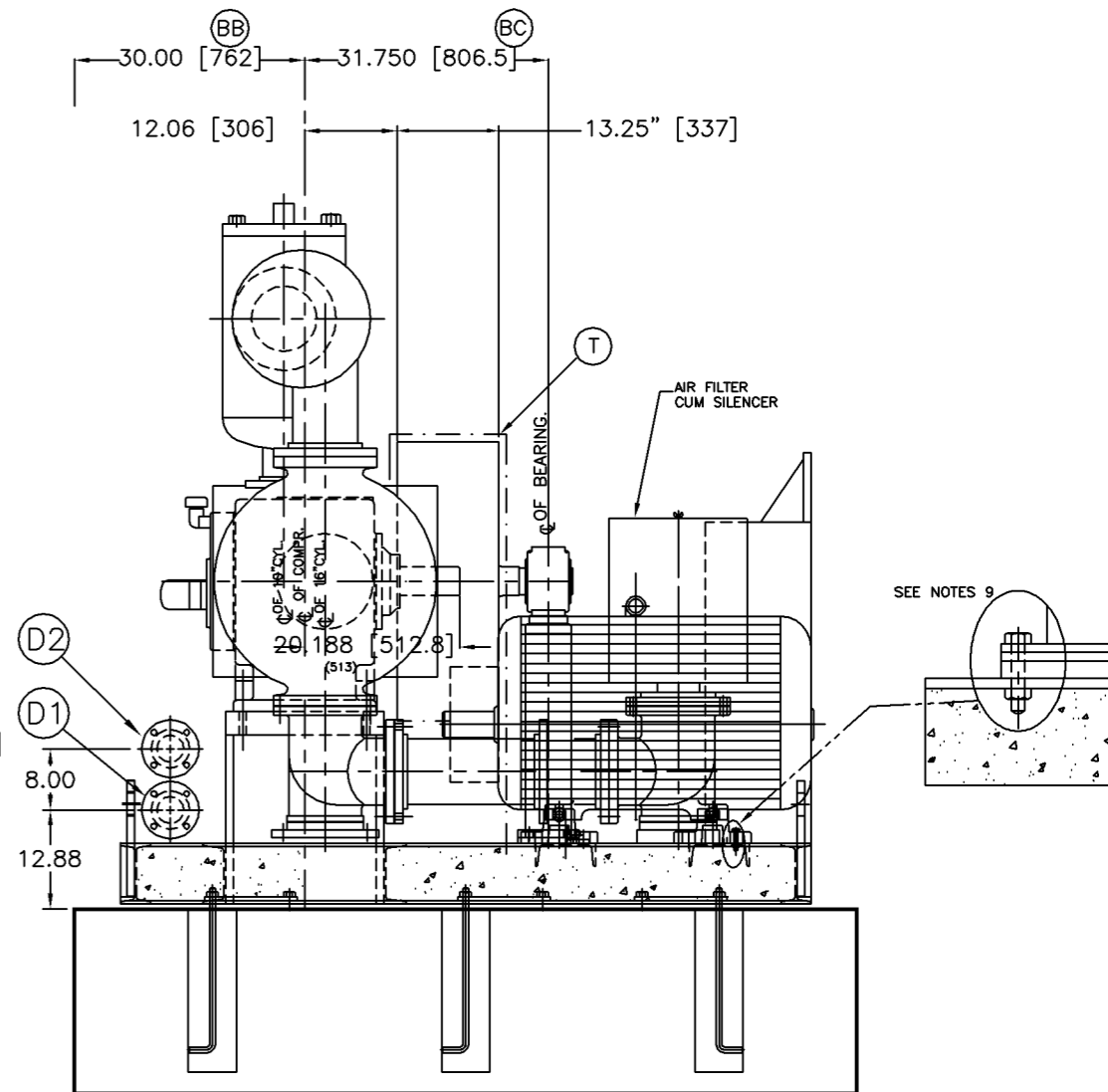


▼3 METER

CRANE CAPACITY-9000 KGS [ERACTION WEIGHT APPROX]
CRANE CAPACITY-1200 KGS FOR MAINTENANCE [APPROX.]



ELEVATION VIEW



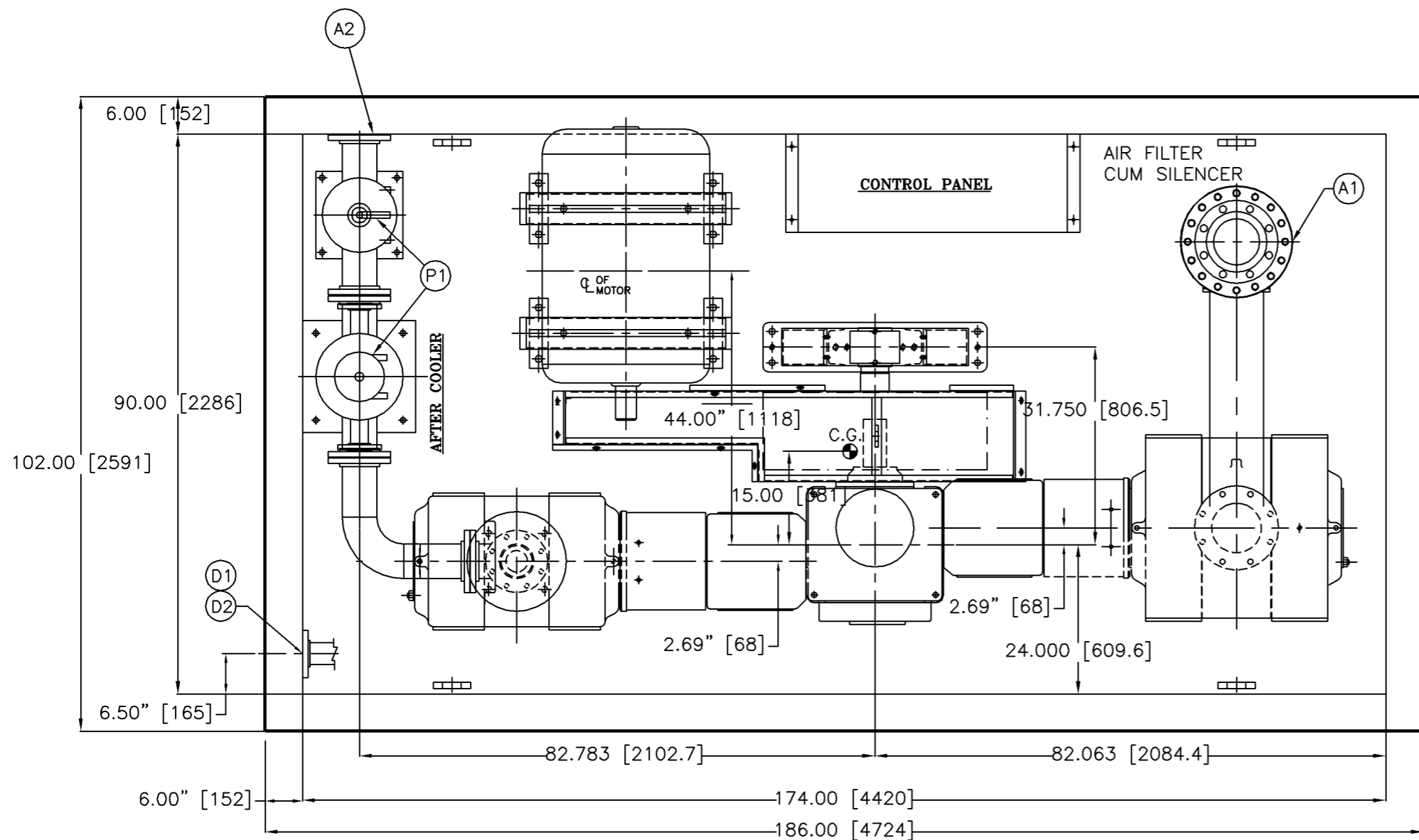
R.H. SIDE VIEW

SPACES REQUIRED TO REMOVE

- [BA] PISTON AND ROD
- [BB] COMPRESSOR CRANKSHAFT
- [BC] COMPRESSOR SHEAVE
- [BD] PISTON AND ROD

COPYRIGHT © 2001 INGERSOLL-RAND COMPANY ALL RIGHTS RESERVED DRAWING CONFORMS TO ASME Y14.5M - 1994 UNLESS OTHERWISE SPECIFIED, ALL DIMENSIONS ARE IN INCHES AND TOLERANCES ON DIMENSIONS ARE AS FOLLOWS: ONE PLACE: (.X) = ±.25 TWO PLACES: (.XX) = ±.12 THREE PLACES: (.XXX) = ±.06 ANGLES: = ±1°	WARNING: THE EXPORT OR REEXPORT OF THIS DRAWING OR A PRODUCT PRODUCED BY THIS DRAWING IS SUBJECT TO U.S. EXPORT ADMINISTRATION REGULATIONS AND OTHER APPLICABLE GOVERNMENTAL RESTRICTIONS OR REGULATIONS.	MICROFILM BLOWBACK SCALE 0 1 in	THIRD ANGLE PROJECTION	INDUSTRIAL AIR SOLUTIONS, HEAVY INDUSTRIAL SYSTEMS NARODA PLANT, AHMEDABAD.		
	PROPRIETARY NOTICE THIS DOCUMENT CONTAINS CONFIDENTIAL AND TRADE SECRET INFORMATION, IS THE PROPERTY OF INGERSOLL-RAND COMPANY, AND IS GIVEN TO THE RECEIVER IN CONFIDENCE. THE RECEIVER BY RECEPTION AND RETENTION OF THE DOCUMENT ACCEPTS THE DOCUMENT IN CONFIDENCE AND AGREES THAT, EXCEPT AS AUTHORIZED IN WRITING BY INGERSOLL-RAND COMPANY, IT WILL (1) NOT USE THE DOCUMENT OR ANY COPY THEREOF OR THE CONFIDENTIAL OR TRADE SECRET INFORMATION THEREIN; (2) NOT COPY THE DOCUMENT; (3) NOT DISCLOSE TO OTHERS EITHER THE DOCUMENT OR THE CONFIDENTIAL OR TRADE SECRET INFORMATION THEREIN; AND (4) UPON COMPLETION OF THE NEED TO RETAIN THE DOCUMENT, OR UPON DEMAND, RETURN THE DOCUMENT, ALL COPIES THEREOF, AND ALL MATERIAL COPIED THEREFROM.	DRAWN DATE JSP 25JUL06 CHECKED KPN 25JUL06 APPRVD JBR 25JUL06 CHG. NOS. SCALE 1 : 20 FSCM 6R484	TITLE ARRANGEMENT, GENERAL & FOUNDATION DRAWING IS2 215H SIZE ECN DWG NO. REV B ENL01763 17291352 00 WT. REFER TABLE UNIT INDStar SHEET 1 OF 3			

REVISIONS					
REV	ECN	DESCRIPTION	DWN	APV	DATE
00	ENL01763	ORIGINAL RELEASE	JSP	JBR	25JUL06



PLAN VIEW

EQUIPMENT ACCESSORIES & CONNECTION

A1	1st. STAGE SUCTION, 8"-150#, ANSI B 16.5 SORF
A2	AFTER COOLER DISCHARGE CONNECTION, 5"-150#, ANSI B16.5 SORF
C	FRAME OIL DRAIN CONNECTION, 0.5 NPT.
D1	WATER INLET COMMON HEADER, 3"-150#, ANSI B16.5 SORF
D2	WATER OUTLET COMMON HEADER, 3"-150#, ANSI B16.5 SORF
G1	DRAIN CONNECTION FOR A/C, 1/2"NPT
G2	DRAIN CONNECTION FOR I/C 1st STAGE, 1/2"NPT
K	FRAME OIL LEVEL INDICATOR
L	'V'BELT GUARD
R	INTER COOLER SAFETY VALVE, 2.00" BSPT
S	AFTER COOLER SAFETY VALVE, 1.50" NPT
T	CONTROL PANEL

CONFIGURATION: 16 & 10 x 7 PHE7

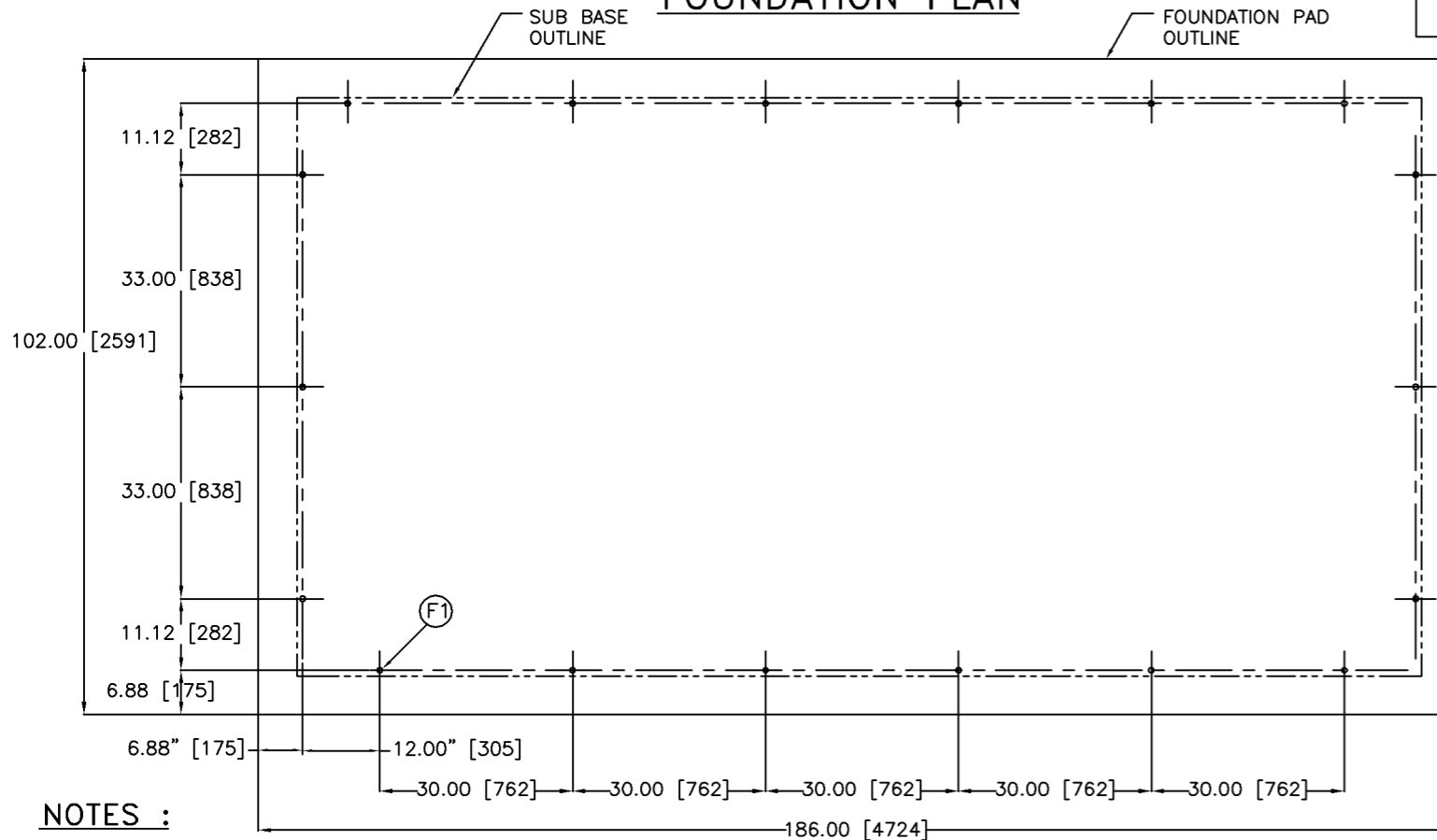
MOTOR DATA		'V'BELT DRIVE DETAIL *	
RATING	215 HP	QTY. OF BELTS	6 NO.
FRAME	315L	SIZE OF BELTS	SPC-4250
RATED SPEED	1485 RPM	PITCH DIA COMPR. SHEAVE	30"
		COMPR. SPEED R.P.M	650
		GD^2 OF COMP. SHEAVE	6400lbs ft^2

APPROX WEIGHTS kg (LBS)

16" AIREND	1050 KGS. (2310)
10" AIREND	450 KGS. (990)
FRAME & RUNNING GEAR	950 KGS. (2090)
V SHEAVE	500 KGS. (1102)
COOLERS 1st. & 2nd. STG.	865 KGS. (2910)
SKID	2800 KGS. (6160)
PIPING ETC.	400 KGS. (880)
MAIN MOTOR	1060 KGS. (2337)
PANEL & GAUGE BOARD	350 KGS. (772)
TOTAL WEIGHT	8420 KGS. (18563)

COPYRIGHT © 2001 INGERSOLL-RAND COMPANY ALL RIGHTS RESERVED DRAWING CONFORMS TO ASME Y14.5M - 1994 UNLESS OTHERWISE SPECIFIED, ALL DIMENSIONS ARE IN INCHES AND TOLERANCES ON DIMENSIONS ARE AS FOLLOWS: ONE PLACE: (.X) = ±.25 TWO PLACES: (.XX) = ±.12 THREE PLACES: (.XXX) = ±.06 ANGLES: = ±1°	WARNING: THE EXPORT OR REEXPORT OF THIS DRAWING OR A PRODUCT PRODUCED BY THIS DRAWING IS SUBJECT TO U.S. EXPORT ADMINISTRATION REGULATIONS AND OTHER APPLICABLE GOVERNMENTAL RESTRICTIONS OR REGULATIONS.	MICROFILM BLOWBACK SCALE 1 in	THIRD ANGLE PROJECTION	INDUSTRIAL AIR SOLUTIONS, HEAVY INDUSTRIAL SYSTEMS NARODA PLANT, AHMEDABAD.
	PROPRIETARY NOTICE THIS DOCUMENT CONTAINS CONFIDENTIAL AND TRADE SECRET INFORMATION, IS THE PROPERTY OF INGERSOLL-RAND COMPANY, AND IS GIVEN TO THE RECEIVER IN CONFIDENCE. THE RECEIVER BY RECEPTION AND RETENTION OF THE DOCUMENT ACCEPTS THE DOCUMENT IN CONFIDENCE AND AGREES THAT, EXCEPT AS AUTHORIZED IN WRITING BY INGERSOLL-RAND COMPANY, IT WILL (1) NOT USE THE DOCUMENT OR ANY COPY THEREOF OR THE CONFIDENTIAL OR TRADE SECRET INFORMATION THEREIN; (2) NOT COPY THE DOCUMENT; (3) NOT DISCLOSE TO OTHERS EITHER THE DOCUMENT OR THE CONFIDENTIAL OR TRADE SECRET INFORMATION THEREIN; AND (4) UPON COMPLETION OF THE NEED TO RETAIN THE DOCUMENT, OR UPON DEMAND, RETURN THE DOCUMENT, ALL COPIES THEREOF, AND ALL MATERIAL COPIED THEREFROM.	DRAWN DATE JSP 23JUL06 CHECKED KPN 23JUL06 APPRVD JBR 23JUL06 CHG. NOS. SCALE 1 : 20 FSCM 6R484	TITLE ARRANGEMENT, GENERAL & FOUNDATION DRAWING IS2 215H SIZE B ECN ENL01763 DWG NO. 17291352 REV 00	

FOUNDATION PLAN

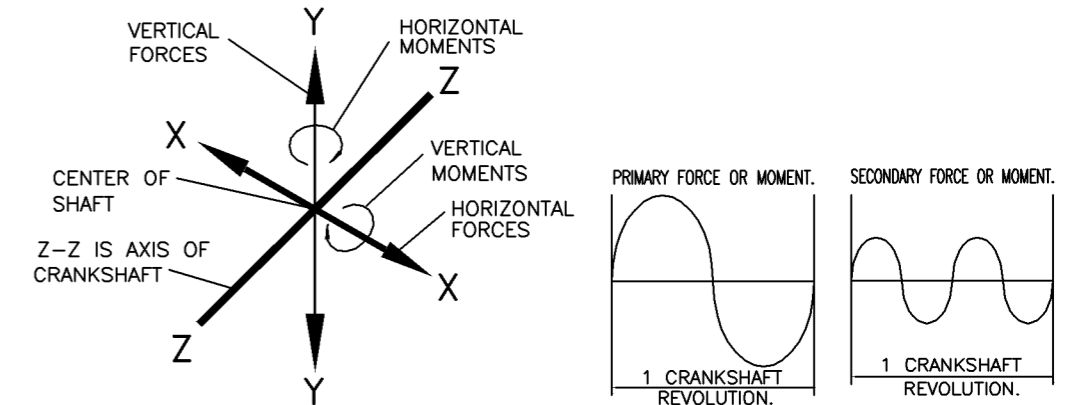


NOTES :

- DO NOT SCALE THIS DRAWING FOR DIMENSIONS, USE FIGURES GIVEN.
- BE SURE TO READ INSTALLATION INSTRUCTIONS MANUAL BEFORE CASTING THE FOUNDATION.
- FOUNDATION DIMENSIONS SHOWN ARE MINIMUM, SUITABLE ONLY FOR FIRM SOIL BACKED UP BY BEDROCK. WE RECOMMEND THAT YOU INVESTIGATE THE SOIL CONDITION IN THE PROSPECTIVE LOCATION AND IF THERE IS ANY DOUBT REGARDING ITS SUITABILITY, WE URGE CONSULTATION WITH A FOUNDATION EXPERT.
- SPACES FOR GROUT ARE TO BE FILLED IN AFTER LEVELING THE SKID WITH CEMENT GROUTING MATERIAL. REFER IR DRAWINGS 4520B-1 AND W131259 FOR GROUTING IN FRAME AND OTHER ACCESSORIES.
- CUSTOMER TO SUPPORT ALL PIPINGS AS CLOSE AS POSSIBLE BEYOND THE BATTERY LIMITS SUCH THAT FORCES AND MOMENTS DUE TO EXPANSION OR CONTRACTION OR WEIGHTS INTRODUCED AT THE BATTERY LIMITS ARE MINIMUM.
- ALL FLANGE BOLT HOLES STRADDLE TO MAIN CENTERLINES.
- ALL DIMENSIONS ARE IN INCHES. EQUIVALENT mm DIMENSIONS GIVEN IN BRACKETS ARE APPROXIMATE.
- FILL UP THE GROUT IN THE VOID SPACES OF THE ENTIRE SKID UP TO THE TOP LEVEL OF SKID TO MINIMIZE VIBRATION.
- WHILE GROUTING DO NOT FILL GROUT AROUND BASE BOLTS FOR COOLERS, MOTOR SLIDE RAILS, THIRD BEARING PEDESTAL, COMPRESSOR FRAME ETC. FOR SERVICE PURPOSE.
- INTERNAL DIMENSIONS WITHIN SKID (EXCEPT COMPRESSOR BASE DIMENSIONS) MAY BE CHANGED AS BUILT

APPROXIMATE CENTER OF GRAVITY

REVISIONS					
REV	ECN	DESCRIPTION	DWN	APV	DATE
00	ENL01763	ORIGINAL RELEASE	JSP	JBR	23JUL06



UNBALANCED INERTIA FORCES ON FOUNDATION

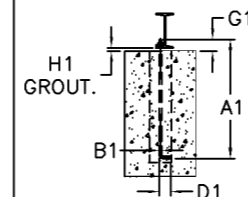
THE FOUNDATION MUST BE DESIGNED TO RESIST THE FOLLOWING FORCES :

- MAXIMUM HORIZONTAL PRIMARY FORCE 0 LBS. (0 kg.)
- MAXIMUM HORIZONTAL SECONDARY FORCE 0 LBS. (0 kg.)
- MAXIMUM VERTICAL PRIMARY FORCE 0 LBS. (0 kg.)
- MAXIMUM VERTICAL SECONDARY FORCE 0 LBS. (0 kg.)
- MAXIMUM HORIZONTAL PRIMARY MOMENT (ABOUT AXIS Y-Y) 3808 LBS.FT (1731 kg.m)
- MAXIMUM HORIZONTAL SECONDARY MOMENT (ABOUT AXIS Y-Y) 672 LBS.FT (308 kg.m)
- MAXIMUM VERTICAL PRIMARY MOMENT (ABOUT AXIS X-X) 1126 LBS.FT (512kg.m)
- MAXIMUM VERTICAL SECONDARY MOMENT (ABOUT AXIS X-X) 0 LBS.FT (0 kg.m)

NOTES :

- MOMENTS TAKEN ABOUT AXIS THROUGH CENTER OF SHAFT. FORCES TAKEN AS ACTING AT CENTER OF SHAFT.
- PRIMARY FORCES & MOMENTS CHANGE FROM ZERO TO MAXIMUM GIVEN ABOVE TO ZERO TO SAME MAXIMUM IN REVERSE DIRECTION & BACK TO ZERO ONCE IN A CRANKSHAFT REVOLUTION. SECONDARY FORCES & MOMENTS GO THROUGH THIS CYCLE TWICE IN A REVOLUTION. THE SKETCH SHOWS THIS.

FOUNDATION BOLT DETAIL							
ITEM	LOCATION	QTY.	BOLT			PROJ G1	GROUT H1
			A1	B1	D1		
(F1)	MAIN SKID BASE	18	22.00 (559)	0.750 (19)	4.00 (100)	3.25 (83)	0.750 (19)



COPYRIGHT © 2001 INGERSOLL-RAND COMPANY ALL RIGHTS RESERVED		WARNING: THE EXPORT OR REEXPORT OF THIS DRAWING OR A PRODUCT PRODUCED BY THIS DRAWING IS SUBJECT TO U.S. EXPORT ADMINISTRATION REGULATIONS AND OTHER APPLICABLE GOVERNMENTAL RESTRICTIONS OR REGULATIONS.		MICROFILM BLOWBACK SCALE 0 1 in		THIRD ANGLE PROJECTION		INDUSTRIAL AIR SOLUTIONS, HEAVY INDUSTRIAL SYSTEMS NARODA PLANT, AHMEDABAD.	
DRAWING CONFORMS TO ASME Y14.5M - 1994		PROPRIETARY NOTICE		DRAWN DATE JSP 25JUL06		CHECKED KPN 25JUL06		TITLE ARRANGEMENT, GENERAL & FOUNDATION DRAWING IS2 215H	
UNLESS OTHERWISE SPECIFIED, ALL DIMENSIONS ARE IN INCHES AND TOLERANCES ON DIMENSIONS ARE AS FOLLOWS: ONE PLACE: (.X) = ±.25 TWO PLACES: (.XX) = ±.12 THREE PLACES: (.XXX) = ±.06 ANGLES: = ±1°		THIS DOCUMENT CONTAINS CONFIDENTIAL AND TRADE SECRET INFORMATION, IS THE PROPERTY OF INGERSOLL-RAND COMPANY, AND IS GIVEN TO THE RECEIVER IN CONFIDENCE. THE RECEIVER BY RECEPTION AND RETENTION OF THE DOCUMENT ACCEPTS THE DOCUMENT IN CONFIDENCE AND AGREES THAT, EXCEPT AS AUTHORIZED IN WRITING BY INGERSOLL-RAND COMPANY, IT WILL (1) NOT USE THE DOCUMENT OR ANY COPY THEREOF OR THE CONFIDENTIAL OR TRADE SECRET INFORMATION THEREIN; (2) NOT COPY THE DOCUMENT; (3) NOT DISCLOSE TO OTHERS EITHER THE DOCUMENT OR THE CONFIDENTIAL OR TRADE SECRET INFORMATION THEREIN; AND (4) UPON COMPLETION OF THE NEED TO RETAIN THE DOCUMENT, OR UPON DEMAND, RETURN THE DOCUMENT, ALL COPIES THEREOF, AND ALL MATERIAL COPIED THEREFROM.		APPRVD JBR 25JUL06		CHG. NOS.		SIZE ECN DWG NO. REV B ENL01763 17291352 00	
		SCALE 1 : 20		FSCM 6R484		WT. REFER TABLE UNIT INDStar		SHEET 3 OF 3	

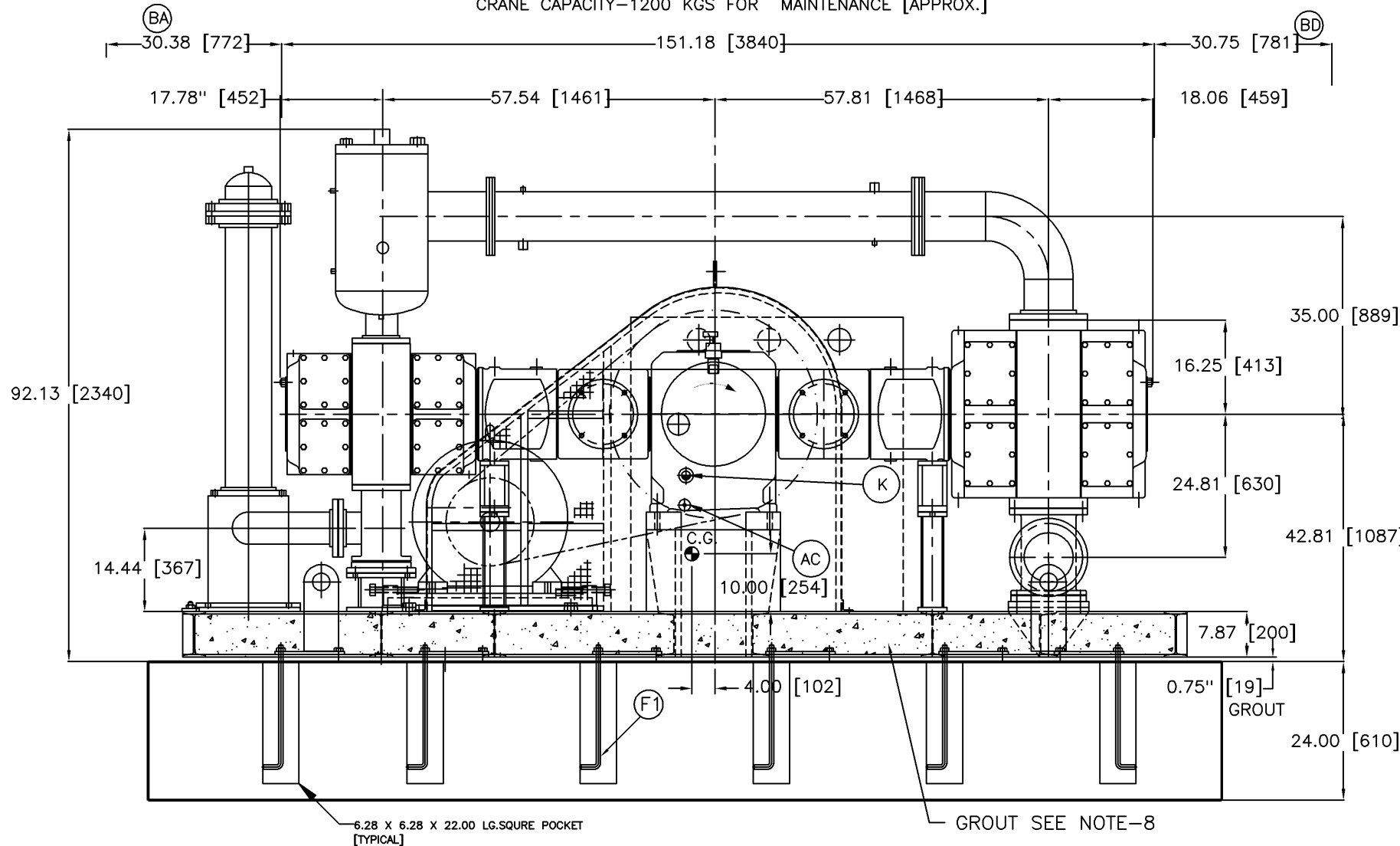
REVISIONS

REV	ECN	DESCRIPTION	DWN	APV	DATE
00	ENL01763	ORIGINAL RELEASE	JSP	JBR	25JUL06

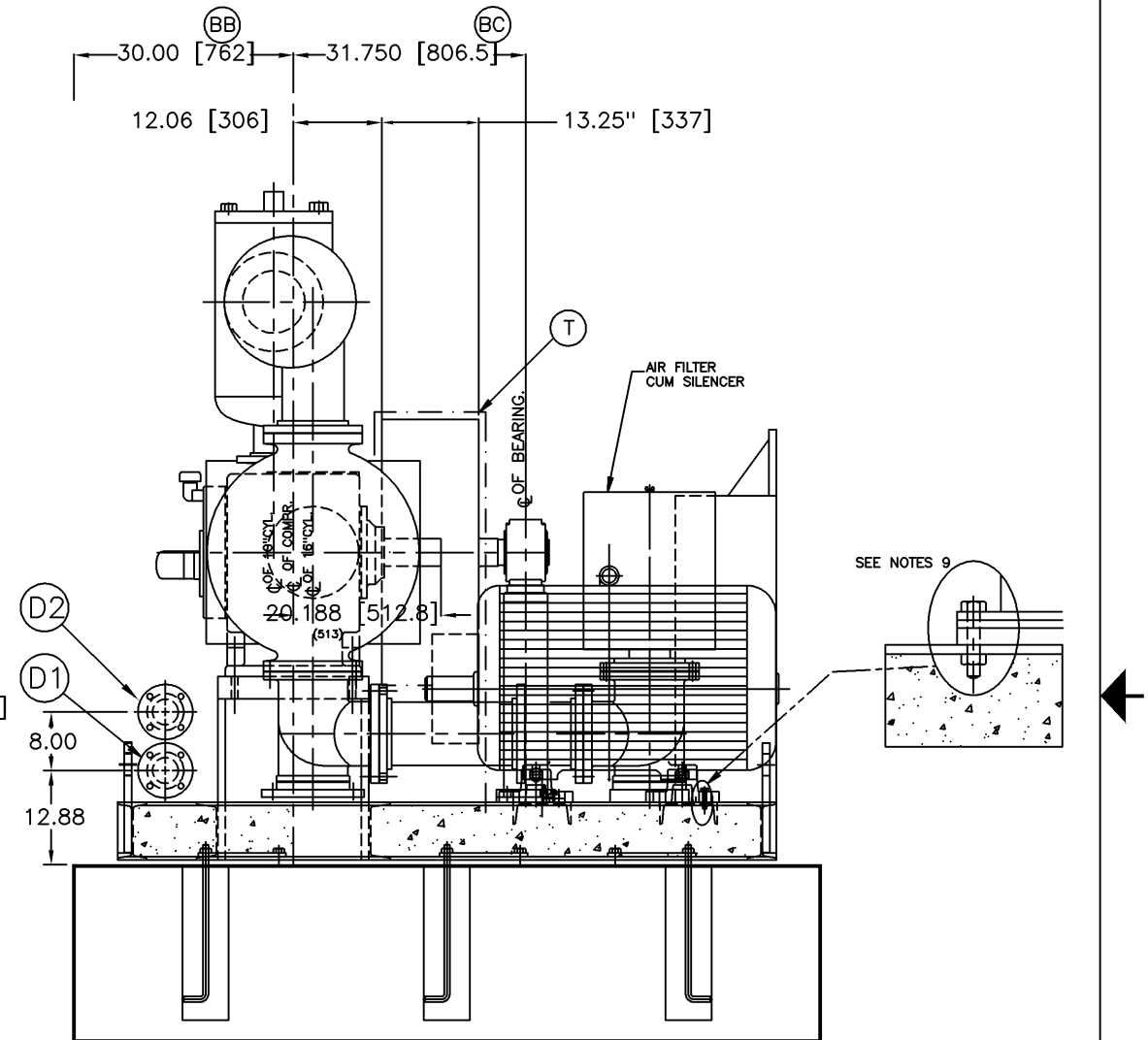


3 METER

CRANE CAPACITY-9000 KGS [ERACTION WEIGHT APPROX]
CRANE CAPACITY-1200 KGS FOR MAINTENANCE [APPROX.]



ELEVATION VIEW



R.H. SIDE VIEW

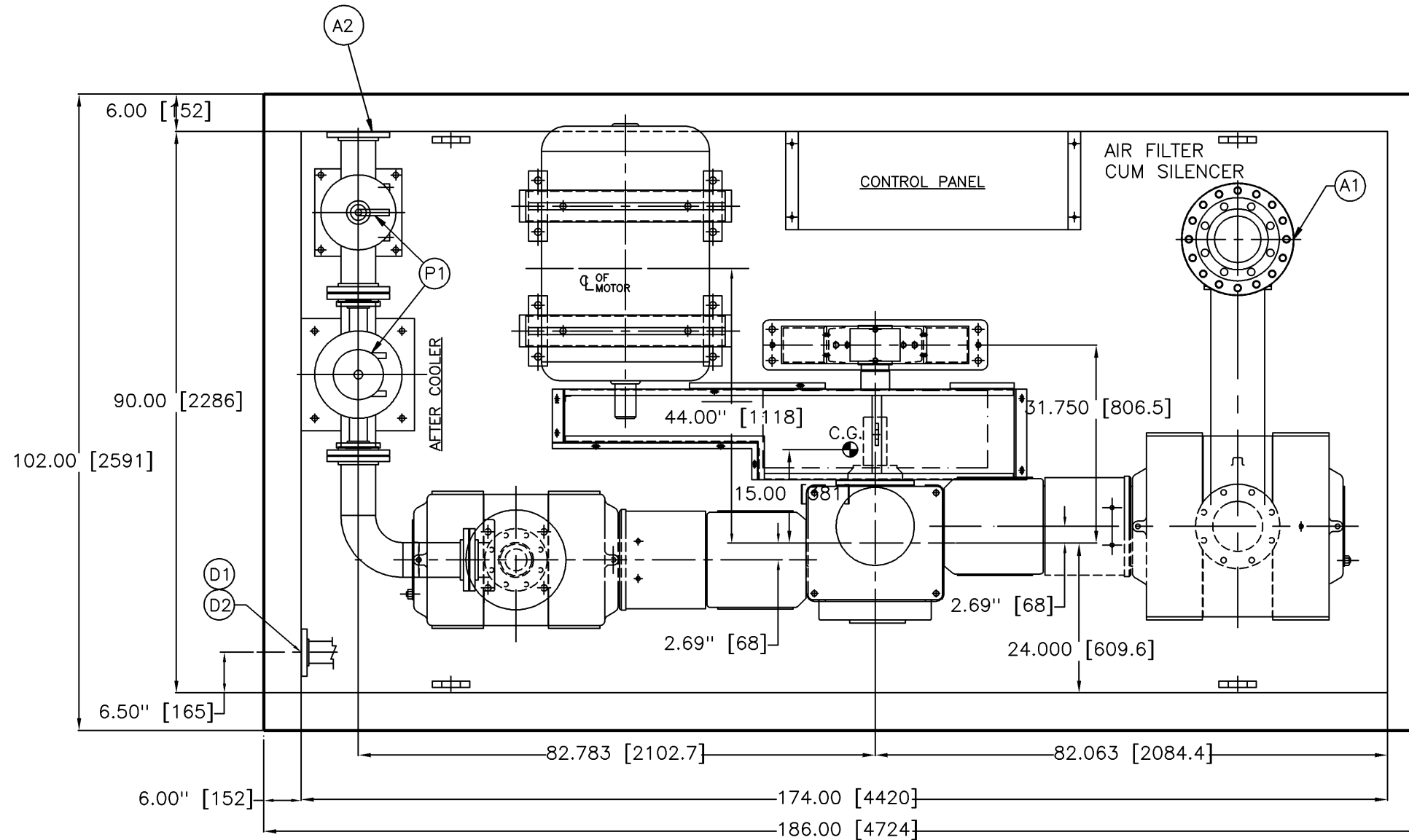
SPACES REQUIRED TO REMOVE

- [BA] PISTON AND ROD
- [BB] COMPRESSOR CRANKSHAFT
- [BC] COMPRESSOR SHEAVE
- [BD] PISTON AND ROD

<p>COPYRIGHT © 2001 INGERSOLL-RAND COMPANY ALL RIGHTS RESERVED</p>	<p>WARNING: THE EXPORT OR REEXPORT OF THIS DRAWING OR A PRODUCT PRODUCED BY THIS DRAWING IS SUBJECT TO U.S. EXPORT ADMINISTRATION REGULATIONS AND OTHER APPLICABLE GOVERNMENTAL RESTRICTIONS OR REGULATIONS.</p>	<p>MICROFILM BLOWBACK SCALE 0 1 in</p>	<p>THIRD ANGLE PROJECTION</p>	<p>INDUSTRIAL AIR SOLUTIONS, HEAVY INDUSTRIAL SYSTEMS NARODA PLANT, AHMEDABAD.</p>
<p>DRAWING CONFORMS TO ASME Y14.5M - 1994</p>	<p>PROPRIETARY NOTICE</p> <p>THIS DOCUMENT CONTAINS CONFIDENTIAL AND TRADE SECRET INFORMATION, IS THE PROPERTY OF INGERSOLL-RAND COMPANY, AND IS GIVEN TO THE RECEIVER IN CONFIDENCE. THE RECEIVER BY RECEPTION AND RETENTION OF THE DOCUMENT ACCEPTS THE DOCUMENT IN CONFIDENCE AND AGREES THAT, EXCEPT AS AUTHORIZED IN WRITING BY INGERSOLL-RAND COMPANY, IT WILL (1) NOT USE THE DOCUMENT OR ANY COPY THEREOF OR THE CONFIDENTIAL OR TRADE SECRET INFORMATION THEREIN; (2) NOT COPY THE DOCUMENT; (3) NOT DISCLOSE TO OTHERS EITHER THE DOCUMENT OR THE CONFIDENTIAL OR TRADE SECRET INFORMATION THEREIN; AND (4) UPON COMPLETION OF THE NEED TO RETAIN THE DOCUMENT, OR UPON DEMAND, RETURN THE DOCUMENT, ALL COPIES THEREOF, AND ALL MATERIAL COPIED THEREFROM.</p>		<p>DRAWN JSP DATE 25JUL06</p> <p>CHECKED KPN 25JUL06</p> <p>APPRVD JBR 25JUL06</p> <p>CHG. NOS.</p> <p>SCALE 1 : 20</p> <p>FSCM 6R484</p>	<p>TITLE ARRANGEMENT, GENERAL & FOUNDATION DRAWING IS2 240</p>
<p>UNLESS OTHERWISE SPECIFIED, ALL DIMENSIONS ARE IN INCHES AND TOLERANCES ON DIMENSIONS ARE AS FOLLOWS:</p> <p>ONE PLACE: (.X) = ±.25 TWO PLACES: (.XX) = ±.12 THREE PLACES: (.XXX) = ±.06 ANGLES: = ±1°</p>	<p>SIZE B</p>	<p>ECN ENL01763</p>	<p>DWG NO. 17291030</p>	<p>REV 00</p>
			<p>WT. REFER TABLE UNIT INDStar</p>	<p>SHEET 1 OF 3</p>

REVISIONS

REV	ECN	DESCRIPTION	DWN	APV	DATE
00	ENL01763	ORIGINAL RELEASE	JSP	JBR	25JUL06



PLAN VIEW

EQUIPMENT ACCESSORIES & CONNECTION


A1	1st. STAGE SUCTION, 8"-150#, ANSI B 16.5 SORF
A2	AFTER COOLER DISCHARGE CONNECTION, 5"-150#, ANSI B16.5 SORF
C	FRAME OIL DRAIN CONNECTION, 0.5 NPT.
D1	WATER INLET COMMON HEADER, 3"-150#, ANSI B16.5 SORF
D2	WATER OUTLET COMMON HEADER, 3"-150#, ANSI B16.5 SORF
G1	DRAIN CONNECTION FOR A/C, 1/2"NPT
G2	DRAIN CONNECTION FOR I/C 1st STAGE, 1/2"NPT
K	FRAME OIL LEVEL INDICATOR
L	'V'BELT GUARD
R	INTER COOLER SAFETY VALVE, 2.00" BSPT
S	AFTER COOLER SAFETY VALVE, 1.50" NPT
T	CONTROL PANEL

CONFIGURATION: 16 & 10 x 7 PHE7

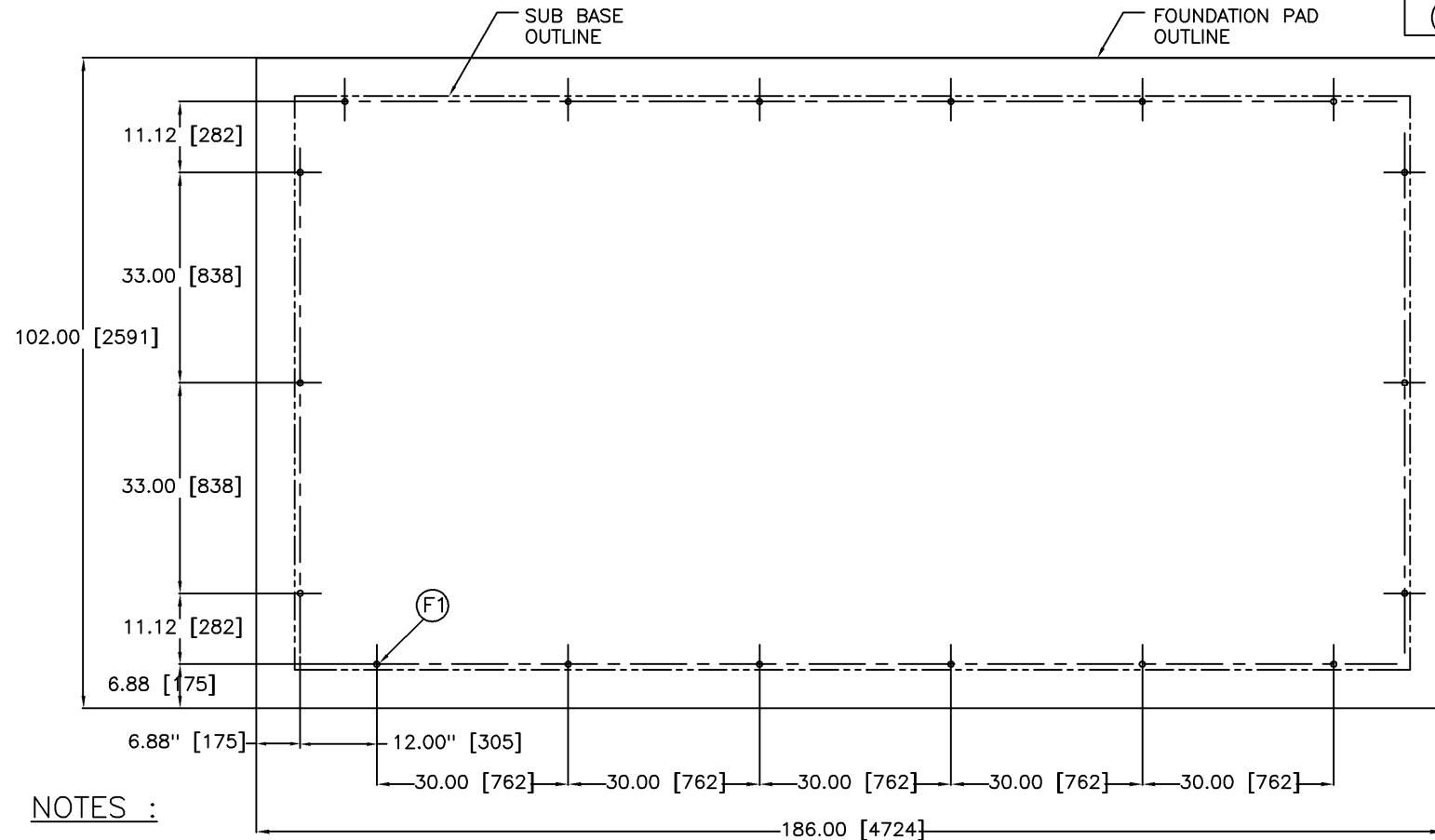
MOTOR DATA		'V'BELT DRIVE DETAIL *	
RATING	240 HP	QTY. OF BELTS	6 NO.
FRAME	315L	SIZE OF BELTS	SPC-4250
RATED SPEED	1485 RPM	PITCH DIA COMPR. SHEAVE	30"
		COMPR. SPEED R.P.M	750
		GD±2 OF COMP. SHEAVE	6400lbs ft±2

APPROX WEIGHTS kg (LBS)

16" AIREND	1050 KGS. (2310)
10" AIREND	450 KGS. (990)
FRAME & RUNNING GEAR	950 KGS. (2090)
V SHEAVE	500 KGS. (1102)
COOLERS 1st. & 2nd. STG.	865 KGS. (2910)
SKID	2800 KGS. (6160)
PIPING ETC.	400 KGS. (880)
MAIN MOTOR	1200 KGS. (2645)
PANEL & GAUGE BOARD	350 KGS. (772)
TOTAL WEIGHT	8560 KGS. (18862)

COPYRIGHT © 2001 INGERSOLL-RAND COMPANY ALL RIGHTS RESERVED		WARNING: THE EXPORT OR REEXPORT OF THIS DRAWING OR A PRODUCT PRODUCED BY THIS DRAWING IS SUBJECT TO U.S. EXPORT ADMINISTRATION REGULATIONS AND OTHER APPLICABLE GOVERNMENTAL RESTRICTIONS OR REGULATIONS.		MICROFILM BLOWBACK SCALE 0 1 in		THIRD ANGLE PROJECTION		 INDUSTRIAL AIR SOLUTIONS, HEAVY INDUSTRIAL SYSTEMS NARODA PLANT, AHMEDABAD.			
DRAWING CONFORMS TO ASME Y14.5M - 1994		PROPRIETARY NOTICE		DRAWN NMP 23JUL06		DATE 23JUL06					
UNLESS OTHERWISE SPECIFIED, ALL DIMENSIONS ARE IN INCHES AND TOLERANCES ON DIMENSIONS ARE AS FOLLOWS: ONE PLACE: (.X) = ±.25 TWO PLACES: (.XX) = ±.12 THREE PLACES: (.XXX) = ±.06 ANGLES: = ±1°		THIS DOCUMENT CONTAINS CONFIDENTIAL AND TRADE SECRET INFORMATION, IS THE PROPERTY OF INGERSOLL-RAND COMPANY, AND IS GIVEN TO THE RECEIVER IN CONFIDENCE. THE RECEIVER BY RECEPTION AND RETENTION OF THE DOCUMENT ACCEPTS THE DOCUMENT IN CONFIDENCE AND AGREES THAT, EXCEPT AS AUTHORIZED IN WRITING BY INGERSOLL-RAND COMPANY, IT WILL (1) NOT USE THE DOCUMENT OR ANY COPY THEREOF OR THE CONFIDENTIAL OR TRADE SECRET INFORMATION THEREIN; (2) NOT COPY THE DOCUMENT; (3) NOT DISCLOSE TO OTHERS EITHER THE DOCUMENT OR THE CONFIDENTIAL OR TRADE SECRET INFORMATION THEREIN; AND (4) UPON COMPLETION OF THE NEED TO RETAIN THE DOCUMENT, OR UPON DEMAND, RETURN THE DOCUMENT, ALL COPIES THEREOF, AND ALL MATERIAL COPIED THEREFROM.		CHECKED KPN 23JUL06		APPRVD JBR 23JUL06		TITLE ARRANGEMENT, GENERAL & FOUNDATION DRAWING IS2 240			
				SCALE 1 : 20		FSCM 6R484		SIZE B		ECN ENL01763	
				WT. REFER TABLE		UNIT INDStar		SHEET 2		OF 3	

FOUNDATION PLAN

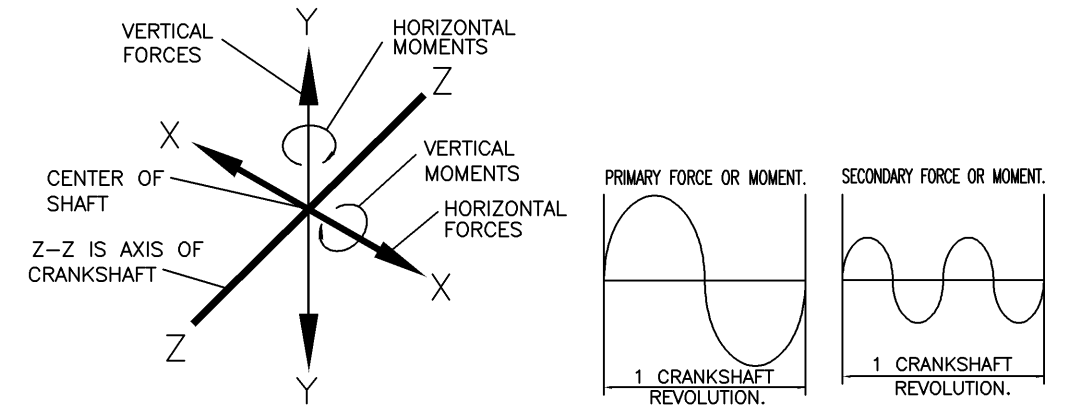


NOTES :

- 1 DO NOT SCALE THIS DRAWING FOR DIMENSIONS, USE FIGURES GIVEN.
 - 2 BE SURE TO READ INSTALLATION INSTRUCTIONS MANUAL BEFORE CASTING THE FOUNDATION.
 - 3 FOUNDATION DIMENSIONS SHOWN ARE MINIMUM, SUITABLE ONLY FOR FIRM SOIL BACKED UP BY BEDROCK. WE RECOMMEND THAT YOU INVESTIGATE THE SOIL CONDITION IN THE PROSPECTIVE LOCATION AND IF THERE IS ANY DOUBT REGARDING ITS SUITABILITY, WE URGE CONSULTATION WITH A FOUNDATION EXPERT.
 - 4 SPACES FOR GROUT ARE TO BE FILLED IN AFTER LEVELING THE SKID WITH CEMENT GROUTING MATERIAL. REFER IR DRAWINGS 4520B-1 AND W131259 FOR GROUTING IN FRAME AND OTHER ACCESSORIES.
 - 5 CUSTOMER TO SUPPORT ALL PIPINGS AS CLOSE AS POSSIBLE BEYOND THE BATTERY LIMITS SUCH THAT FORCES AND MOMENTS DUE TO EXPANSION OR CONTRACTION OR WEIGHTS INTRODUCED AT THE BATTERY LIMITS ARE MINIMUM.
 - 6 ALL FLANGE BOLT HOLES STRADDLE TO MAIN CENTERLINES.
 - 7 ALL DIMENSIONS ARE IN INCHES. EQUIVALENT mm DIMENSIONS GIVEN IN BRACKETS ARE APPROXIMATE.
 - 8 FILL UP THE GROUT IN THE VOID SPACES OF THE ENTIRE SKID UP TO THE TOP LEVEL OF SKID TO MINIMIZE VIBRATION.
 - 9 WHILE GROUTING DO NOT FILL GROUT AROUND BASE BOLTS FOR COOLERS, MOTOR SLIDE RAILS, THIRD BEARING PEDESTAL, COMPRESSOR FRAME ETC. FOR SERVICE PURPOSE.
 - 10 INTERNAL DIMENSIONS WITHIN SKID (EXCEPT COMPRESSOR BASE DIMENSIONS) MAY BE CHANGED AS BUILT
- ⊙ APPROXIMATE CENTER OF GRAVITY

REVISIONS

REV	ECN	DESCRIPTION	DWN	APV	DATE
00	ENL01763	ORIGINAL RELEASE	JSP	JBR	23JUL06



UNBALANCED INERTIA FORCES ON FOUNDATION

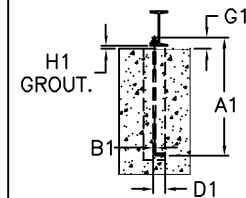
THE FOUNDATION MUST BE DESIGNED TO RESIST THE FOLLOWING FORCES :

- MAXIMUM HORIZONTAL PRIMARY FORCE _____ 0 _____ LBS. (0 kg.)
- MAXIMUM HORIZONTAL SECONDARY FORCE _____ 0 _____ LBS. (0 kg.)
- MAXIMUM VERTICAL PRIMARY FORCE _____ 0 _____ LBS. (0 kg.)
- MAXIMUM VERTICAL SECONDARY FORCE _____ 0 _____ LBS. (0 kg.)
- MAXIMUM HORIZONTAL PRIMARY MOMENT (ABOUT AXIS Y-Y) _____ 3808 _____ LBS.FT (1731 kg.m)
- MAXIMUM HORIZONTAL SECONDARY MOMENT (ABOUT AXIS Y-Y) _____ 672 _____ LBS.FT (308 kg.m)
- MAXIMUM VERTICAL PRIMARY MOMENT (ABOUT AXIS X-X) _____ 1126 _____ LBS.FT (512kg.m)
- MAXIMUM VERTICAL SECONDARY MOMENT (ABOUT AXIS X-X) _____ 0 _____ LBS.FT (0 kg.m)

NOTES :

- 1 : MOMENTS TAKEN ABOUT AXIS THROUGH CENTER OF SHAFT. FORCES TAKEN AS ACTING AT CENTER OF SHAFT.
- 2 : PRIMARY FORCES & MOMENTS CHANGE FROM ZERO TO MAXIMUM GIVEN ABOVE TO ZERO TO SAME MAXIMUM IN REVERSE DIRECTION & BACK TO ZERO ONCE IN A CRANKSHAFT REVOLUTION. SECONDARY FORCES & MOMENTS GO THROUGH THIS CYCLE TWICE IN A REVOLUTION. THE SKETCH SHOWS THIS.

FOUNDATION BOLT DETAIL



ITEM	LOCATION	QTY.	BOLT			PROJ	GROUT
			A1	B1	D1	G1	H1
(F1)	MAIN SKID BASE	18	22.00 (559)	0.750 (19)	4.00 (100)	3.25 (83)	0.750 (19)

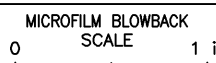
COPYRIGHT© 2001
INGERSOLL-RAND COMPANY
ALL RIGHTS RESERVED

DRAWING CONFORMS TO
ASME Y14.5M - 1994

UNLESS OTHERWISE SPECIFIED,
ALL DIMENSIONS ARE IN INCHES
AND TOLERANCES ON DIMENSIONS
ARE AS FOLLOWS:

- ONE PLACE: (.X) = ±.25
- TWO PLACES: (.XX) = ±.12
- THREE PLACES: (.XXX) = ±.06
- ANGLES: = ±1°

WARNING: THE EXPORT OR REEXPORT OF THIS DRAWING
OR A PRODUCT PRODUCED BY THIS DRAWING IS SUBJECT
TO U.S EXPORT ADMINISTRATION REGULATIONS AND OTHER
APPLICABLE GOVERNMENTAL RESTRICTIONS OR REGULATIONS.



PROPRIETARY NOTICE

THIS DOCUMENT CONTAINS CONFIDENTIAL AND TRADE SECRET INFORMATION,
IS THE PROPERTY OF INGERSOLL-RAND COMPANY, AND IS GIVEN TO THE
RECEIVER IN CONFIDENCE. THE RECEIVER BY RECEPTION AND RETENTION OF
THE DOCUMENT ACCEPTS THE DOCUMENT IN CONFIDENCE AND AGREES THAT,
EXCEPT AS AUTHORIZED IN WRITING BY INGERSOLL-RAND COMPANY, IT WILL
(1) NOT USE THE DOCUMENT OR ANY COPY THEREOF OR THE CONFIDENTIAL
OR TRADE SECRET INFORMATION THEREIN; (2) NOT COPY THE DOCUMENT;
(3) NOT DISCLOSE TO OTHERS EITHER THE DOCUMENT OR THE CONFIDENTIAL
OR TRADE SECRET INFORMATION THEREIN; AND (4) UPON COMPLETION OF
THE NEED TO RETAIN THE DOCUMENT, OR UPON DEMAND, RETURN THE
DOCUMENT, ALL COPIES THEREOF, AND ALL MATERIAL COPIED THEREFROM.

DRAWN	DATE
JSP	25JUL06
CHECKED	
KPN	25JUL06
APPRVD	
JBR	25JUL06
CHG. NOS.	
SCALE	1 : 20
FSCM	6R484



TITLE ARRANGEMENT, GENERAL & FOUNDATION DRAWING
IS2 240

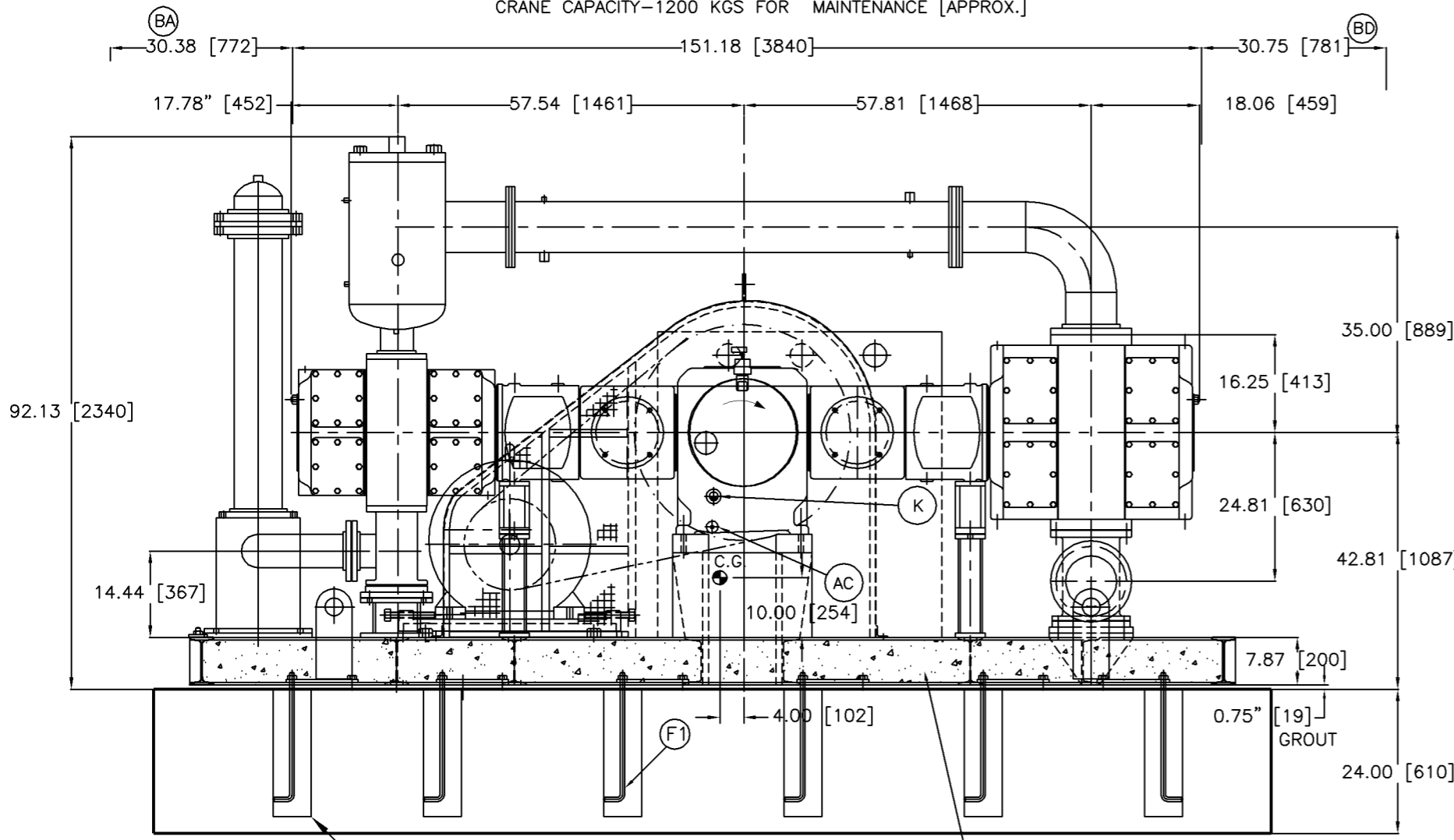
SIZE	ECN	DWG NO.	REV
B	ENL01763	17291030	00
WT. REFER TABLE	UNIT INDStar	SHEET 3	OF 3

REVISIONS					
REV	ECN	DESCRIPTION	DWN	APV	DATE
00	ENL01763	ORIGINAL RELEASE	JSP	JBR	25JUL06

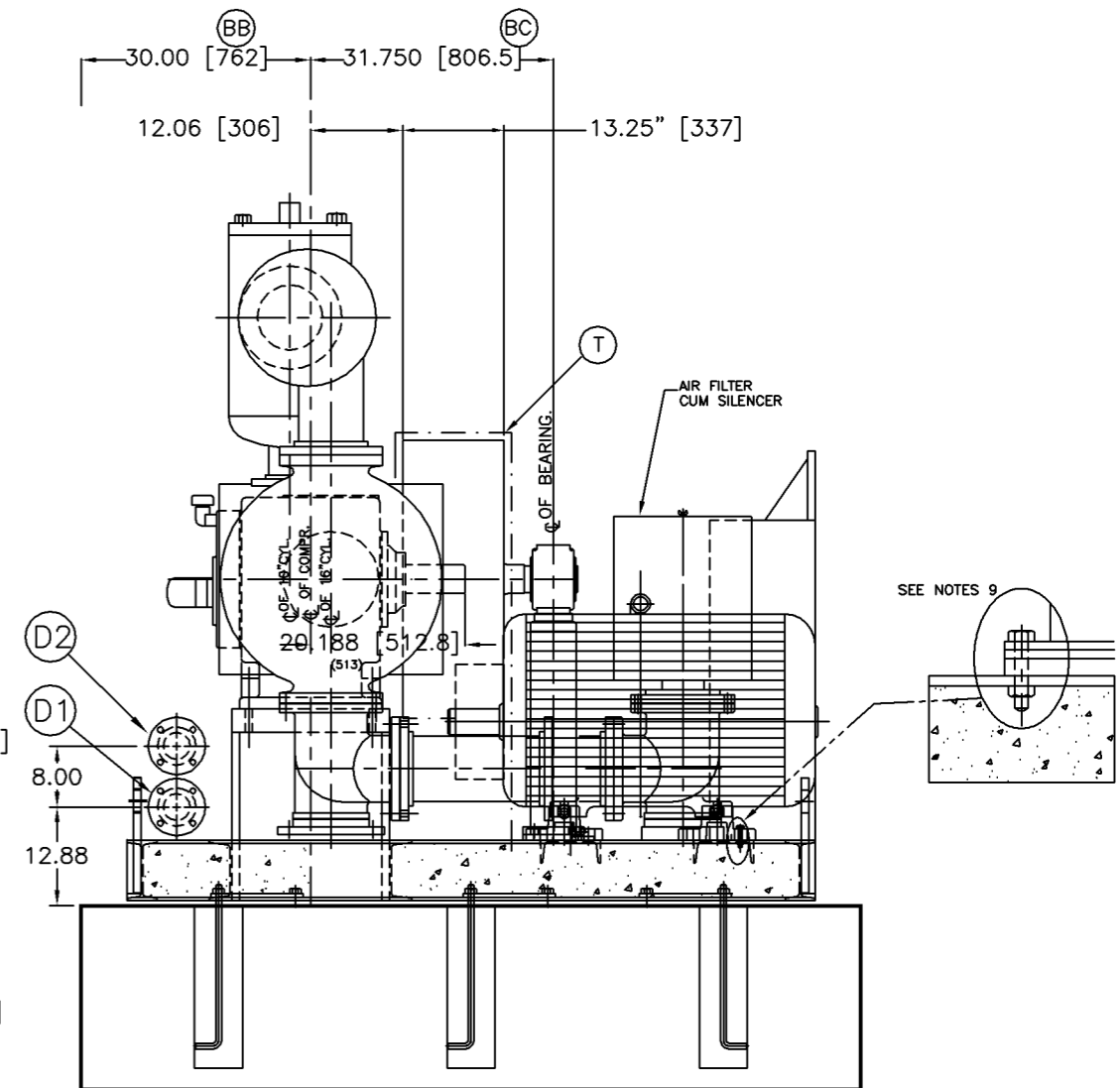


▼3 METER

CRANE CAPACITY-9000 KGS [ERACTION WEIGHT APPROX]
CRANE CAPACITY-1200 KGS FOR MAINTENANCE [APPROX.]



ELEVATION VIEW



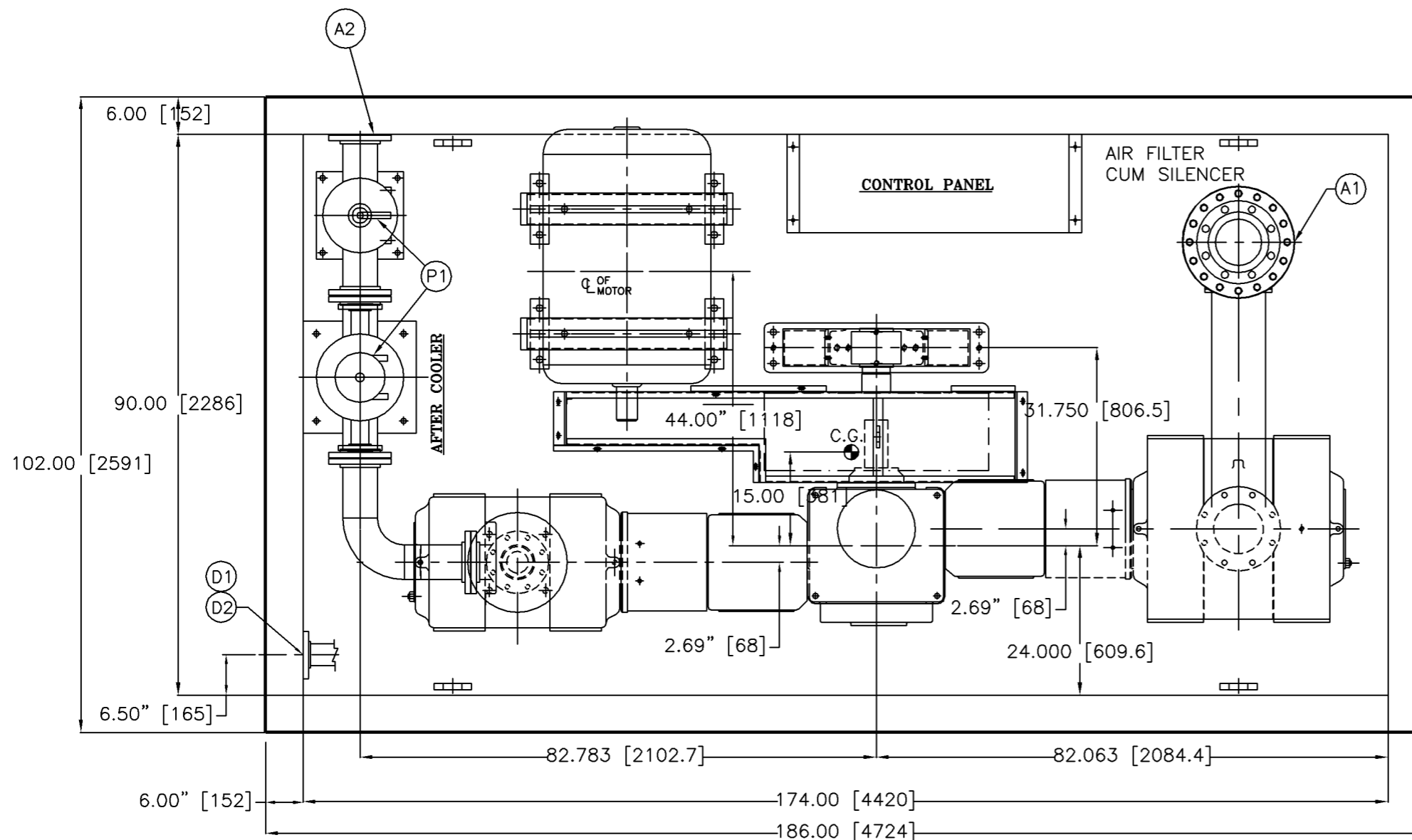
R.H. SIDE VIEW

SPACES REQUIRED TO REMOVE

- [BA] PISTON AND ROD
- [BB] COMPRESSOR CRANKSHAFT
- [BC] COMPRESSOR SHEAVE
- [BD] PISTON AND ROD

COPYRIGHT © 2001 INGERSOLL-RAND COMPANY ALL RIGHTS RESERVED	WARNING: THE EXPORT OR REEXPORT OF THIS DRAWING OR A PRODUCT PRODUCED BY THIS DRAWING IS SUBJECT TO U.S. EXPORT ADMINISTRATION REGULATIONS AND OTHER APPLICABLE GOVERNMENTAL RESTRICTIONS OR REGULATIONS.	MICROFILM BLOWBACK SCALE 0 1 in	THIRD ANGLE PROJECTION		INDUSTRIAL AIR SOLUTIONS, HEAVY INDUSTRIAL SYSTEMS NARODA PLANT, AHMEDABAD.			
			DRAWN JSP	DATE 25JUL06		TITLE ARRANGEMENT, GENERAL & FOUNDATION DRAWING IS2 240H		
DRAWING CONFORMS TO ASME Y14.5M - 1994	PROPRIETARY NOTICE		CHECKED KPN	DATE 25JUL06	SIZE B	ECN ENL01763	DWG NO. 17291360	REV 00
UNLESS OTHERWISE SPECIFIED, ALL DIMENSIONS ARE IN INCHES AND TOLERANCES ON DIMENSIONS ARE AS FOLLOWS: ONE PLACE: (.X) = ±.25 TWO PLACES: (.XX) = ±.12 THREE PLACES: (.XXX) = ±.06 ANGLES: = ±1°	THIS DOCUMENT CONTAINS CONFIDENTIAL AND TRADE SECRET INFORMATION, IS THE PROPERTY OF INGERSOLL-RAND COMPANY, AND IS GIVEN TO THE RECEIVER IN CONFIDENCE. THE RECEIVER BY RECEPTION AND RETENTION OF THE DOCUMENT ACCEPTS THE DOCUMENT IN CONFIDENCE AND AGREES THAT, EXCEPT AS AUTHORIZED IN WRITING BY INGERSOLL-RAND COMPANY, IT WILL (1) NOT USE THE DOCUMENT OR ANY COPY THEREOF OR THE CONFIDENTIAL OR TRADE SECRET INFORMATION THEREIN; (2) NOT COPY THE DOCUMENT; (3) NOT DISCLOSE TO OTHERS EITHER THE DOCUMENT OR THE CONFIDENTIAL OR TRADE SECRET INFORMATION THEREIN; AND (4) UPON COMPLETION OF THE NEED TO RETAIN THE DOCUMENT, OR UPON DEMAND, RETURN THE DOCUMENT, ALL COPIES THEREOF, AND ALL MATERIAL COPIED THEREFROM.		APPRVD JBR	DATE 25JUL06				
FSCM 6R484								

REVISIONS					
REV	ECN	DESCRIPTION	DWN	APV	DATE
00	ENL01763	ORIGINAL RELEASE	JSP	JBR	25JUL06



PLAN VIEW

EQUIPMENT ACCESSORIES & CONNECTION


A1	1st. STAGE SUCTION, 8"-150#, ANSI B 16.5 SORF
A2	AFTER COOLER DISCHARGE CONNECTION, 5"-150#, ANSI B16.5 SORF
C	FRAME OIL DRAIN CONNECTION, 0.5 NPT.
D1	WATER INLET COMMON HEADER, 3"-150#, ANSI B16.5 SORF
D2	WATER OUTLET COMMON HEADER, 3"-150#, ANSI B16.5 SORF
G1	DRAIN CONNECTION FOR A/C, 1/2"NPT
G2	DRAIN CONNECTION FOR I/C 1st STAGE, 1/2"NPT
K	FRAME OIL LEVEL INDICATOR
L	'V'BELT GUARD
R	INTER COOLER SAFETY VALVE, 2.00" BSPT
S	AFTER COOLER SAFETY VALVE, 1.50" NPT
T	CONTROL PANEL

CONFIGURATION: 16 & 10 x 7 PHE7

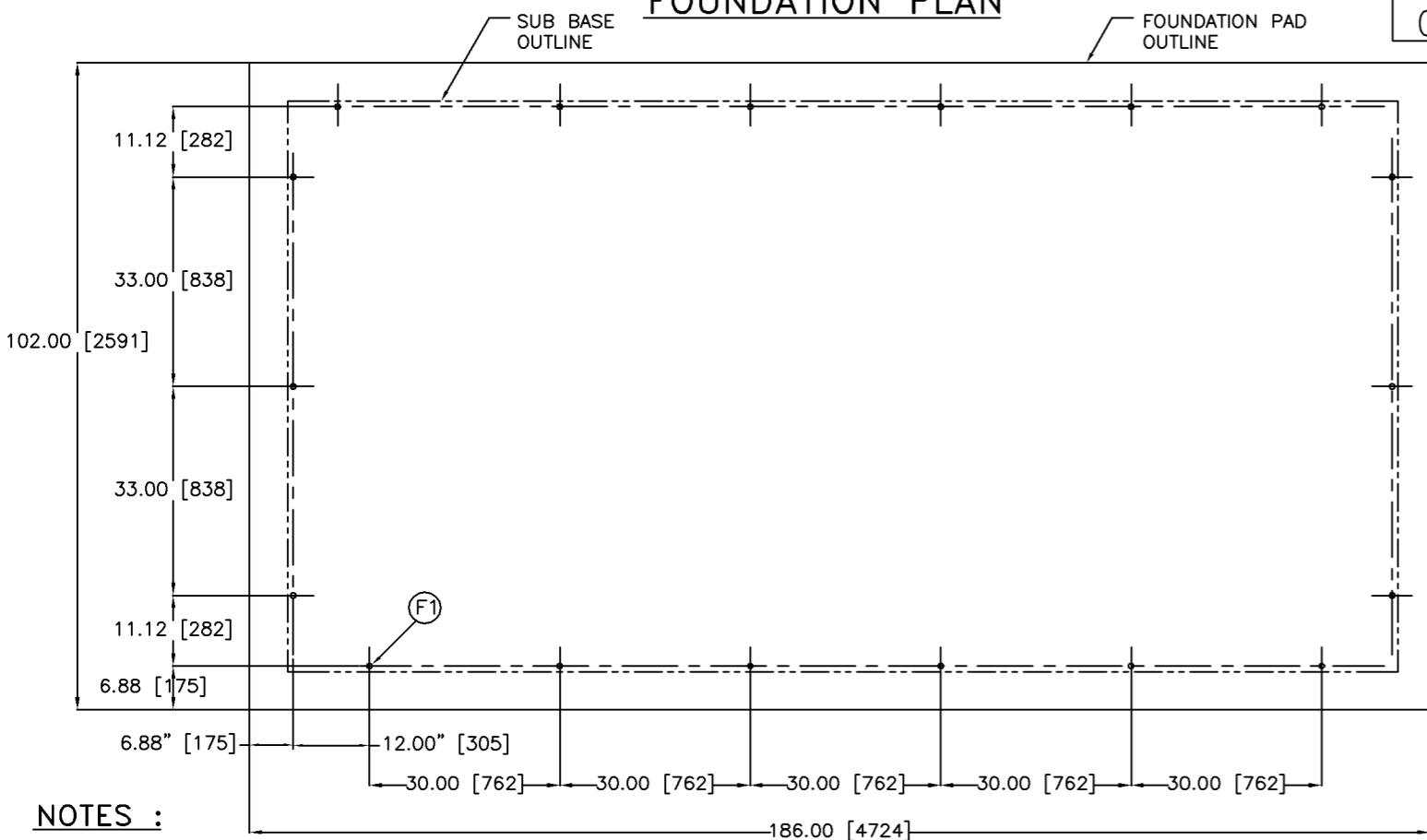
MOTOR DATA		'V'BELT DRIVE DETAIL *	
RATING	240 HP	QTY. OF BELTS	6 NO.
FRAME	315L	SIZE OF BELTS	SPC-4250
RATED SPEED	1485 RPM	PITCH DIA COMPR. SHEAVE	30"
		COMPR. SPEED R.P.M	715
		GD^2 OF COMP. SHEAVE	6400lbs ft^2

APPROX WEIGHTS kg (LBS)

16" AIREND	1050 KGS. (2310)
10" AIREND	450 KGS. (990)
FRAME & RUNNING GEAR	950 KGS. (2090)
V SHEAVE	500 KGS. (1102)
COOLERS 1st. & 2nd. STG.	865 KGS. (2910)
SKID	2800 KGS. (6160)
PIPING ETC.	400 KGS. (880)
MAIN MOTOR	1200 KGS. (2645)
PANEL & GAUGE BOARD	350 KGS. (772)
TOTAL WEIGHT	8560 KGS. (18872)

COPYRIGHT © 2001 INGERSOLL-RAND COMPANY ALL RIGHTS RESERVED DRAWING CONFORMS TO ASME Y14.5M - 1994 UNLESS OTHERWISE SPECIFIED, ALL DIMENSIONS ARE IN INCHES AND TOLERANCES ON DIMENSIONS ARE AS FOLLOWS: ONE PLACE: (.X) = ±.25 TWO PLACES: (.XX) = ±.12 THREE PLACES: (.XXX) = ±.06 ANGLES: = ±1°	WARNING: THE EXPORT OR REEXPORT OF THIS DRAWING OR A PRODUCT PRODUCED BY THIS DRAWING IS SUBJECT TO U.S. EXPORT ADMINISTRATION REGULATIONS AND OTHER APPLICABLE GOVERNMENTAL RESTRICTIONS OR REGULATIONS.	MICROFILM BLOWBACK SCALE 0 1 in	THIRD ANGLE PROJECTION	 INDUSTRIAL AIR SOLUTIONS, HEAVY INDUSTRIAL SYSTEMS NARODA PLANT, AHMEDABAD.				
	PROPRIETARY NOTICE THIS DOCUMENT CONTAINS CONFIDENTIAL AND TRADE SECRET INFORMATION, IS THE PROPERTY OF INGERSOLL-RAND COMPANY, AND IS GIVEN TO THE RECEIVER IN CONFIDENCE. THE RECEIVER BY RECEPTION AND RETENTION OF THE DOCUMENT ACCEPTS THE DOCUMENT IN CONFIDENCE AND AGREES THAT, EXCEPT AS AUTHORIZED IN WRITING BY INGERSOLL-RAND COMPANY, IT WILL (1) NOT USE THE DOCUMENT OR ANY COPY THEREOF OR THE CONFIDENTIAL OR TRADE SECRET INFORMATION THEREIN; (2) NOT COPY THE DOCUMENT; (3) NOT DISCLOSE TO OTHERS EITHER THE DOCUMENT OR THE CONFIDENTIAL OR TRADE SECRET INFORMATION THEREIN; AND (4) UPON COMPLETION OF THE NEED TO RETAIN THE DOCUMENT, OR UPON DEMAND, RETURN THE DOCUMENT, ALL COPIES THEREOF, AND ALL MATERIAL COPIED THEREFROM.	DRAWN JSP CHECKED KPN APPRVD JBR CHG. NOS. SCALE 1 : 20 FSCM 6R484	DATE 23JUL06 23JUL06 23JUL06					TITLE ARRANGEMENT, GENERAL & FOUNDATION DRAWING IS2 240H
				WT. REFER TABLE	UNIT	INDStar	SHEET 2	OF 3

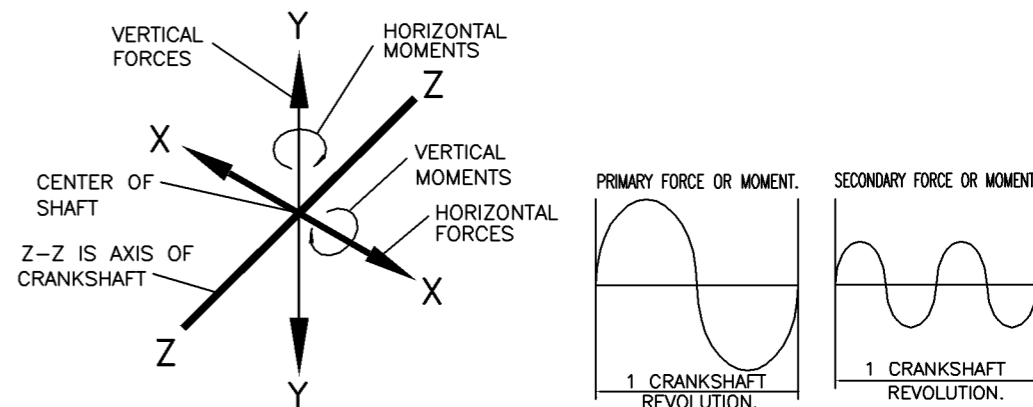
FOUNDATION PLAN



NOTES :

- DO NOT SCALE THIS DRAWING FOR DIMENSIONS, USE FIGURES GIVEN.
- BE SURE TO READ INSTALLATION INSTRUCTIONS MANUAL BEFORE CASTING THE FOUNDATION.
- FOUNDATION DIMENSIONS SHOWN ARE MINIMUM, SUITABLE ONLY FOR FIRM SOIL BACKED UP BY BEDROCK. WE RECOMMEND THAT YOU INVESTIGATE THE SOIL CONDITION IN THE PROSPECTIVE LOCATION AND IF THERE IS ANY DOUBT REGARDING ITS SUITABILITY, WE URGE CONSULTATION WITH A FOUNDATION EXPERT.
- SPACES FOR GROUT ARE TO BE FILLED IN AFTER LEVELING THE SKID WITH CEMENT GROUTING MATERIAL. REFER IR DRAWINGS 4520B-1 AND W131259 FOR GROUTING IN FRAME AND OTHER ACCESSORIES.
- CUSTOMER TO SUPPORT ALL PIPINGS AS CLOSE AS POSSIBLE BEYOND THE BATTERY LIMITS SUCH THAT FORCES AND MOMENTS DUE TO EXPANSION OR CONTRACTION OR WEIGHTS INTRODUCED AT THE BATTERY LIMITS ARE MINIMUM.
- ALL FLANGE BOLT HOLES STRADDLE TO MAIN CENTERLINES.
- ALL DIMENSIONS ARE IN INCHES. EQUIVALENT mm DIMENSIONS GIVEN IN BRACKETS ARE APPROXIMATE.
- FILL UP THE GROUT IN THE VOID SPACES OF THE ENTIRE SKID UP TO THE TOP LEVEL OF SKID TO MINIMIZE VIBRATION.
- WHILE GROUTING DO NOT FILL GROUT AROUND BASE BOLTS FOR COOLERS, MOTOR SLIDE RAILS, THIRD BEARING PEDESTAL, COMPRESSOR FRAME ETC. FOR SERVICE PURPOSE.
- INTERNAL DIMENSIONS WITHIN SKID (EXCEPT COMPRESSOR BASE DIMENSIONS) MAY BE CHANGED AS BUILT
- APPROXIMATE CENTER OF GRAVITY

REVISIONS					
REV	ECN	DESCRIPTION	DWN	APV	DATE
00	ENL01763	ORIGINAL RELEASE	JSP	JBR	23JUL06



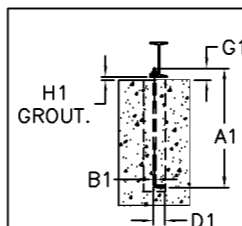
UNBALANCED INERTIA FORCES ON FOUNDATION

THE FOUNDATION MUST BE DESIGNED TO RESIST THE FOLLOWING FORCES :

- MAXIMUM HORIZONTAL PRIMARY FORCE _____ 0 _____ LBS. (0 kg.)
- MAXIMUM HORIZONTAL SECONDARY FORCE _____ 0 _____ LBS. (0 kg.)
- MAXIMUM VERTICAL PRIMARY FORCE _____ 0 _____ LBS. (0 kg.)
- MAXIMUM VERTICAL SECONDARY FORCE _____ 0 _____ LBS. (0 kg.)
- MAXIMUM HORIZONTAL PRIMARY MOMENT (ABOUT AXIS Y-Y) _____ 3808 _____ LBS.FT (1731 kg.m)
- MAXIMUM HORIZONTAL SECONDARY MOMENT (ABOUT AXIS Y-Y) _____ 672 _____ LBS.FT (308 kg.m)
- MAXIMUM VERTICAL PRIMARY MOMENT (ABOUT AXIS X-X) _____ 1126 _____ LBS.FT (512kg.m)
- MAXIMUM VERTICAL SECONDARY MOMENT (ABOUT AXIS X-X) _____ 0 _____ LBS.FT (0 kg.m)

NOTES :

- 1 : MOMENTS TAKEN ABOUT AXIS THROUGH CENTER OF SHAFT. FORCES TAKEN AS ACTING AT CENTER OF SHAFT.
- 2 : PRIMARY FORCES & MOMENTS CHANGE FROM ZERO TO MAXIMUM GIVEN ABOVE TO ZERO TO SAME MAXIMUM IN REVERSE DIRECTION & BACK TO ZERO ONCE IN A CRANKSHAFT REVOLUTION. SECONDARY FORCES & MOMENTS GO THROUGH THIS CYCLE TWICE IN A REVOLUTION. THE SKETCH SHOWS THIS.



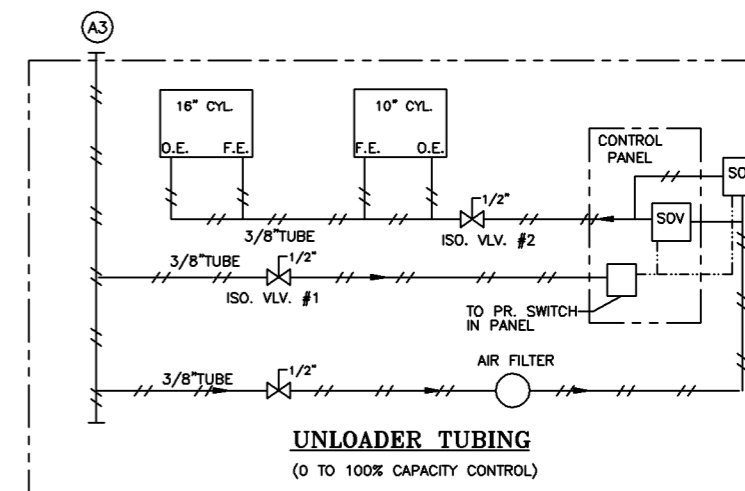
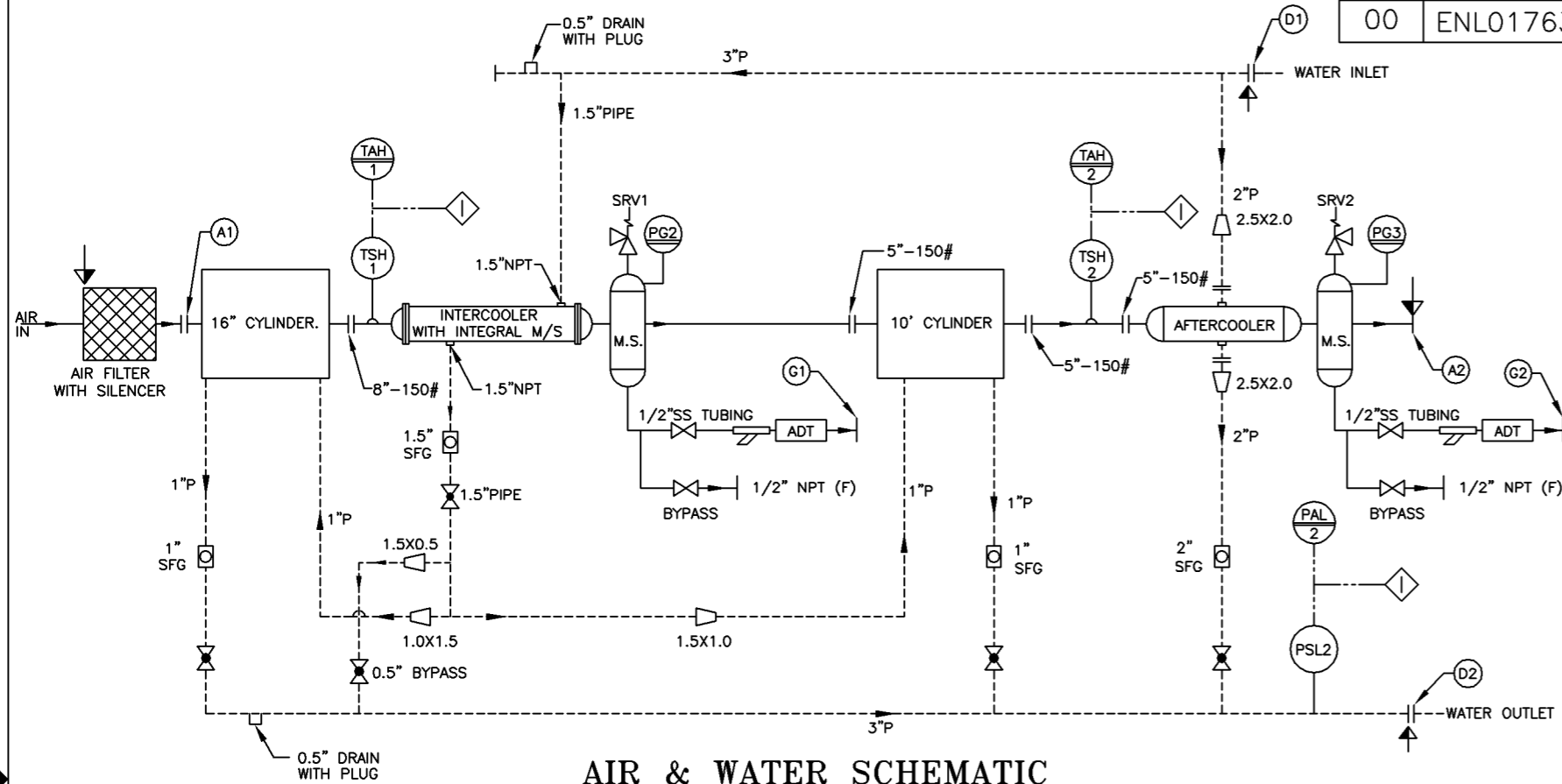
FOUNDATION BOLT DETAIL

ITEM	LOCATION	QTY.	BOLT			PROJ G1	GROUT H1
			A1	B1	D1		
(F1)	MAIN SKID BASE	18	22.00 (559)	0.750 (19)	4.00 (100)	3.25 (83)	0.750 (19)

COPYRIGHT © 2001 INGERSOLL-RAND COMPANY ALL RIGHTS RESERVED		WARNING: THE EXPORT OR REEXPORT OF THIS DRAWING OR A PRODUCT PRODUCED BY THIS DRAWING IS SUBJECT TO U.S. EXPORT ADMINISTRATION REGULATIONS AND OTHER APPLICABLE GOVERNMENTAL RESTRICTIONS OR REGULATIONS.		MICROFILM BLOWBACK SCALE 0 1 in		THIRD ANGLE PROJECTION		INDUSTRIAL AIR SOLUTIONS, HEAVY INDUSTRIAL SYSTEMS NARODA PLANT, AHMEDABAD.	
DRAWING CONFORMS TO ASME Y14.5M - 1994		PROPRIETARY NOTICE		DRAWN DATE JSP 25JUL06		CHECKED KPN 25JUL06		TITLE ARRANGEMENT, GENERAL & FOUNDATION DRAWING IS2 240H	
UNLESS OTHERWISE SPECIFIED, ALL DIMENSIONS ARE IN INCHES AND TOLERANCES ON DIMENSIONS ARE AS FOLLOWS: ONE PLACE: (.X) = ±.25 TWO PLACES: (.XX) = ±.12 THREE PLACES: (.XXX) = ±.06 ANGLES: = ±1°		THIS DOCUMENT CONTAINS CONFIDENTIAL AND TRADE SECRET INFORMATION, IS THE PROPERTY OF INGERSOLL-RAND COMPANY, AND IS GIVEN TO THE RECEIVER IN CONFIDENCE. THE RECEIVER BY RECEPTION AND RETENTION OF THE DOCUMENT ACCEPTS THE DOCUMENT IN CONFIDENCE AND AGREES THAT, EXCEPT AS AUTHORIZED IN WRITING BY INGERSOLL-RAND COMPANY, IT WILL (1) NOT USE THE DOCUMENT OR ANY COPY THEREOF OR THE CONFIDENTIAL OR TRADE SECRET INFORMATION THEREIN; (2) NOT COPY THE DOCUMENT; (3) NOT DISCLOSE TO OTHERS EITHER THE DOCUMENT OR THE CONFIDENTIAL OR TRADE SECRET INFORMATION THEREIN; AND (4) UPON COMPLETION OF THE NEED TO RETAIN THE DOCUMENT, OR UPON DEMAND, RETURN THE DOCUMENT, ALL COPIES THEREOF, AND ALL MATERIAL COPIED THEREFROM.		APPRVD JBR 25JUL06		CHG. NOS.		SIZE ECN DWG NO. REV B ENL01763 17291360 00	
		SCALE 1 : 20		FSCM 6R484		WT. REFER TABLE UNIT INDStar		SHEET 3 OF 3	

REVISIONS

REV	ECN	DESCRIPTION	DWN	APV	DATE
00	ENL01763	ORIGINAL RELEASE	JSP	JBR	25JUL06

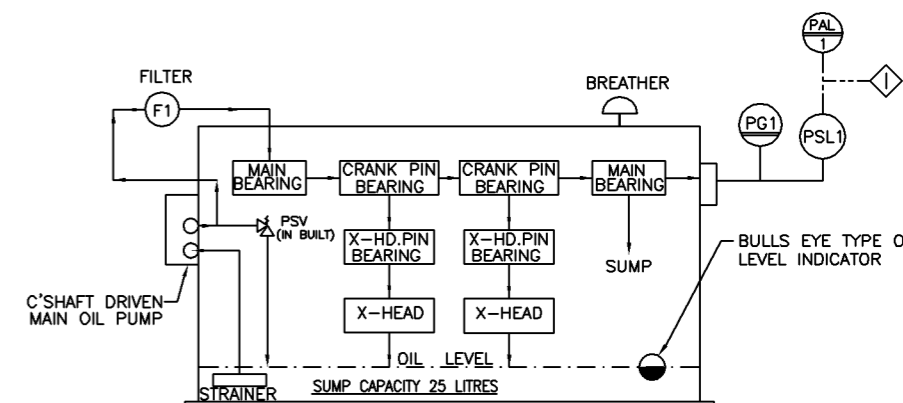


TERMINAL CONNECTIONS

MARK SYMBOL	DESCRIPTION	CONNECTION	
		FLANGE ANSI B 16.5	THREADED
A1	1st. STAGE SUCTION	8"-150#	
A2	AFTER COOLER DISCHARGE CONNECTION	5"-150#	
A3	INSTRUMENT AIR CONNECTION		0.50 NPT.(F)
D1	WATER INLET COMMON HEADER	3"-150#	
D2	WATER OUTLET COMMON HEADER	3"-150#	
G1	ADT DRAIN CONNECTION FOR I/C 1st STAGE		0.50 NPT.(F)
G2	ADT DRAIN CONNECTION FOR A/C		0.50 NPT.(F)

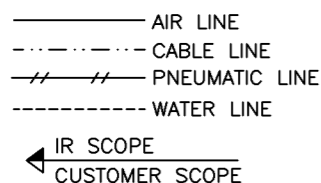
NOTES :

1. THIS DRAWING IS ONLY A SYMBOLIC REPRESENTATION AS SUGGESTED OF PIPING INSTRUMENTATION & ACCESSORIES. IT SHOULD NOT BE INTERPRETED FOR PHYSICAL POSITIONING OF THE COMPONENTS.
2. CUSTOMER TO CONNECT IT BETWEEN AIR RECEIVER AND 1/2" INSTRUMENT AIR ON PACKAGE
3. FOR PRESS. SWITCH & SOLENOID VALVE SEE PANEL DRAWING.



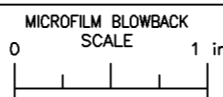
□	SIGHT FLOW GLASS
○	COUPLING
⊗	BALL VALVE
⊘	GLOBE VALVE
⊚	GATE VALVE
⊕	SAFETY VALVE
○	FIELD MOUNTED
◇	TRIP INTERLOCK
⊖	PANEL MOUNTED
⊕	GAUGE BOARD MOUNTED

LEGENDS



COPYRIGHT © 2001
INGERSOLL-RAND COMPANY
ALL RIGHTS RESERVED
DRAWING CONFORMS TO
ASME Y14.5M - 1994

WARNING: THE EXPORT OR REEXPORT OF THIS DRAWING OR A PRODUCT PRODUCED BY THIS DRAWING IS SUBJECT TO U.S. EXPORT ADMINISTRATION REGULATIONS AND OTHER APPLICABLE GOVERNMENTAL RESTRICTIONS OR REGULATIONS.



PROPRIETARY NOTICE

THIS DOCUMENT CONTAINS CONFIDENTIAL AND TRADE SECRET INFORMATION, IS THE PROPERTY OF INGERSOLL-RAND COMPANY, AND IS GIVEN TO THE RECEIVER IN CONFIDENCE. THE RECEIVER BY RECEPTION AND RETENTION OF THE DOCUMENT ACCEPTS THE DOCUMENT IN CONFIDENCE AND AGREES THAT, EXCEPT AS AUTHORIZED IN WRITING BY INGERSOLL-RAND COMPANY, IT WILL (1) NOT USE THE DOCUMENT OR ANY COPY THEREOF OR THE CONFIDENTIAL OR TRADE SECRET INFORMATION THEREIN; (2) NOT COPY THE DOCUMENT; (3) NOT DISCLOSE TO OTHERS EITHER THE DOCUMENT OR THE CONFIDENTIAL OR TRADE SECRET INFORMATION THEREIN; AND (4) UPON COMPLETION OF THE NEED TO RETAIN THE DOCUMENT, OR UPON DEMAND, RETURN THE DOCUMENT, ALL COPIES THEREOF, AND ALL MATERIAL COPIED THEREFROM.

DRAWN	JSP	DATE	25JUL06
CHECKED	KPN	DATE	25JUL06
APPRVD	JBR	DATE	25JUL06
CHG. NOS.			
SCALE	NTS		
FSCM	6R484		



TITLE			
DIAGRAM, P&I IS2 180			
SIZE	ECN	DWG NO.	REV
B	ENL01763	17292129	00
WT.	UNIT : INDStar	SHEET 1	OF 2

REVISIONS					
REV	ECN	DESCRIPTION	DWN	APV	DATE
00	ENL01763	ORIGINAL RELEASE	JSP	JBR	25JUL06

INSTRUMENT SCHEDULE

SR. NO.	TAG NO.	DESCRIPTION	RANGE	PRO. CONN.	SETTING	LOCATION
1	PG1	PRESS. GAUGE 4" DIAL	0-6 kg/Cm ² g	.50"NPT	-	FRAME OIL PANEL MOUNTED
2	PG2	PRESS. GAUGE 4" DIAL	0-6 kg/Cm ² g	.50"NPT	-	INTERSTAGE AIR DISCH. PANEL MOUNTED
3	PG3	PRESS. GAUGE 4" DIAL	0-16 kg/Cm ² g	.50"NPT	-	FINAL AIR DISCH. PANEL MOUNTED
4	TSH1	TEMP. SWITCH HIGH	120-215°C	.75"NPT	*	1st. STAGE AIR DISCH.
5	TSH2	TEMP. SWITCH HIGH	120-215°C	.75"NPT	*	2nd. STAGE AIR DISCH.
6	PSL1	PRESS. SWITCH LOW	0-70 PSIG	.25"BSP	8 PSIG	COMPRESSOR FRAME
7	PSL2	PRESS. SWITCH LOW	0-70 PSIG	.25"BSP	25 PSIG	COOLING WATER OUTLET HEADER
8	SRV1	SAFETY VALVE	-	2.00"BSPT	45 PSIG	I/C WITH M/S
9	SRV2	SAFETY VALVE	-	1.50"NPT	115 PSIG	A/C WITH M/S

* THIS TEMPERATURE SWITCH IS INDICATIVE THE TEMPERATURE SHOULD BE SET AT 30°F (16.6°C) ABOVE NORMAL OPERATING TEMPERATURE FOR SHUT DOWN AND 20°F (11.11°C) ABOVE NORMAL OPERATING TEMPERATURE FOR ALARM.

UTILITIES DATA FOR PACKAGES

A. COMPRESSOR FRAME OIL

PHYSICAL AND CHEMICAL REQUIREMENTS

FLASH POINT - 380°F (193°C) MINIMUM (OPEN CUP)
 VISCOSITY AT 100°F - 780 SSU (168.4 CENTISTOKES) MAXIMUM (37.8°C)
 VISCOSITY AT 210°F - 60 SSU (10.2 CENTISTOKES) MINIMUM (98.9°C)
 CARBON RESIDUE - 0.45 MAXIMUM (CONRADSON)
 STRONG ACID NUMBER - 0.000 MAXIMUM

EQUIVALENT GRADE : ISO VG 220

B. WATER QUANTITY

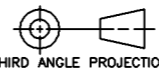

COOLING WATER REQUIREMENTS : (PER COMPRESSOR)

FOR INTER COOLER : 140 LPM
 FOR LP. CYLINDER : 70 LPM
 FOR HP. CYLINDER : 60 LPM
 FOR AFTERCOOLER : 230 LPM
 TOTAL WATER REQUIRED : 370 LPM

C. ELECTRICAL SUPPLY (CUSTOMER SCOPE)

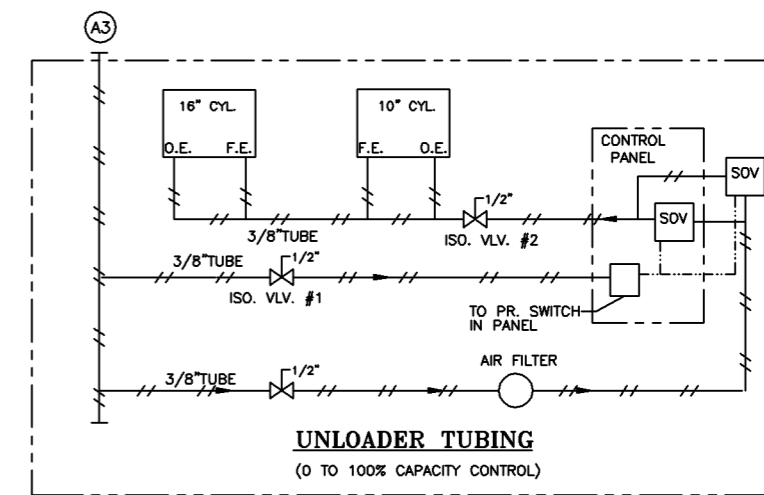
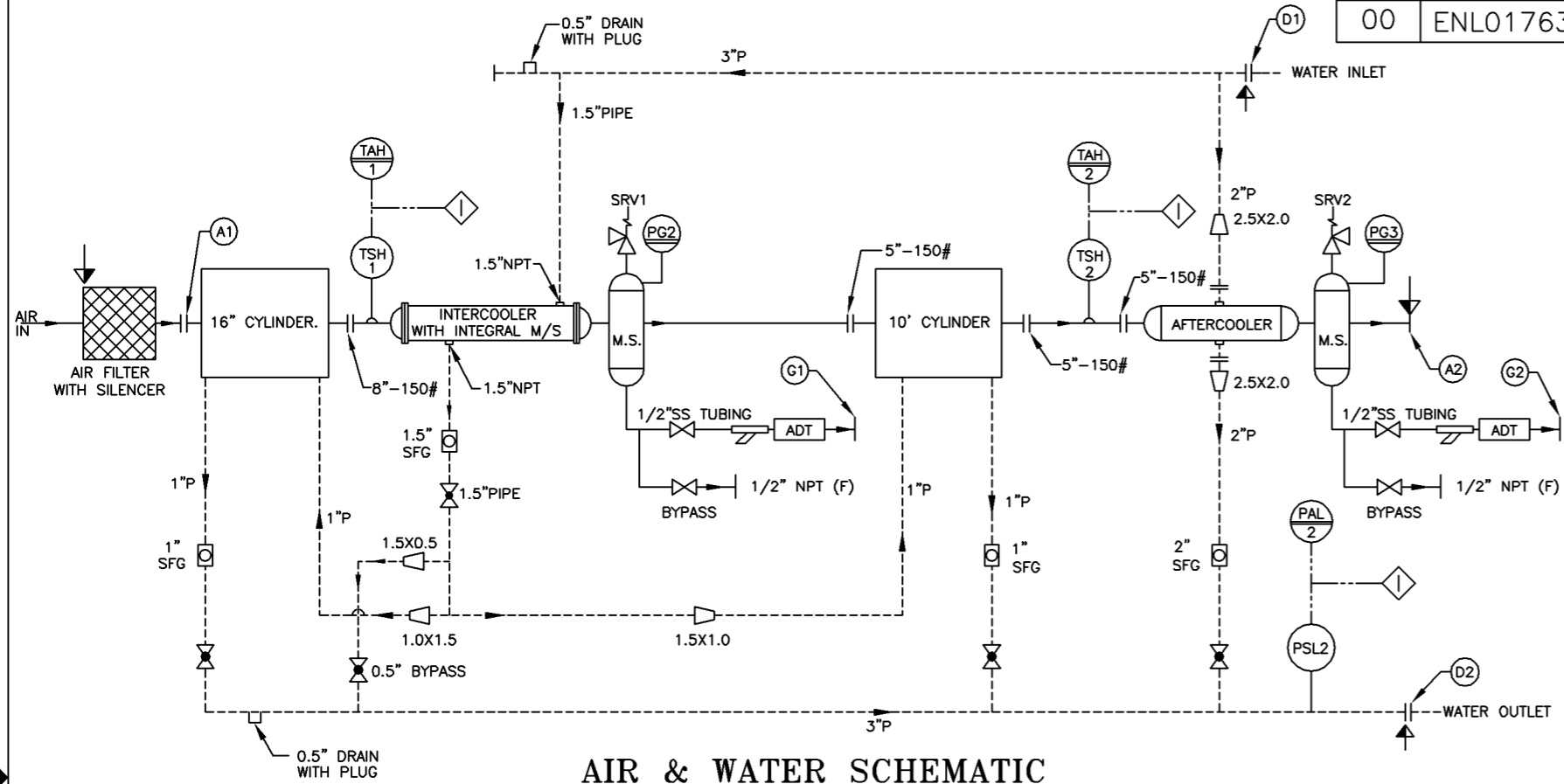
a. CUSTOMER TO CONNECT POWER CABLE SUITABLE FOR 180 H.P. (415V AC 3 PHASE 4 WIRE 50 Hz) MOTOR. THIS CABLES TO BE CONNECTED TO PANEL ON MAIN PACKAGE

CONFIGURATION: 16 & 10 x 7 PHE7

COPYRIGHT © 2001 INGERSOLL-RAND COMPANY ALL RIGHTS RESERVED DRAWING CONFORMS TO ASME Y14.5M - 1994	WARNING: THE EXPORT OR REEXPORT OF THIS DRAWING OR A PRODUCT PRODUCED BY THIS DRAWING IS SUBJECT TO U.S. EXPORT ADMINISTRATION REGULATIONS AND OTHER APPLICABLE GOVERNMENTAL RESTRICTIONS OR REGULATIONS.	MICROFILM BLOWBACK SCALE 0 1 in	 THIRD ANGLE PROJECTION	 INDUSTRIAL AIR SOLUTIONS, HEAVY INDUSTRIAL SYSTEMS NARODA PLANT, AHMEDABAD.			
	PROPRIETARY NOTICE THIS DOCUMENT CONTAINS CONFIDENTIAL AND TRADE SECRET INFORMATION, IS THE PROPERTY OF INGERSOLL-RAND COMPANY, AND IS GIVEN TO THE RECEIVER IN CONFIDENCE. THE RECEIVER BY RECEPTION AND RETENTION OF THE DOCUMENT ACCEPTS THE DOCUMENT IN CONFIDENCE AND AGREES THAT, EXCEPT AS AUTHORIZED IN WRITING BY INGERSOLL-RAND COMPANY, IT WILL (1) NOT USE THE DOCUMENT OR ANY COPY THEREOF OR THE CONFIDENTIAL OR TRADE SECRET INFORMATION THEREIN; (2) NOT COPY THE DOCUMENT; (3) NOT DISCLOSE TO OTHERS EITHER THE DOCUMENT OR THE CONFIDENTIAL OR TRADE SECRET INFORMATION THEREIN; AND (4) UPON COMPLETION OF THE NEED TO RETAIN THE DOCUMENT, OR UPON DEMAND, RETURN THE DOCUMENT, ALL COPIES THEREOF, AND ALL MATERIAL COPIED THEREFROM.	DRAWN JSP	DATE 25JUL06	TITLE DIAGRAM, P&I IS2 180			
		CHECKED KPN	DATE 25JUL06	SIZE B	ECN ENL01763	DWG NO. 17292129	REV 00
		APPRVD JBR	DATE 25JUL06	CHG. NOS. SCALE NTS	WT.	UNIT : INDStar	SHEET 2 OF 2
		FSCM 6R484					

REVISIONS

REV	ECN	DESCRIPTION	DWN	APV	DATE
00	ENL01763	ORIGINAL RELEASE	JSP	JBR	25JUL06

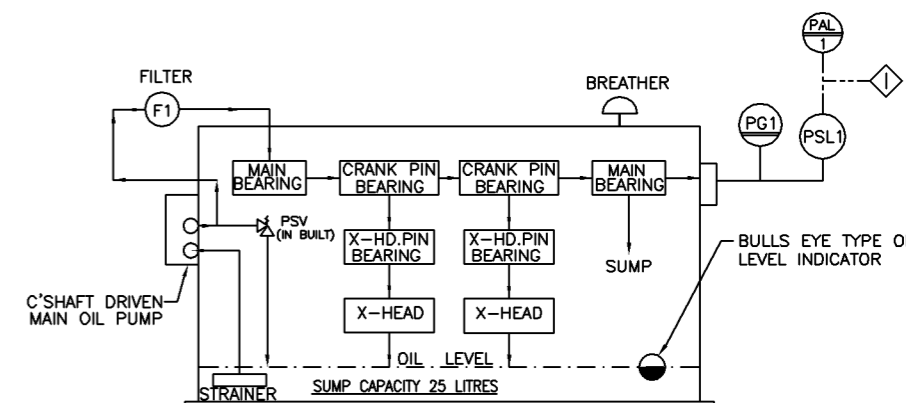


TERMINAL CONNECTIONS

MARK SYMBOL	DESCRIPTION	CONNECTION	
		FLANGE ANSI B 16.5	THREADED
A1	1st. STAGE SUCTION	8"-150#	
A2	AFTER COOLER DISCHARGE CONNECTION	5"-150#	
A3	INSTRUMENT AIR CONNECTION		0.50 NPT.(F)
D1	WATER INLET COMMON HEADER	3"-150#	
D2	WATER OUTLET COMMON HEADER	3"-150#	
G1	ADT DRAIN CONNECTION FOR I/C 1st STAGE		0.50 NPT.(F)
G2	ADT DRAIN CONNECTION FOR A/C		0.50 NPT.(F)

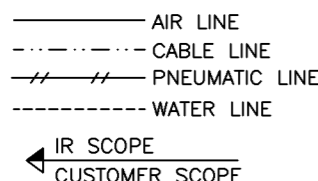
NOTES :

1. THIS DRAWING IS ONLY A SYMBOLIC REPRESENTATION AS SUGGESTED OF PIPING INSTRUMENTATION & ACCESSORIES. IT SHOULD NOT BE INTERPRETED FOR PHYSICAL POSITIONING OF THE COMPONENTS.
2. CUSTOMER TO CONNECT IT BETWEEN AIR RECEIVER AND 1/2" INSTRUMENT AIR ON PACKAGE
3. FOR PRESS. SWITCH & SOLENOID VALVE SEE PANEL DRAWING.



	SIGHT FLOW GLASS
	COUPLING
	BALL VALVE
	GLOBE VALVE
	GATE VALVE
	SAFETY VALVE
	FIELD MOUNTED
	TRIP INTERLOCK
	PANEL MOUNTED
	GAUGE BOARD MOUNTED

LEGENDS



COPYRIGHT © 2001 INGERSOLL-RAND COMPANY ALL RIGHTS RESERVED DRAWING CONFORMS TO ASME Y14.5M - 1994		WARNING: THE EXPORT OR REEXPORT OF THIS DRAWING OR A PRODUCT PRODUCED BY THIS DRAWING IS SUBJECT TO U.S. EXPORT ADMINISTRATION REGULATIONS AND OTHER APPLICABLE GOVERNMENTAL RESTRICTIONS OR REGULATIONS.		MICROFILM BLOWBACK SCALE 0 1 in		THIRD ANGLE PROJECTION		INDUSTRIAL AIR SOLUTIONS, HEAVY INDUSTRIAL SYSTEMS NARODA PLANT, AHMEDABAD.	
PROPRIETARY NOTICE THIS DOCUMENT CONTAINS CONFIDENTIAL AND TRADE SECRET INFORMATION, IS THE PROPERTY OF INGERSOLL-RAND COMPANY, AND IS GIVEN TO THE RECEIVER IN CONFIDENCE. THE RECEIVER BY RECEPTION AND RETENTION OF THE DOCUMENT ACCEPTS THE DOCUMENT IN CONFIDENCE AND AGREES THAT, EXCEPT AS AUTHORIZED IN WRITING BY INGERSOLL-RAND COMPANY, IT WILL (1) NOT USE THE DOCUMENT OR ANY COPY THEREOF OR THE CONFIDENTIAL OR TRADE SECRET INFORMATION THEREIN; (2) NOT COPY THE DOCUMENT; (3) NOT DISCLOSE TO OTHERS EITHER THE DOCUMENT OR THE CONFIDENTIAL OR TRADE SECRET INFORMATION THEREIN; AND (4) UPON COMPLETION OF THE NEED TO RETAIN THE DOCUMENT, OR UPON DEMAND, RETURN THE DOCUMENT, ALL COPIES THEREOF, AND ALL MATERIAL COPIED THEREFROM.		DRAWN DATE JSP 25JUL06		CHECKED KPN 25JUL06		APPRVD JBR 25JUL06		TITLE DIAGRAM, P&I IS2 215	
CHG. NOS. SCALE NTS		FSCM 6R484		SIZE B		ECN ENL01763		DWG NO. 17292137	
REV 00		UNIT : INDStar		SHEET 1 OF 2		WT.		REV 00	

REVISIONS					
REV	ECN	DESCRIPTION	DWN	APV	DATE
00	ENL01763	ORIGINAL RELEASE	JSP	JBR	25JUL06

INSTRUMENT SCHEDULE

SR. NO.	TAG NO.	DESCRIPTION	RANGE	PRO. CONN.	SETTING	LOCATION
1	PG1	PRESS. GAUGE 4" DIAL	0-6 kg/Cm ² g	.50"NPT	-	FRAME OIL PANEL MOUNTED
2	PG2	PRESS. GAUGE 4" DIAL	0-6 kg/Cm ² g	.50"NPT	-	INTERSTAGE AIR DISCH. PANEL MOUNTED
3	PG3	PRESS. GAUGE 4" DIAL	0-16 kg/Cm ² g	.50"NPT	-	FINAL AIR DISCH. PANEL MOUNTED
4	TSH1	TEMP. SWITCH HIGH	120-215°C	.75"NPT	*	1st. STAGE AIR DISCH.
5	TSH2	TEMP. SWITCH HIGH	120-215°C	.75"NPT	*	2nd. STAGE AIR DISCH.
6	PSL1	PRESS. SWITCH LOW	0-70 PSIG	.25"BSP	8 PSIG	COMPRESSOR FRAME
7	PSL2	PRESS. SWITCH LOW	0-70 PSIG	.25"BSP	25 PSIG	COOLING WATER OUTLET HEADER
8	SRV1	SAFETY VALVE	-	2.00"BSPT	45 PSIG	I/C WITH M/S
9	SRV2	SAFETY VALVE	-	1.50"NPT	115 PSIG	A/C WITH M/S

* THIS TEMPERATURE SWITCH IS INDICATIVE THE TEMPERATURE SHOULD BE SET AT 30°F (16.6°C) ABOVE NORMAL OPERATING TEMPERATURE FOR SHUT DOWN AND 20°F (11.11°C) ABOVE NORMAL OPERATING TEMPERATURE FOR ALARM.

UTILITIES DATA FOR PACKAGES

A. COMPRESSOR FRAME OIL

PHYSICAL AND CHEMICAL REQUIREMENTS

FLASH POINT - 380°F (193°C) MINIMUM (OPEN CUP)
 VISCOSITY AT 100°F - 780 SSU (168.4 CENTISTOKES) MAXIMUM (37.8°C)
 VISCOSITY AT 210°F - 60 SSU (10.2 CENTISTOKES) MINIMUM (98.9°C)
 CARBON RESIDUE - 0.45 MAXIMUM (CONRADSON)
 STRONG ACID NUMBER - 0.000 MAXIMUM

EQUIVALENT GRADE : ISO VG 220

B. WATER QUANTITY

COOLING WATER REQUIREMENTS : (PER COMPRESSOR)
 FOR INTER COOLER : 140 LPM
 FOR LP. CYLINDER : 70 LPM
 FOR HP. CYLINDER : 60 LPM
 FOR AFTERCOOLER : 230 LPM
 TOTAL WATER REQUIRED : 370 LPM

C. ELECTRICAL SUPPLY (CUSTOMER SCOPE)

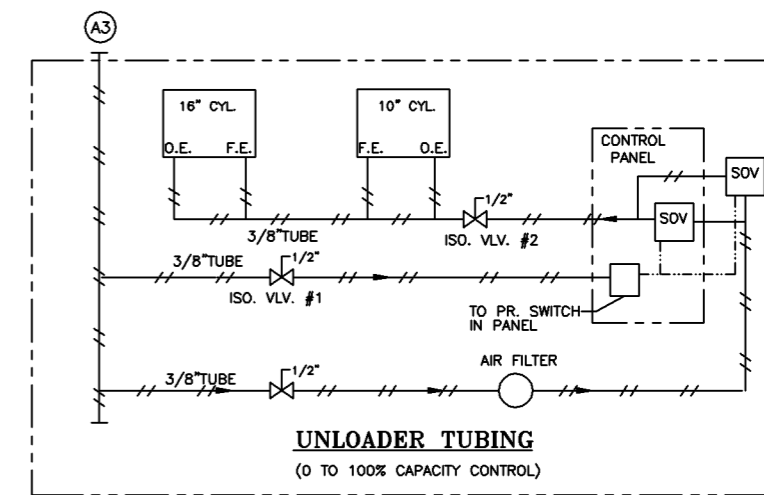
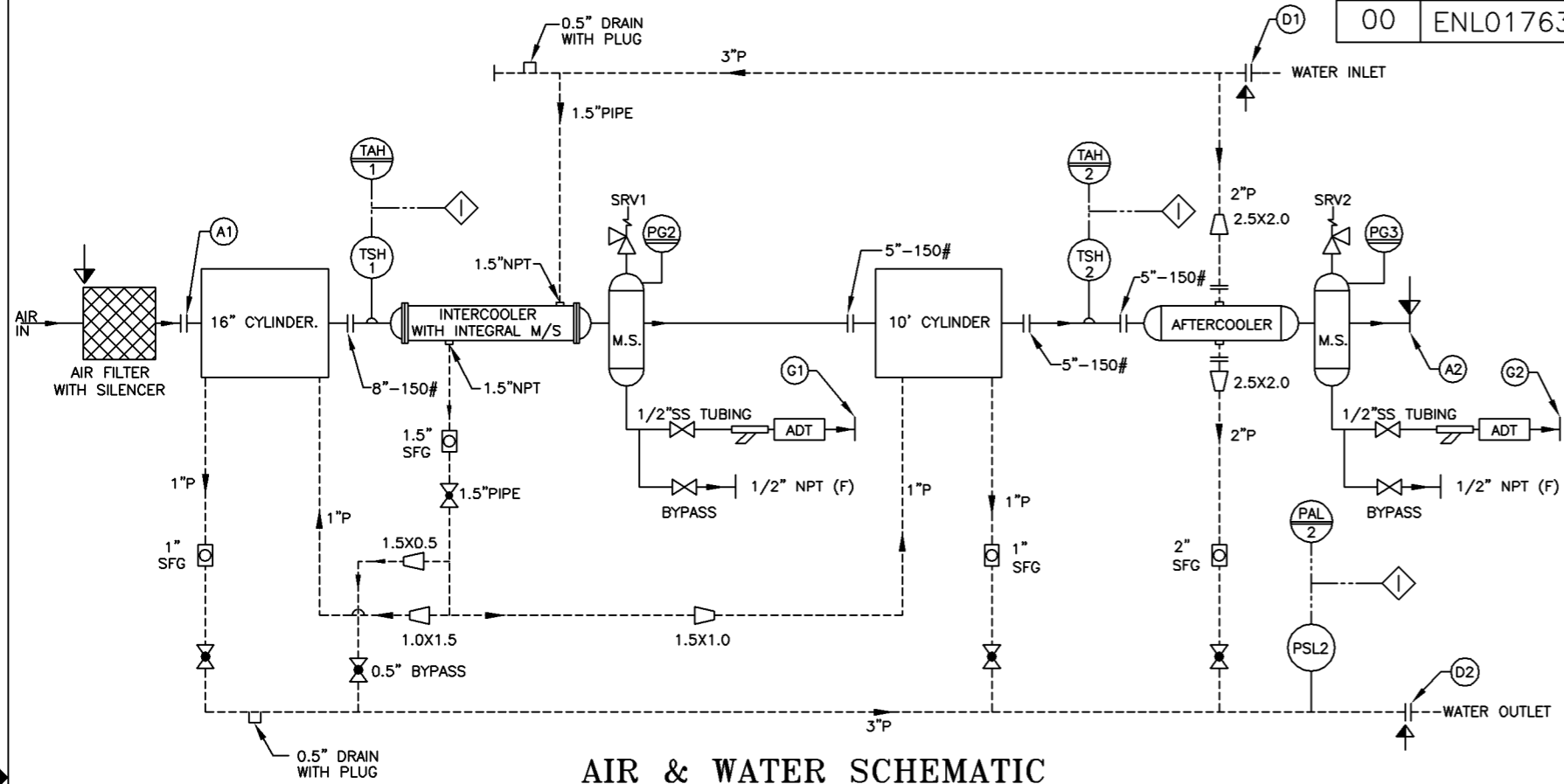
a. CUSTOMER TO CONNECT POWER CABLE SUITABLE FOR 215 H.P. (415V AC 3 PHASE 4 WIRE 50 Hz) MOTOR. THIS CABLES TO BE CONNECTED TO PANEL ON MAIN PACKAGE

CONFIGURATION: 16 & 10 x 7 PHE7

COPYRIGHT © 2001 INGERSOLL-RAND COMPANY ALL RIGHTS RESERVED DRAWING CONFORMS TO ASME Y14.5M - 1994	WARNING: THE EXPORT OR REEXPORT OF THIS DRAWING OR A PRODUCT PRODUCED BY THIS DRAWING IS SUBJECT TO U.S. EXPORT ADMINISTRATION REGULATIONS AND OTHER APPLICABLE GOVERNMENTAL RESTRICTIONS OR REGULATIONS.	MICROFILM BLOWBACK SCALE 0 1 in	THIRD ANGLE PROJECTION	INDUSTRIAL AIR SOLUTIONS, HEAVY INDUSTRIAL SYSTEMS NARODA PLANT, AHMEDABAD.				
	PROPRIETARY NOTICE THIS DOCUMENT CONTAINS CONFIDENTIAL AND TRADE SECRET INFORMATION, IS THE PROPERTY OF INGERSOLL-RAND COMPANY, AND IS GIVEN TO THE RECEIVER IN CONFIDENCE. THE RECEIVER BY RECEPTION AND RETENTION OF THE DOCUMENT ACCEPTS THE DOCUMENT IN CONFIDENCE AND AGREES THAT, EXCEPT AS AUTHORIZED IN WRITING BY INGERSOLL-RAND COMPANY, IT WILL (1) NOT USE THE DOCUMENT OR ANY COPY THEREOF OR THE CONFIDENTIAL OR TRADE SECRET INFORMATION THEREIN; (2) NOT COPY THE DOCUMENT; (3) NOT DISCLOSE TO OTHERS EITHER THE DOCUMENT OR THE CONFIDENTIAL OR TRADE SECRET INFORMATION THEREIN; AND (4) UPON COMPLETION OF THE NEED TO RETAIN THE DOCUMENT, OR UPON DEMAND, RETURN THE DOCUMENT, ALL COPIES THEREOF, AND ALL MATERIAL COPIED THEREFROM.	DRAWN JSP	DATE 25JUL06	TITLE DIAGRAM, P&I IS2 215				
			CHECKED KPN	DATE 25JUL06	SIZE B	ECN ENL01763	DWG NO. 17292137	REV 00
			APPRVD JBR	DATE 25JUL06	WT.	UNIT : INDStar	SHEET 2 OF 2	
			CHG. NOS. SCALE NTS	FSCM 6R484				

REVISIONS

REV	ECN	DESCRIPTION	DWN	APV	DATE
00	ENL01763	ORIGINAL RELEASE	JSP	JBR	25JUL06

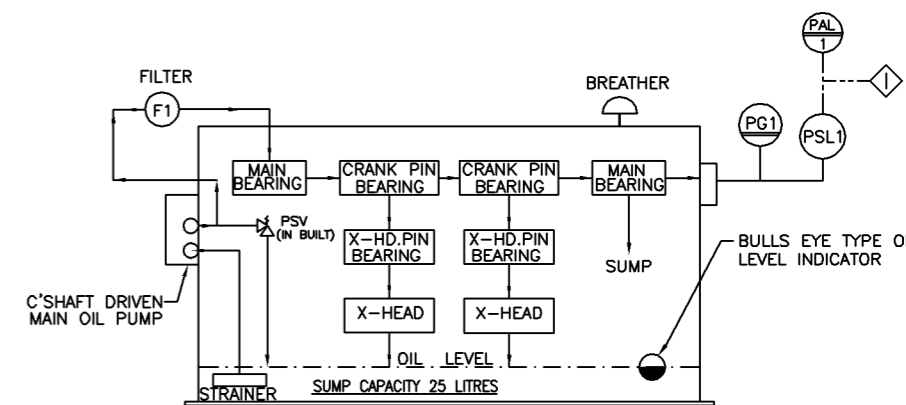


TERMINAL CONNECTIONS

MARK SYMBOL	DESCRIPTION	CONNECTION	
		FLANGE ANSI B 16.5	THREADED
A1	1st. STAGE SUCTION	8"-150#	
A2	AFTER COOLER DISCHARGE CONNECTION	5"-150#	
A3	INSTRUMENT AIR CONNECTION		0.50 NPT.(F)
D1	WATER INLET COMMON HEADER	3"-150#	
D2	WATER OUTLET COMMON HEADER	3"-150#	
G1	ADT DRAIN CONNECTION FOR I/C 1st STAGE		0.50 NPT.(F)
G2	ADT DRAIN CONNECTION FOR A/C		0.50 NPT.(F)

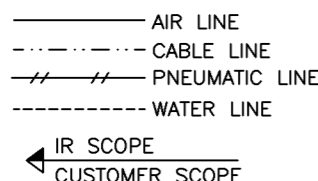
NOTES :

1. THIS DRAWING IS ONLY A SYMBOLIC REPRESENTATION AS SUGGESTED OF PIPING INSTRUMENTATION & ACCESSORIES. IT SHOULD NOT BE INTERPRETED FOR PHYSICAL POSITIONING OF THE COMPONENTS.
2. CUSTOMER TO CONNECT IT BETWEEN AIR RECEIVER AND 1/2" INSTRUMENT AIR ON PACKAGE
3. FOR PRESS. SWITCH & SOLENOID VALVE SEE PANEL DRAWING.



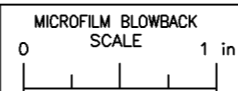
	SIGHT FLOW GLASS
	COUPLING
	BALL VALVE
	GLOBE VALVE
	GATE VALVE
	SAFETY VALVE
	FIELD MOUNTED
	TRIP INTERLOCK
	PANEL MOUNTED
	GAUGE BOARD MOUNTED

LEGENDS



COPYRIGHT © 2001
INGERSOLL-RAND COMPANY
ALL RIGHTS RESERVED
DRAWING CONFORMS TO
ASME Y14.5M - 1994

WARNING: THE EXPORT OR REEXPORT OF THIS DRAWING OR A PRODUCT PRODUCED BY THIS DRAWING IS SUBJECT TO U.S. EXPORT ADMINISTRATION REGULATIONS AND OTHER APPLICABLE GOVERNMENTAL RESTRICTIONS OR REGULATIONS.



PROPRIETARY NOTICE
THIS DOCUMENT CONTAINS CONFIDENTIAL AND TRADE SECRET INFORMATION, IS THE PROPERTY OF INGERSOLL-RAND COMPANY, AND IS GIVEN TO THE RECEIVER IN CONFIDENCE. THE RECEIVER BY RECEPTION AND RETENTION OF THE DOCUMENT ACCEPTS THE DOCUMENT IN CONFIDENCE AND AGREES THAT, EXCEPT AS AUTHORIZED IN WRITING BY INGERSOLL-RAND COMPANY, IT WILL (1) NOT USE THE DOCUMENT OR ANY COPY THEREOF OR THE CONFIDENTIAL OR TRADE SECRET INFORMATION THEREIN; (2) NOT COPY THE DOCUMENT; (3) NOT DISCLOSE TO OTHERS EITHER THE DOCUMENT OR THE CONFIDENTIAL OR TRADE SECRET INFORMATION THEREIN; AND (4) UPON COMPLETION OF THE NEED TO RETAIN THE DOCUMENT, OR UPON DEMAND, RETURN THE DOCUMENT, ALL COPIES THEREOF, AND ALL MATERIAL COPIED THEREFROM.

DRAWN	DATE
JSP	25JUL06
CHECKED	
KPN	25JUL06
APPRVD	
JBR	25JUL06
CHG. NOS.	
SCALE	NTS
FSCM	6R484



TITLE			
DIAGRAM, P&I IS2 215H			
SIZE	ECN	DWG NO.	REV
B	ENL01763	17292251	00
WT.	UNIT : INDStar		SHEET 1 OF 2

REVISIONS					
REV	ECN	DESCRIPTION	DWN	APV	DATE
00	ENL01763	ORIGINAL RELEASE	JSP	JBR	25JUL06

INSTRUMENT SCHEDULE

SR. NO.	TAG NO.	DESCRIPTION	RANGE	PRO. CONN.	SETTING	LOCATION
1	PG1	PRESS. GAUGE 4" DIAL	0-6 kg/Cm ² g	.50"NPT	-	FRAME OIL PANEL MOUNTED
2	PG2	PRESS. GAUGE 4" DIAL	0-6 kg/Cm ² g	.50"NPT	-	INTERSTAGE AIR DISCH. PANEL MOUNTED
3	PG3	PRESS. GAUGE 4" DIAL	0-16 kg/Cm ² g	.50"NPT	-	FINAL AIR DISCH. PANEL MOUNTED
4	TSH1	TEMP. SWITCH HIGH	120-215°C	.75"NPT	*	1st. STAGE AIR DISCH.
5	TSH2	TEMP. SWITCH HIGH	120-215°C	.75"NPT	*	2nd. STAGE AIR DISCH.
6	PSL1	PRESS. SWITCH LOW	0-70 PSIG	.25"BSP	8 PSIG	COMPRESSOR FRAME
7	PSL2	PRESS. SWITCH LOW	0-70 PSIG	.25"BSP	25 PSIG	COOLING WATER OUTLET HEADER
8	SRV1	SAFETY VALVE	-	2.00"BSPT	45 PSIG	I/C WITH M/S
9	SRV2	SAFETY VALVE	-	1.50"NPT	140 PSIG	A/C WITH M/S

* THIS TEMPERATURE SWITCH IS INDICATIVE THE TEMPERATURE SHOULD BE SET AT 30°F (16.6°C) ABOVE NORMAL OPERATING TEMPERATURE FOR SHUT DOWN AND 20°F (11.11°C) ABOVE NORMAL OPERATING TEMPERATURE FOR ALARM.

UTILITIES DATA FOR PACKAGES

A. COMPRESSOR FRAME OIL

PHYSICAL AND CHEMICAL REQUIREMENTS

FLASH POINT - 380°F (193°C) MINIMUM (OPEN CUP)
 VISCOSITY AT 100°F - 780 SSU (168.4 CENTISTOKES) MAXIMUM (37.8°C)
 VISCOSITY AT 210°F - 60 SSU (10.2 CENTISTOKES) MINIMUM (98.9°C)
 CARBON RESIDUE - 0.45 MAXIMUM (CONRADSON)
 STRONG ACID NUMBER - 0.000 MAXIMUM

EQUIVALENT GRADE : ISO VG 220

B. WATER QUANTITY

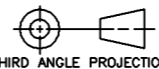

COOLING WATER REQUIREMENTS : (PER COMPRESSOR)

FOR INTER COOLER : 140 LPM
 FOR LP. CYLINDER : 70 LPM
 FOR HP. CYLINDER : 60 LPM
 FOR AFTERCOOLER : 230 LPM
 TOTAL WATER REQUIRED : 370 LPM

C. ELECTRICAL SUPPLY (CUSTOMER SCOPE)

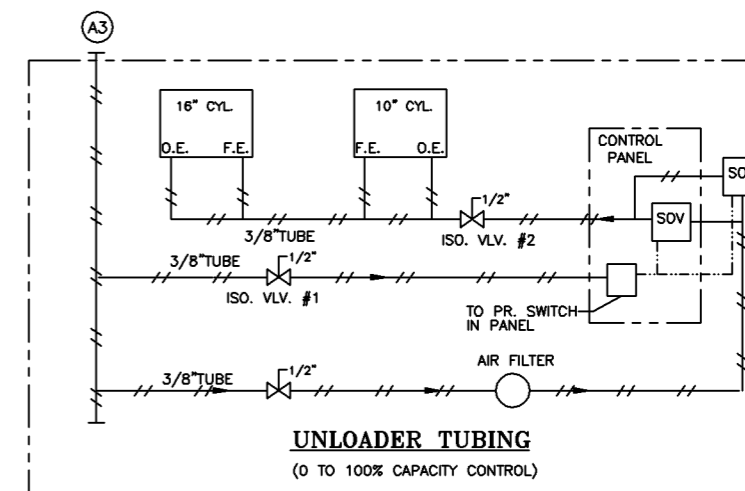
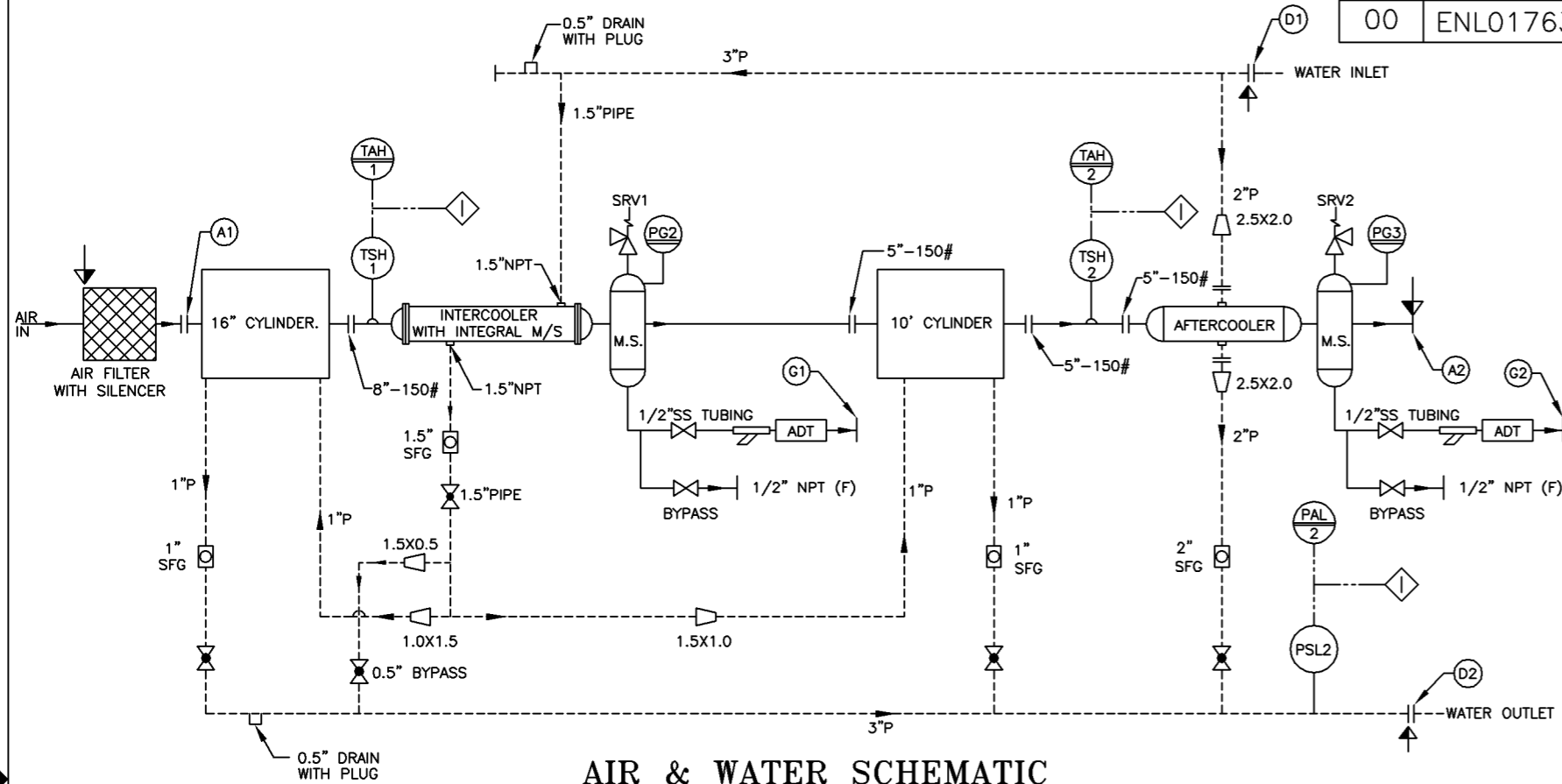
a. CUSTOMER TO CONNECT POWER CABLE SUITABLE FOR 215 H.P. (415V AC 3 PHASE 4 WIRE 50 Hz) MOTOR. THIS CABLES TO BE CONNECTED TO PANEL ON MAIN PACKAGE

CONFIGURATION: 16 & 10 x 7 PHE7

COPYRIGHT © 2001 INGERSOLL-RAND COMPANY ALL RIGHTS RESERVED DRAWING CONFORMS TO ASME Y14.5M - 1994	WARNING: THE EXPORT OR REEXPORT OF THIS DRAWING OR A PRODUCT PRODUCED BY THIS DRAWING IS SUBJECT TO U.S. EXPORT ADMINISTRATION REGULATIONS AND OTHER APPLICABLE GOVERNMENTAL RESTRICTIONS OR REGULATIONS.	MICROFILM BLOWBACK SCALE 0 1 in	 THIRD ANGLE PROJECTION	 INDUSTRIAL AIR SOLUTIONS, HEAVY INDUSTRIAL SYSTEMS NARODA PLANT, AHMEDABAD.			
	PROPRIETARY NOTICE THIS DOCUMENT CONTAINS CONFIDENTIAL AND TRADE SECRET INFORMATION, IS THE PROPERTY OF INGERSOLL-RAND COMPANY, AND IS GIVEN TO THE RECEIVER IN CONFIDENCE. THE RECEIVER BY RECEPTION AND RETENTION OF THE DOCUMENT ACCEPTS THE DOCUMENT IN CONFIDENCE AND AGREES THAT, EXCEPT AS AUTHORIZED IN WRITING BY INGERSOLL-RAND COMPANY, IT WILL (1) NOT USE THE DOCUMENT OR ANY COPY THEREOF OR THE CONFIDENTIAL OR TRADE SECRET INFORMATION THEREIN; (2) NOT COPY THE DOCUMENT; (3) NOT DISCLOSE TO OTHERS EITHER THE DOCUMENT OR THE CONFIDENTIAL OR TRADE SECRET INFORMATION THEREIN; AND (4) UPON COMPLETION OF THE NEED TO RETAIN THE DOCUMENT, OR UPON DEMAND, RETURN THE DOCUMENT, ALL COPIES THEREOF, AND ALL MATERIAL COPIED THEREFROM.	DRAWN JSP DATE 25JUL06	CHECKED KPN DATE 25JUL06	APPRVD JBR DATE 25JUL06	TITLE DIAGRAM, P&I IS2 215H		
		SCALE NTS	CHG. NOS. FSCM 6R484	SIZE B	ECN ENL01763	DWG NO. 17292251	REV 00
				WT.	UNIT : INDStar	SHEET 2 OF 2	

REVISIONS

REV	ECN	DESCRIPTION	DWN	APV	DATE
00	ENL01763	ORIGINAL RELEASE	JSP	JBR	25JUL06

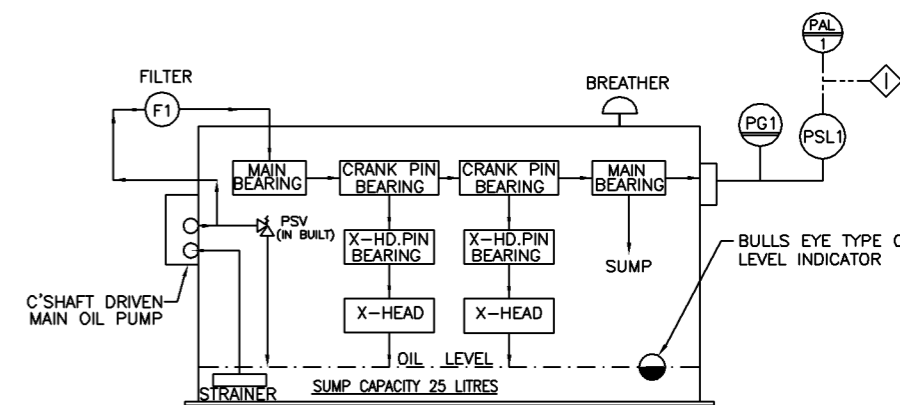


TERMINAL CONNECTIONS

MARK SYMBOL	DESCRIPTION	CONNECTION	
		FLANGE ANSI B 16.5	THREADED
A1	1st. STAGE SUCTION	8"-150#	
A2	AFTER COOLER DISCHARGE CONNECTION	5"-150#	
A3	INSTRUMENT AIR CONNECTION		0.50 NPT.(F)
D1	WATER INLET COMMON HEADER	3"-150#	
D2	WATER OUTLET COMMON HEADER	3"-150#	
G1	ADT DRAIN CONNECTION FOR I/C 1st STAGE		0.50 NPT.(F)
G2	ADT DRAIN CONNECTION FOR A/C		0.50 NPT.(F)

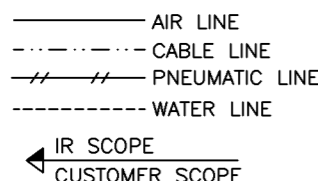
NOTES :

1. THIS DRAWING IS ONLY A SYMBOLIC REPRESENTATION AS SUGGESTED OF PIPING INSTRUMENTATION & ACCESSORIES. IT SHOULD NOT BE INTERPRETED FOR PHYSICAL POSITIONING OF THE COMPONENTS.
2. CUSTOMER TO CONNECT IT BETWEEN AIR RECEIVER AND 1/2" INSTRUMENT AIR ON PACKAGE
3. FOR PRESS. SWITCH & SOLENOID VALVE SEE PANEL DRAWING.



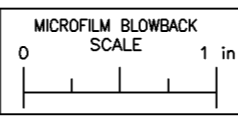
	SIGHT FLOW GLASS
	COUPLING
	BALL VALVE
	GLOBE VALVE
	GATE VALVE
	SAFETY VALVE
	FIELD MOUNTED
	TRIP INTERLOCK
	PANEL MOUNTED
	GAUGE BOARD MOUNTED

LEGENDS



COPYRIGHT © 2001
INGERSOLL-RAND COMPANY
ALL RIGHTS RESERVED
DRAWING CONFORMS TO
ASME Y14.5M - 1994

WARNING: THE EXPORT OR REEXPORT OF THIS DRAWING OR A PRODUCT PRODUCED BY THIS DRAWING IS SUBJECT TO U.S. EXPORT ADMINISTRATION REGULATIONS AND OTHER APPLICABLE GOVERNMENTAL RESTRICTIONS OR REGULATIONS.



PROPRIETARY NOTICE
THIS DOCUMENT CONTAINS CONFIDENTIAL AND TRADE SECRET INFORMATION, IS THE PROPERTY OF INGERSOLL-RAND COMPANY, AND IS GIVEN TO THE RECEIVER IN CONFIDENCE. THE RECEIVER BY RECEPTION AND RETENTION OF THE DOCUMENT ACCEPTS THE DOCUMENT IN CONFIDENCE AND AGREES THAT, EXCEPT AS AUTHORIZED IN WRITING BY INGERSOLL-RAND COMPANY, IT WILL (1) NOT USE THE DOCUMENT OR ANY COPY THEREOF OR THE CONFIDENTIAL OR TRADE SECRET INFORMATION THEREIN; (2) NOT COPY THE DOCUMENT; (3) NOT DISCLOSE TO OTHERS EITHER THE DOCUMENT OR THE CONFIDENTIAL OR TRADE SECRET INFORMATION THEREIN; AND (4) UPON COMPLETION OF THE NEED TO RETAIN THE DOCUMENT, OR UPON DEMAND, RETURN THE DOCUMENT, ALL COPIES THEREOF, AND ALL MATERIAL COPIED THEREFROM.

DRAWN	JSP	DATE	25JUL06
CHECKED	KPN	DATE	25JUL06
APPRVD	JBR	DATE	25JUL06
CHG. NOS.			
SCALE	NTS		
FSCM	6R484		



TITLE DIAGRAM, P&I IS2 240			
SIZE	ECN	DWG NO.	REV
B	ENL01763	17292145	00
WT.	UNIT : INDStar		SHEET 1 OF 2

REVISIONS					
REV	ECN	DESCRIPTION	DWN	APV	DATE
00	ENL01763	ORIGINAL RELEASE	JSP	JBR	25JUL06

INSTRUMENT SCHEDULE

SR. NO.	TAG NO.	DESCRIPTION	RANGE	PRO. CONN.	SETTING	LOCATION
1	PG1	PRESS. GAUGE 4" DIAL	0-6 kg/Cm ² g	.50"NPT	-	FRAME OIL PANEL MOUNTED
2	PG2	PRESS. GAUGE 4" DIAL	0-6 kg/Cm ² g	.50"NPT	-	INTERSTAGE AIR DISCH. PANEL MOUNTED
3	PG3	PRESS. GAUGE 4" DIAL	0-16 kg/Cm ² g	.50"NPT	-	FINAL AIR DISCH. PANEL MOUNTED
4	TSH1	TEMP. SWITCH HIGH	120-215°C	.75"NPT	*	1st. STAGE AIR DISCH.
5	TSH2	TEMP. SWITCH HIGH	120-215°C	.75"NPT	*	2nd. STAGE AIR DISCH.
6	PSL1	PRESS. SWITCH LOW	0-70 PSIG	.25"BSP	8 PSIG	COMPRESSOR FRAME
7	PSL2	PRESS. SWITCH LOW	0-70 PSIG	.25"BSP	25 PSIG	COOLING WATER OUTLET HEADER
8	SRV1	SAFETY VALVE	-	2.00"BSPT	45 PSIG	I/C WITH M/S
9	SRV2	SAFETY VALVE	-	1.50"NPT	115 PSIG	A/C WITH M/S

UTILITIES DATA FOR PACKAGES

A. COMPRESSOR FRAME OIL

PHYSICAL AND CHEMICAL REQUIREMENTS

FLASH POINT - 380°F (193°C) MINIMUM (OPEN CUP)
 VISCOSITY AT 100°F - 780 SSU (168.4 CENTISTOKES) MAXIMUM (37.8°C)
 VISCOSITY AT 210°F - 60 SSU (10.2 CENTISTOKES) MINIMUM (98.9°C)
 CARBON RESIDUE - 0.45 MAXIMUM (CONRADSON)
 STRONG ACID NUMBER - 0.000 MAXIMUM

EQUIVALENT GRADE : ISO VG 220

B. WATER QUANTITY

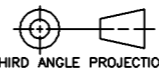

COOLING WATER REQUIREMENTS : (PER COMPRESSOR)
 FOR INTER COOLER : 140 LPM
 FOR LP. CYLINDER : 70 LPM
 FOR HP. CYLINDER : 60 LPM
 FOR AFTERCOOLER : 230 LPM
 TOTAL WATER REQUIRED : 370 LPM

C. ELECTRICAL SUPPLY (CUSTOMER SCOPE)

a. CUSTOMER TO CONNECT POWER CABLE SUITABLE FOR 240 H.P. (415V AC 3 PHASE 4 WIRE 50 Hz) MOTOR. THIS CABLES TO BE CONNECTED TO PANEL ON MAIN PACKAGE

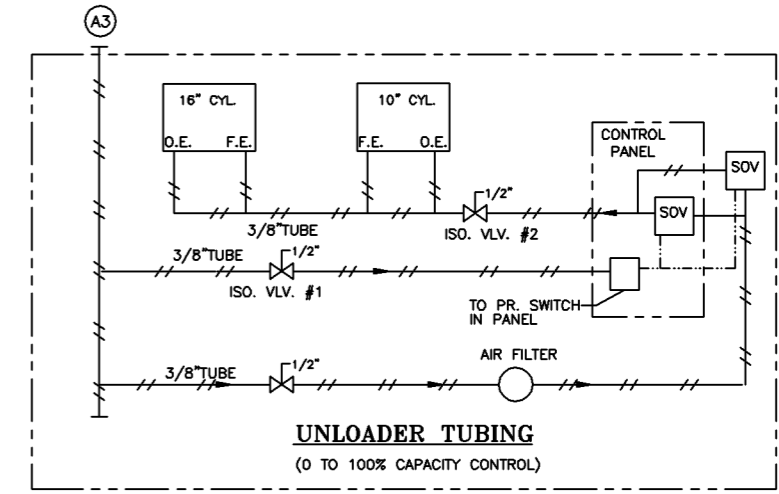
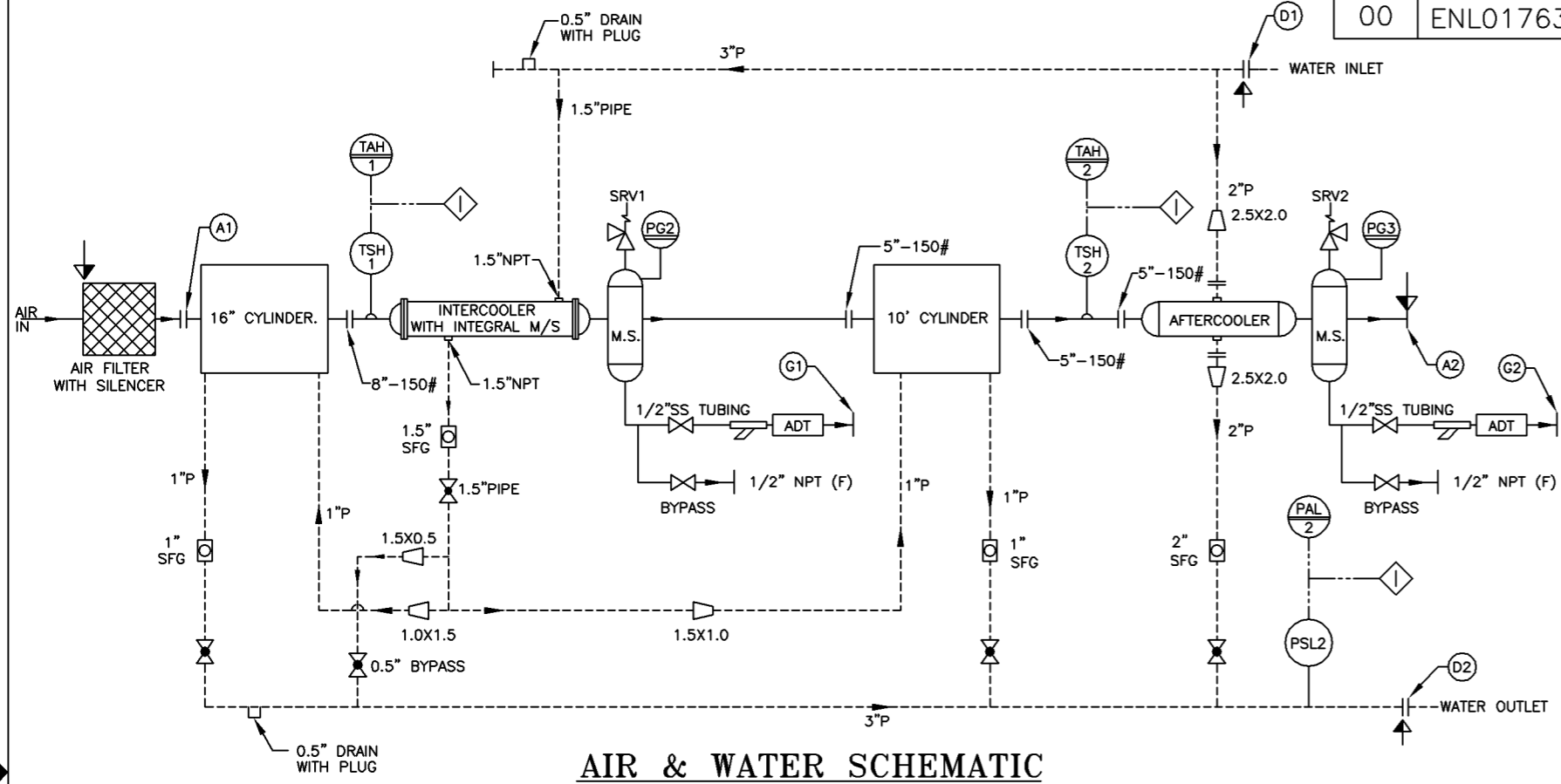
* THIS TEMPERATURE SWITCH IS INDICATIVE THE TEMPERATURE SHOULD BE SET AT 30°F (16.6°C) ABOVE NORMAL OPERATING TEMPERATURE FOR SHUT DOWN AND 20°F (11.11°C) ABOVE NORMAL OPERATING TEMPERATURE FOR ALARM.

CONFIGURATION: 16 & 10 x 7 PHE7

COPYRIGHT © 2001 INGERSOLL-RAND COMPANY ALL RIGHTS RESERVED DRAWING CONFORMS TO ASME Y14.5M - 1994		WARNING: THE EXPORT OR REEXPORT OF THIS DRAWING OR A PRODUCT PRODUCED BY THIS DRAWING IS SUBJECT TO U.S. EXPORT ADMINISTRATION REGULATIONS AND OTHER APPLICABLE GOVERNMENTAL RESTRICTIONS OR REGULATIONS.		MICROFILM BLOWBACK SCALE 0 1 in		 THIRD ANGLE PROJECTION		 INDUSTRIAL AIR SOLUTIONS, HEAVY INDUSTRIAL SYSTEMS NARODA PLANT, AHMEDABAD.							
		PROPRIETARY NOTICE THIS DOCUMENT CONTAINS CONFIDENTIAL AND TRADE SECRET INFORMATION, IS THE PROPERTY OF INGERSOLL-RAND COMPANY, AND IS GIVEN TO THE RECEIVER IN CONFIDENCE. THE RECEIVER BY RECEPTION AND RETENTION OF THE DOCUMENT ACCEPTS THE DOCUMENT IN CONFIDENCE AND AGREES THAT, EXCEPT AS AUTHORIZED IN WRITING BY INGERSOLL-RAND COMPANY, IT WILL (1) NOT USE THE DOCUMENT OR ANY COPY THEREOF OR THE CONFIDENTIAL OR TRADE SECRET INFORMATION THEREIN; (2) NOT COPY THE DOCUMENT; (3) NOT DISCLOSE TO OTHERS EITHER THE DOCUMENT OR THE CONFIDENTIAL OR TRADE SECRET INFORMATION THEREIN; AND (4) UPON COMPLETION OF THE NEED TO RETAIN THE DOCUMENT, OR UPON DEMAND, RETURN THE DOCUMENT, ALL COPIES THEREOF, AND ALL MATERIAL COPIED THEREFROM.		DRAWN JSP		DATE 25JUL06		TITLE DIAGRAM, P&I IS2 240							
				CHECKED KPN		DATE 25JUL06		SIZE B		ECN ENL01763		DWG NO. 17292145		REV 00	
				APPRVD JBR		DATE 25JUL06		CHG. NOS. SCALE NTS		FSCM 6R484		WT.		UNIT : INDStar	
										SHEET 2 OF 2					

REVISIONS

REV	ECN	DESCRIPTION	DWN	APV	DATE
00	ENL01763	ORIGINAL RELEASE	JSP	JBR	25JUL06

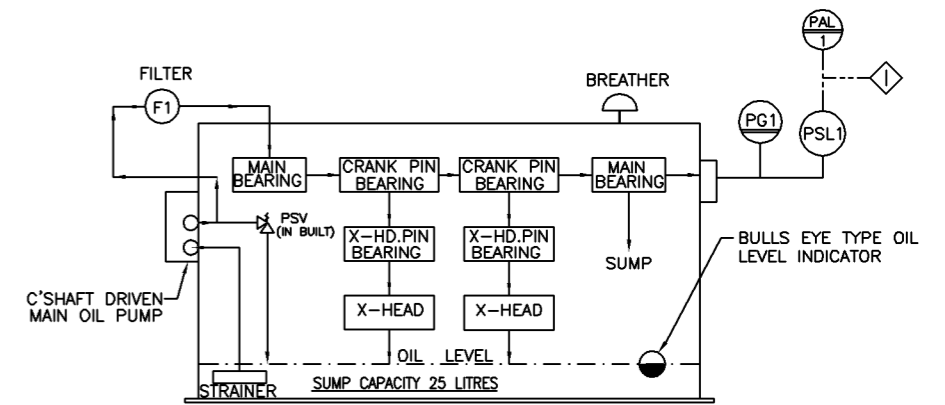


TERMINAL CONNECTIONS

MARK SYMBOL	DESCRIPTION	CONNECTION	
		FLANGE ANSI B 16.5	THREADED
A1	1st. STAGE SUCTION	8"-150#	
A2	AFTER COOLER DISCHARGE CONNECTION	5"-150#	
A3	INSTRUMENT AIR CONNECTION		0.50 NPT.(F)
D1	WATER INLET COMMON HEADER	3"-150#	
D2	WATER OUTLET COMMON HEADER	3"-150#	
G1	ADT DRAIN CONNECTION FOR I/C 1st STAGE		0.50 NPT.(F)
G2	ADT DRAIN CONNECTION FOR A/C		0.50 NPT.(F)

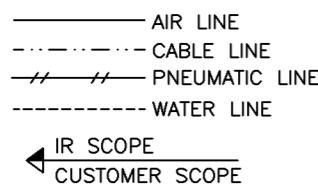
NOTES :

1. THIS DRAWING IS ONLY A SYMBOLIC REPRESENTATION AS SUGGESTED OF PIPING INSTRUMENTATION & ACCESSORIES. IT SHOULD NOT BE INTERPRETED FOR PHYSICAL POSITIONING OF THE COMPONENTS.
2. CUSTOMER TO CONNECT IT BETWEEN AIR RECEIVER AND 1/2" INSTRUMENT AIR ON PACKAGE
3. FOR PRESS. SWITCH & SOLENOID VALVE SEE PANEL DRAWING.



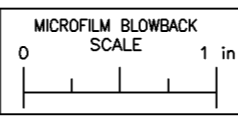
	SIGHT FLOW GLASS
	COUPLING
	BALL VALVE
	GLOBE VALVE
	GATE VALVE
	SAFETY VALVE
	FIELD MOUNTED
	TRIP INTERLOCK
	PANEL MOUNTED
	GAUGE BOARD MOUNTED

LEGENDS



COPYRIGHT © 2001
INGERSOLL-RAND COMPANY
ALL RIGHTS RESERVED
DRAWING CONFORMS TO
ASME Y14.5M - 1994

WARNING: THE EXPORT OR REEXPORT OF THIS DRAWING OR A PRODUCT PRODUCED BY THIS DRAWING IS SUBJECT TO U.S. EXPORT ADMINISTRATION REGULATIONS AND OTHER APPLICABLE GOVERNMENTAL RESTRICTIONS OR REGULATIONS.



PROPRIETARY NOTICE
THIS DOCUMENT CONTAINS CONFIDENTIAL AND TRADE SECRET INFORMATION, IS THE PROPERTY OF INGERSOLL-RAND COMPANY, AND IS GIVEN TO THE RECEIVER IN CONFIDENCE. THE RECEIVER BY RECEIPT AND RETENTION OF THE DOCUMENT ACCEPTS THE DOCUMENT IN CONFIDENCE AND AGREES THAT, EXCEPT AS AUTHORIZED IN WRITING BY INGERSOLL-RAND COMPANY, IT WILL (1) NOT USE THE DOCUMENT OR ANY COPY THEREOF OR THE CONFIDENTIAL OR TRADE SECRET INFORMATION THEREIN; (2) NOT COPY THE DOCUMENT; (3) NOT DISCLOSE TO OTHERS EITHER THE DOCUMENT OR THE CONFIDENTIAL OR TRADE SECRET INFORMATION THEREIN; AND (4) UPON COMPLETION OF THE NEED TO RETAIN THE DOCUMENT, OR UPON DEMAND, RETURN THE DOCUMENT, ALL COPIES THEREOF, AND ALL MATERIAL COPIED THEREFROM.

DRAWN	DATE
JSP	25JUL06
CHECKED	
KPN	25JUL06
APPRVD	
JBR	25JUL06
CHG. NOS.	
SCALE	NTS
FSCM	6R484

IR Ingersoll-Rand
INDUSTRIAL AIR SOLUTIONS, HEAVY INDUSTRIAL SYSTEMS
NARODA PLANT, AHMEDABAD.

TITLE
DIAGRAM, P&I IS2 240H

SIZE	ECN	DWG NO.	REV
B	ENL01763	17292269	00

WT. UNIT : INDStar SHEET 1 OF 2

REVISIONS					
REV	ECN	DESCRIPTION	DWN	APV	DATE
00	ENL01763	ORIGINAL RELEASE	JSP	JBR	25JUL06

INSTRUMENT SCHEDULE

SR. NO.	TAG NO.	DESCRIPTION	RANGE	PRO. CONN.	SETTING	LOCATION
1	PG1	PRESS. GAUGE 4" DIAL	0-6 kg/Cm ² g	.50"NPT	-	FRAME OIL PANEL MOUNTED
2	PG2	PRESS. GAUGE 4" DIAL	0-6 kg/Cm ² g	.50"NPT	-	INTERSTAGE AIR DISCH. PANEL MOUNTED
3	PG3	PRESS. GAUGE 4" DIAL	0-16 kg/Cm ² g	.50"NPT	-	FINAL AIR DISCH. PANEL MOUNTED
4	TSH1	TEMP. SWITCH HIGH	120-215°C	.75"NPT	*	1st. STAGE AIR DISCH.
5	TSH2	TEMP. SWITCH HIGH	120-215°C	.75"NPT	*	2nd. STAGE AIR DISCH.
6	PSL1	PRESS. SWITCH LOW	0-70 PSIG	.25"BSP	8 PSIG	COMPRESSOR FRAME
7	PSL2	PRESS. SWITCH LOW	0-70 PSIG	.25"BSP	25 PSIG	COOLING WATER OUTLET HEADER
8	SRV1	SAFETY VALVE	-	2.00"BSPT	45 PSIG	I/C WITH M/S
9	SRV2	SAFETY VALVE	-	1.50"NPT	140 PSIG	A/C WITH M/S

UTILITIES DATA FOR PACKAGES

A. COMPRESSOR FRAME OIL

PHYSICAL AND CHEMICAL REQUIREMENTS

FLASH POINT - 380°F (193°C) MINIMUM (OPEN CUP)
 VISCOSITY AT 100°F - 780 SSU (168.4 CENTISTOKES) MAXIMUM (37.8°C)
 VISCOSITY AT 210°F - 60 SSU (10.2 CENTISTOKES) MINIMUM (98.9°C)
 CARBON RESIDUE - 0.45 MAXIMUM (CONRADSON)
 STRONG ACID NUMBER - 0.000 MAXIMUM

EQUIVALENT GRADE : ISO VG 220

B. WATER QUANTITY

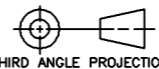

COOLING WATER REQUIREMENTS : (PER COMPRESSOR)
 FOR INTER COOLER : 140 LPM
 FOR LP. CYLINDER : 70 LPM
 FOR HP. CYLINDER : 60 LPM
 FOR AFTERCOOLER : 230 LPM
 TOTAL WATER REQUIRED : 370 LPM

C. ELECTRICAL SUPPLY (CUSTOMER SCOPE)

a. CUSTOMER TO CONNECT POWER CABLE SUITABLE FOR 240 H.P. (415V AC 3 PHASE 4 WIRE 50 Hz) MOTOR. THIS CABLES TO BE CONNECTED TO PANEL ON MAIN PACKAGE

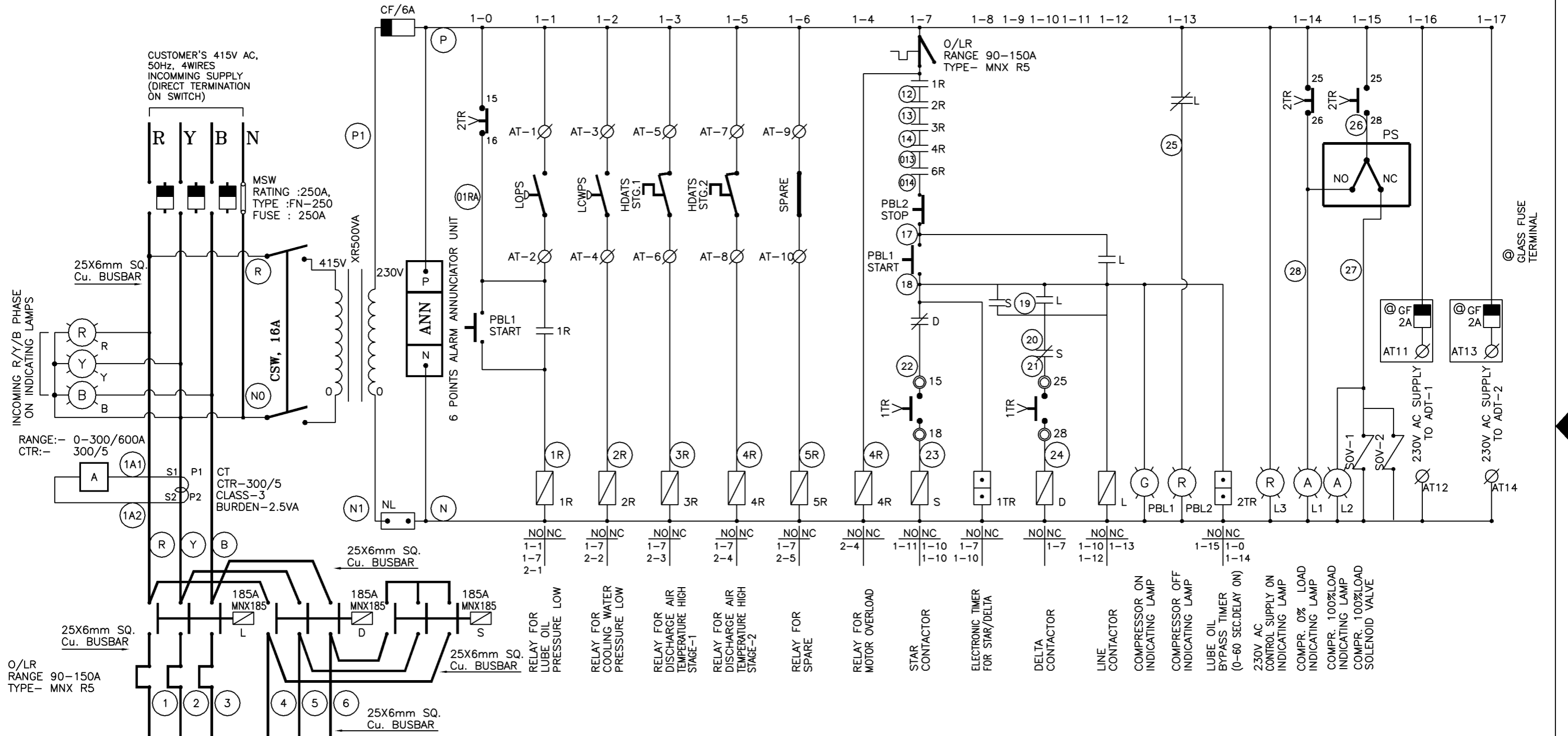
* THIS TEMPERATURE SWITCH IS INDICATIVE THE TEMPERATURE SHOULD BE SET AT 30°F (16.6°C) ABOVE NORMAL OPERATING TEMPERATURE FOR SHUT DOWN AND 20°F (11.11°C) ABOVE NORMAL OPERATING TEMPERATURE FOR ALARM.

CONFIGURATION: 16 & 10 x 7 PHE7

COPYRIGHT © 2001 INGERSOLL-RAND COMPANY ALL RIGHTS RESERVED DRAWING CONFORMS TO ASME Y14.5M - 1994	WARNING: THE EXPORT OR REEXPORT OF THIS DRAWING OR A PRODUCT PRODUCED BY THIS DRAWING IS SUBJECT TO U.S. EXPORT ADMINISTRATION REGULATIONS AND OTHER APPLICABLE GOVERNMENTAL RESTRICTIONS OR REGULATIONS.	MICROFILM BLOWBACK SCALE 0 1 in	 THIRD ANGLE PROJECTION	 INDUSTRIAL AIR SOLUTIONS, HEAVY INDUSTRIAL SYSTEMS NARODA PLANT, AHMEDABAD.			
	PROPRIETARY NOTICE THIS DOCUMENT CONTAINS CONFIDENTIAL AND TRADE SECRET INFORMATION, IS THE PROPERTY OF INGERSOLL-RAND COMPANY, AND IS GIVEN TO THE RECEIVER IN CONFIDENCE. THE RECEIVER BY RECEPTION AND RETENTION OF THE DOCUMENT ACCEPTS THE DOCUMENT IN CONFIDENCE AND AGREES THAT, EXCEPT AS AUTHORIZED IN WRITING BY INGERSOLL-RAND COMPANY, IT WILL (1) NOT USE THE DOCUMENT OR ANY COPY THEREOF OR THE CONFIDENTIAL OR TRADE SECRET INFORMATION THEREIN; (2) NOT COPY THE DOCUMENT; (3) NOT DISCLOSE TO OTHERS EITHER THE DOCUMENT OR THE CONFIDENTIAL OR TRADE SECRET INFORMATION THEREIN; AND (4) UPON COMPLETION OF THE NEED TO RETAIN THE DOCUMENT, OR UPON DEMAND, RETURN THE DOCUMENT, ALL COPIES THEREOF, AND ALL MATERIAL COPIED THEREFROM.	DRAWN JSP DATE 25JUL06	CHECKED KPN DATE 25JUL06	APPRVD JBR DATE 25JUL06	TITLE DIAGRAM, P&I IS2 240H		
		SCALE NTS	CHG. NOS. FSCM 6R484	SIZE B	ECN ENL01763	DWG NO. 17292269	REV 00
				WT.	UNIT : INDStar	SHEET 2 OF 2	

REVISIONS

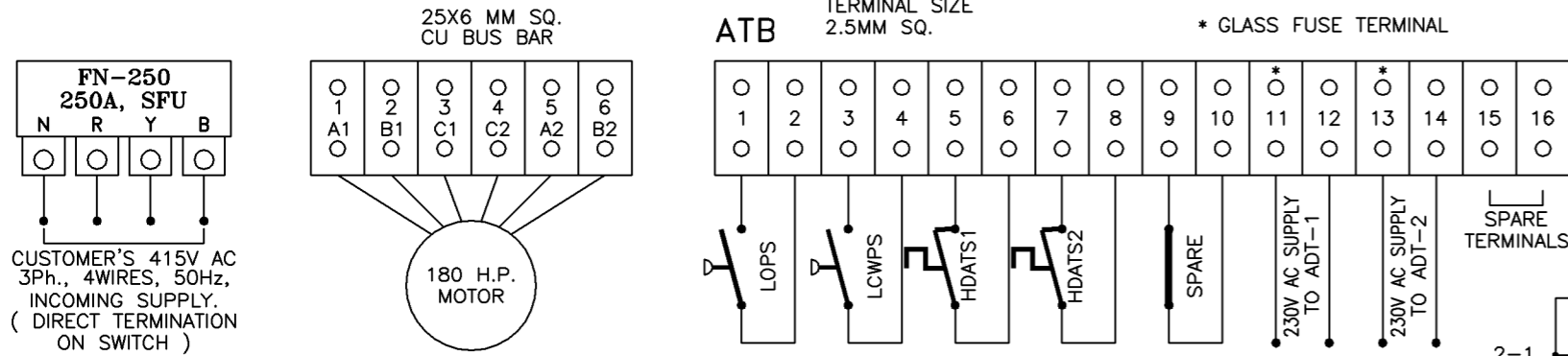
REV	ECN	DESCRIPTION	DWN	APV	DATE
00	ENL01888	ORIGINAL RELEASE	BVP	KJS	23JUL06



COPYRIGHT © 2001 INGERSOLL-RAND COMPANY ALL RIGHTS RESERVED		WARNING: THE EXPORT OR REEXPORT OF THIS DRAWING OR A PRODUCT PRODUCED BY THIS DRAWING IS SUBJECT TO U.S. EXPORT ADMINISTRATION REGULATIONS AND OTHER APPLICABLE GOVERNMENTAL RESTRICTIONS OR REGULATIONS		MICROFILM BLOWBACK SCALE 1 in		THIRD ANGLE PROJECTION	
DRAWING CONFORMS TO ASME Y14.5M - 1994		PROPRIETARY NOTICE		DRAWN DATE BVP 23JUL06		INDUSTRIAL AIR SOLUTIONS, HEAVY INDUSTRIAL SYSTEMS NARODA PLANT, AHMEDABAD.	
THIS DOCUMENT CONTAINS CONFIDENTIAL AND TRADE SECRET INFORMATION, IS THE PROPERTY OF INGERSOLL-RAND COMPANY, AND IS GIVEN TO THE RECEIVER IN CONFIDENCE. THE RECEIVER BY RECEPTION AND RETENTION OF THE DOCUMENT ACCEPTS THE DOCUMENT IN CONFIDENCE AND AGREES THAT, EXCEPT AS AUTHORIZED IN WRITING BY INGERSOLL-RAND COMPANY, IT WILL (1) NOT USE THE DOCUMENT OR ANY COPY THEREOF OR THE CONFIDENTIAL OR TRADE SECRET INFORMATION THEREIN; (2) NOT COPY THE DOCUMENT; (3) NOT DISCLOSE TO OTHERS EITHER THE DOCUMENT OR THE CONFIDENTIAL OR TRADE SECRET INFORMATION THEREIN; AND (4) UPON COMPLETION OF THE NEED TO RETAIN THE DOCUMENT, OR UPON DEMAND, RETURN THE DOCUMENT, ALL COPIES THEREOF, AND ALL MATERIAL COPIED THEREFROM.		CHECKED DATE SAT 23JUL06		APPRVD DATE KJS 23JUL06		TITLE ELECTRIC SCHEMATIC, IS2 180 & 180H	
CHG. NOS.		SCALE -		FSCM 6R484		SIZE ECN DWG. NO. REV B ENL01888 17294232 00	
WT.		UNIT INDStar		SHEET 1 OF 2		Page 64 of 70	

REVISIONS					
REV	ECN	DESCRIPTION	DWN	APV	DATE
00	ENL01888	ORIGINAL RELEASE	BVP	KJS	23JUL06

TERMINAL ARRANGEMENT

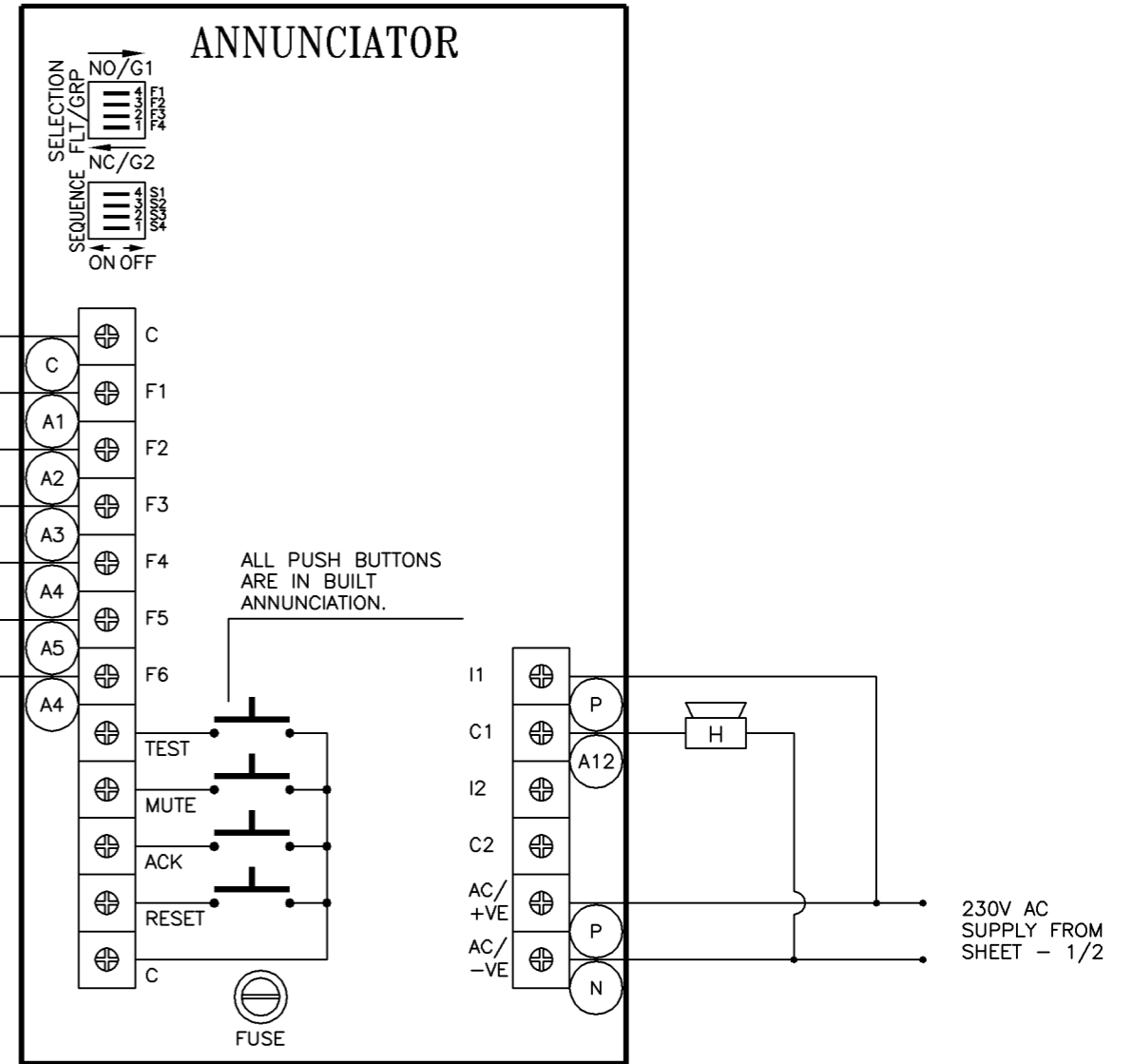


WINDOW LEGEND DESCRIPTION TABLE

WIN No.	TAG No.	SERVICE DESCRIPTION
W1	LOPS	LUBE OIL PRESSURE LOW
W2	LCWPS	COOLING WATER PRESSURE LOW
W3	HDATS1	DISCHARGE AIR TEMPERATURE HIGH STG.1
W4	HDATS2	DISCHARGE AIR TEMPERATURE HIGH STG.2
W5	MOL	MOTOR OVERLOAD
W6	SPARE	SPARE

NOTES :

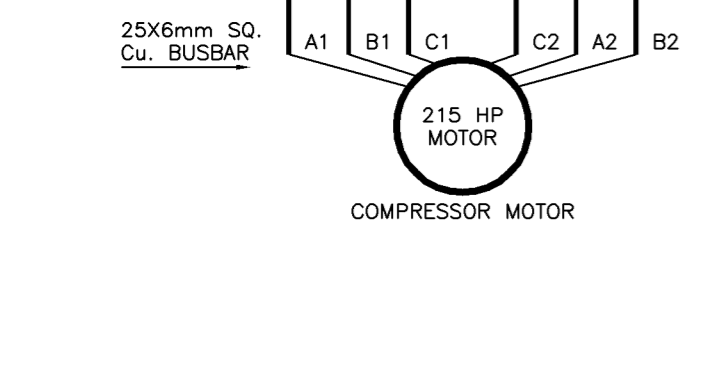
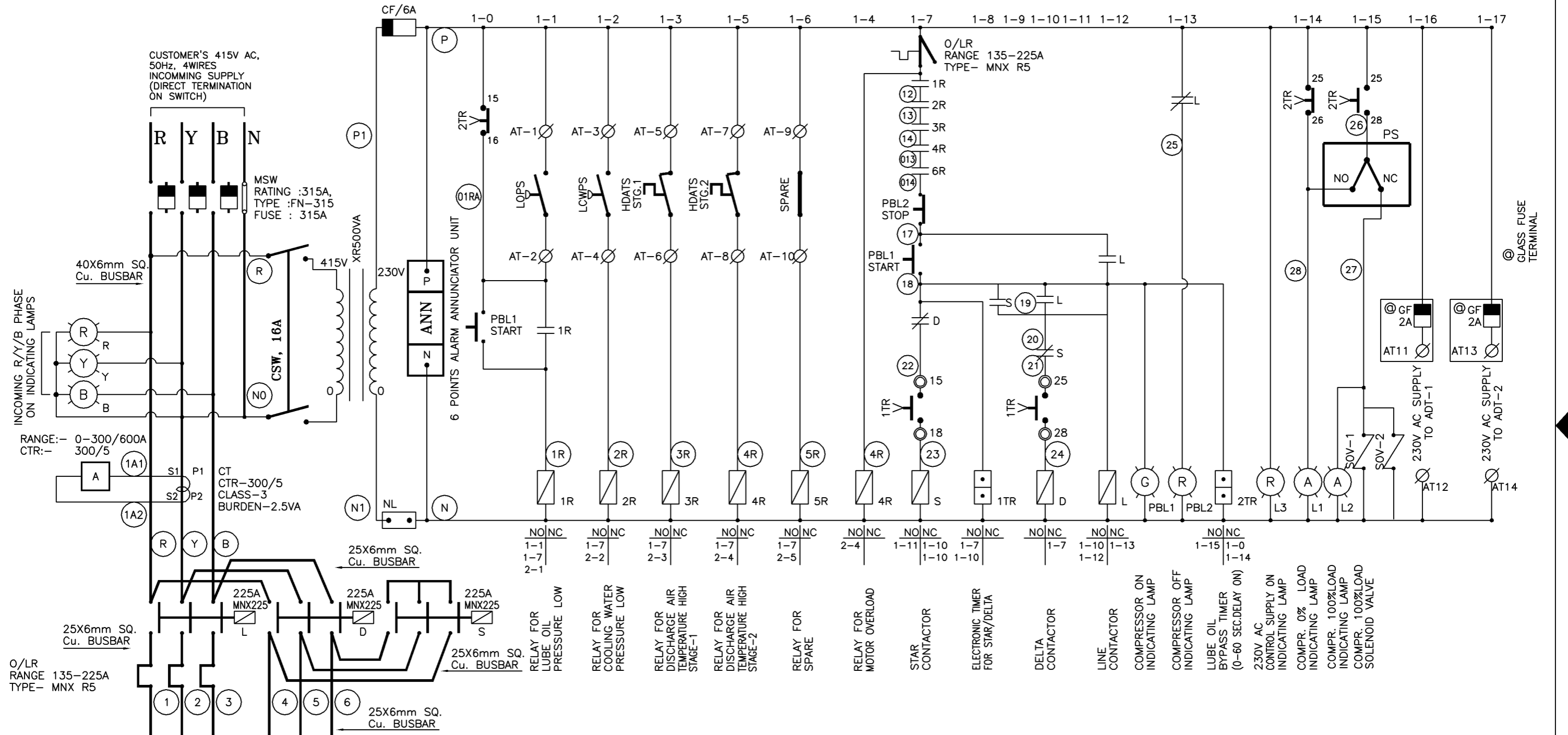
- 1). ALL CONTACT SHOWN IN DE-ENERGISED [SHELF] CONDITION.
- 2). ANNUNCIATOR WIRED TO ALERT FOR OPEN CONDITION OF FAULT CONTACT.
- 3). (A2) INDICATE WIRE [FERRULE] NUMBER.



COPYRIGHT © 2001 INGERSOLL-RAND COMPANY ALL RIGHTS RESERVED DRAWING CONFORMS TO ASME Y14.5M - 1994	WARNING: THE EXPORT OR REEXPORT OF THIS DRAWING OR A PRODUCT PRODUCED BY THIS DRAWING IS SUBJECT TO U.S. EXPORT ADMINISTRATION REGULATIONS AND OTHER APPLICABLE GOVERNMENTAL RESTRICTIONS OR REGULATIONS.	MICROFILM BLOWBACK SCALE 0 1 in	THIRD ANGLE PROJECTION	INDUSTRIAL AIR SOLUTIONS, HEAVY INDUSTRIAL SYSTEMS NARODA PLANT, AHMEDABAD.	
	PROPRIETARY NOTICE THIS DOCUMENT CONTAINS CONFIDENTIAL AND TRADE SECRET INFORMATION, IS THE PROPERTY OF INGERSOLL-RAND COMPANY, AND IS GIVEN TO THE RECEIVER IN CONFIDENCE. THE RECEIVER BY RECEPTION AND RETENTION OF THE DOCUMENT ACCEPTS THE DOCUMENT IN CONFIDENCE AND AGREES THAT, EXCEPT AS AUTHORIZED IN WRITING BY INGERSOLL-RAND COMPANY, IT WILL (1) NOT USE THE DOCUMENT OR ANY COPY THEREOF OR THE CONFIDENTIAL OR TRADE SECRET INFORMATION THEREIN; (2) NOT COPY THE DOCUMENT; (3) NOT DISCLOSE TO OTHERS EITHER THE DOCUMENT OR THE CONFIDENTIAL OR TRADE SECRET INFORMATION THEREIN; AND (4) UPON COMPLETION OF THE NEED TO RETAIN THE DOCUMENT, OR UPON DEMAND, RETURN THE DOCUMENT, ALL COPIES THEREOF, AND ALL MATERIAL COPIED THEREFROM.	DRAWN DATE BVP 23JUL06 CHECKED SAT 23JUL06 APPRVD KJS 23JUL06 CHG. NOS. SCALE - FSCM 6R484		TITLE ELECTRIC SCHEMATIC, IS2 180 & 180H SIZE ECN DWG NO. REV B ENL01888 17294232 00	WT. UNIT IND Star SHEET 2 OF 2

REVISIONS

REV	ECN	DESCRIPTION	DWN	APV	DATE
00	ENL01888	ORIGINAL RELEASE	BVP	KJS	23JUL06



COPYRIGHT © 2001
INGERSOLL-RAND COMPANY
ALL RIGHTS RESERVED

DRAWING CONFORMS TO
ASME Y14.5M - 1994

WARNING: THE EXPORT OR REEXPORT OF THIS DRAWING
OR A PRODUCT PRODUCED BY THIS DRAWING IS SUBJECT
TO U.S. EXPORT ADMINISTRATION REGULATIONS AND OTHER
APPLICABLE GOVERNMENTAL RESTRICTIONS OR REGULATIONS.

PROPRIETARY NOTICE

THIS DOCUMENT CONTAINS CONFIDENTIAL AND TRADE SECRET INFORMATION,
IS THE PROPERTY OF INGERSOLL-RAND COMPANY, AND IS GIVEN TO THE
RECEIVER IN CONFIDENCE. THE RECEIVER BY RECEPTION AND RETENTION OF
THE DOCUMENT ACCEPTS THE DOCUMENT IN CONFIDENCE AND AGREES THAT,
EXCEPT AS AUTHORIZED IN WRITING BY INGERSOLL-RAND COMPANY, IT WILL
(1) NOT USE THE DOCUMENT OR ANY COPY THEREOF OR THE CONFIDENTIAL
OR TRADE SECRET INFORMATION THEREIN; (2) NOT COPY THE DOCUMENT;
(3) NOT DISCLOSE TO OTHERS EITHER THE DOCUMENT OR THE CONFIDENTIAL
OR TRADE SECRET INFORMATION THEREIN; AND (4) UPON COMPLETION OF
THE NEED TO RETAIN THE DOCUMENT, OR UPON DEMAND, RETURN THE
DOCUMENT, ALL COPIES THEREOF, AND ALL MATERIAL COPIED THEREFROM.

MICROFILM BLOWBACK SCALE	0	1 in
THIRD ANGLE PROJECTION		
DRAWN	BVP	DATE
CHECKED	SAT	23JUL06
APPRVD	KJS	23JUL06
CHG. NOS.		
SCALE	-	
FSCM	6R484	

INDUSTRIAL AIR SOLUTIONS, HEAVY INDUSTRIAL SYSTEMS
NARODA PLANT, AHMEDABAD.

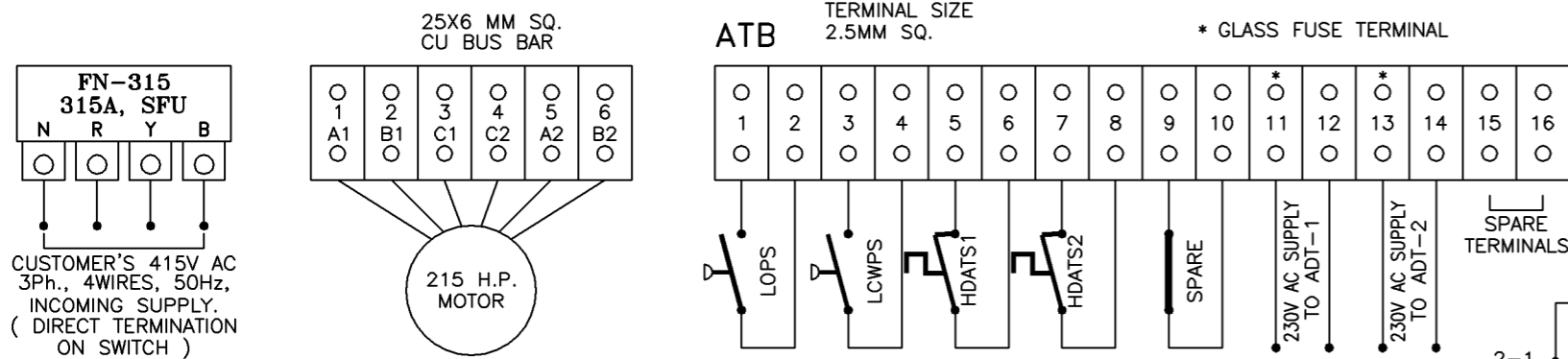
TITLE
ELECTRIC SCHEMATIC, IS2 215 & 215H

SIZE	ECN	DWG. NO.	REV
B	ENL01888	17294240	00

WT. UNIT INDStar SHEET 1 OF 2

REVISIONS					
REV	ECN	DESCRIPTION	DWN	APV	DATE
00	ENL01888	ORIGINAL RELEASE	BVP	KJS	23JUL06

TERMINAL ARRANGEMENT



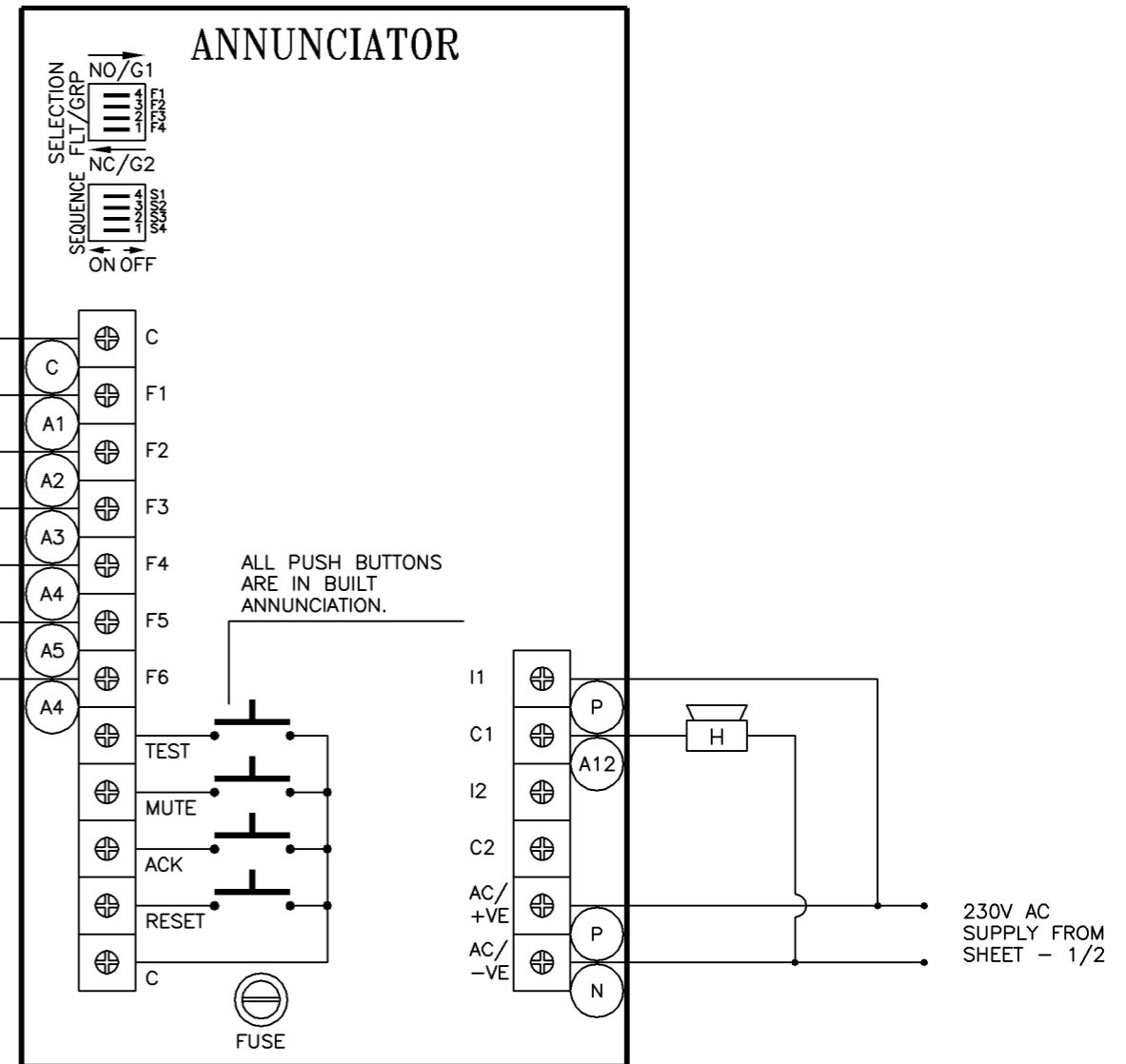
CUSTOMER'S 415V AC
3Ph., 4WIRES, 50Hz,
INCOMING SUPPLY.
(DIRECT TERMINATION
ON SWITCH)

WINDOW LEGEND DESCRIPTION TABLE

WIN No.	TAG No.	SERVICE DESCRIPTION
W1	LOPS	LUBE OIL PRESSURE LOW
W2	LCWPS	COOLING WATER PRESSURE LOW
W3	HDATS1	DISCHARGE AIR TEMPERATURE HIGH STG.1
W4	HDATS2	DISCHARGE AIR TEMPERATURE HIGH STG.2
W5	MOL	MOTOR OVERLOAD
W6	SPARE	SPARE

NOTES :

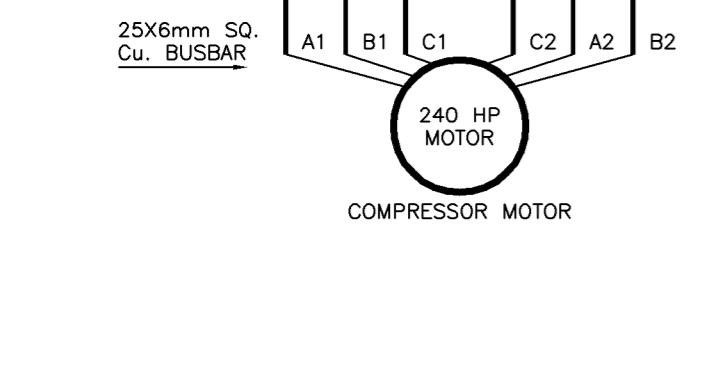
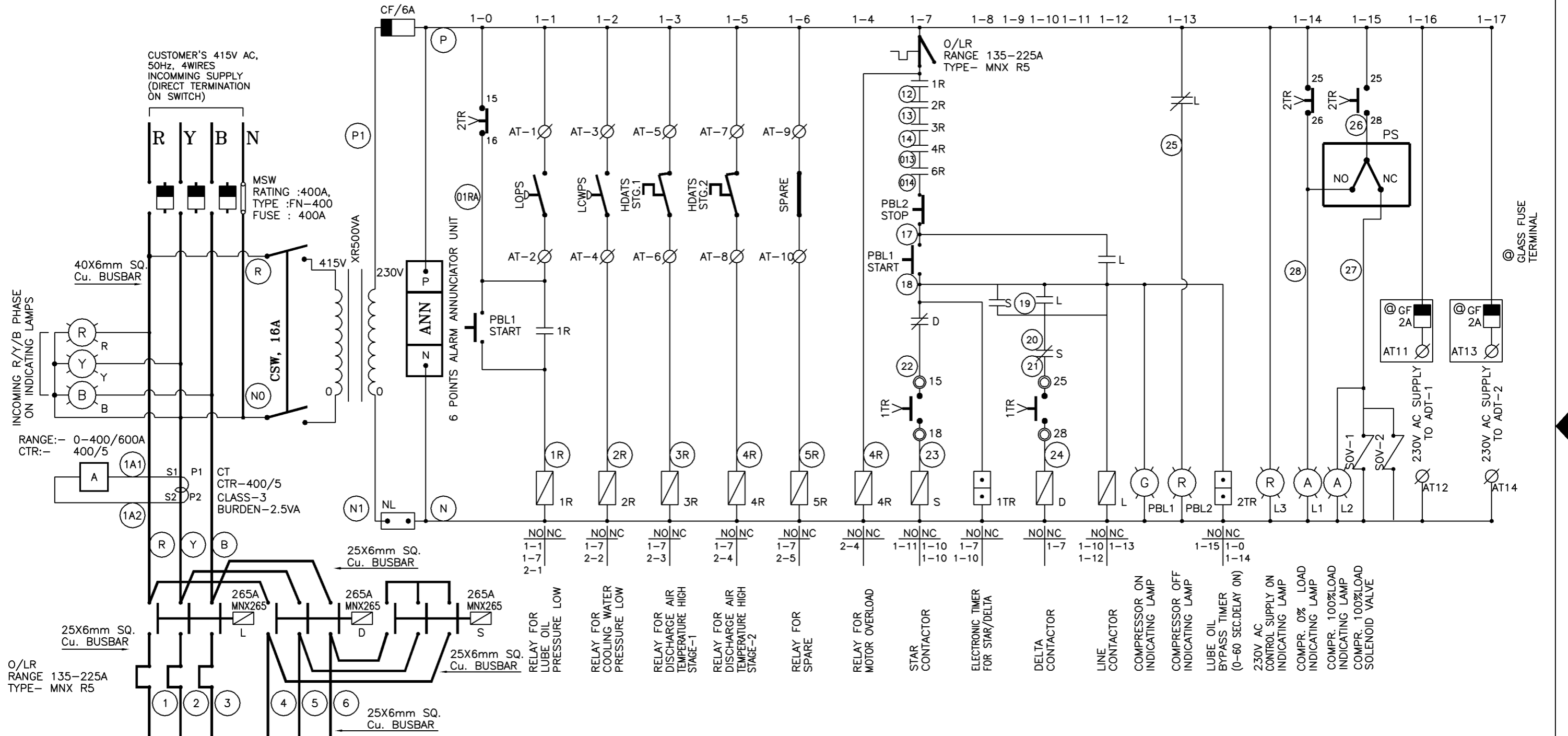
- 1). ALL CONTACT SHOWN IN DE-ENERGISED [SHELF] CONDITION.
- 2). ANNUNCIATOR WIRED TO ALERT FOR OPEN CONDITION OF FAULT CONTACT.
- 3). (A2) INDICATE WIRE [FERRULE] NUMBER.



COPYRIGHT © 2001 INGERSOLL-RAND COMPANY ALL RIGHTS RESERVED DRAWING CONFORMS TO ASME Y14.5M - 1994	WARNING: THE EXPORT OR REEXPORT OF THIS DRAWING OR A PRODUCT PRODUCED BY THIS DRAWING IS SUBJECT TO U.S. EXPORT ADMINISTRATION REGULATIONS AND OTHER APPLICABLE GOVERNMENTAL RESTRICTIONS OR REGULATIONS.	MICROFILM BLOWBACK SCALE 0 1 in	THIRD ANGLE PROJECTION	INDUSTRIAL AIR SOLUTIONS, HEAVY INDUSTRIAL SYSTEMS NARODA PLANT, AHMEDABAD.		
	PROPRIETARY NOTICE THIS DOCUMENT CONTAINS CONFIDENTIAL AND TRADE SECRET INFORMATION, IS THE PROPERTY OF INGERSOLL-RAND COMPANY, AND IS GIVEN TO THE RECEIVER IN CONFIDENCE. THE RECEIVER BY RECEPTION AND RETENTION OF THE DOCUMENT ACCEPTS THE DOCUMENT IN CONFIDENCE AND AGREES THAT, EXCEPT AS AUTHORIZED IN WRITING BY INGERSOLL-RAND COMPANY, IT WILL (1) NOT USE THE DOCUMENT OR ANY COPY THEREOF OR THE CONFIDENTIAL OR TRADE SECRET INFORMATION THEREIN; (2) NOT COPY THE DOCUMENT; (3) NOT DISCLOSE TO OTHERS EITHER THE DOCUMENT OR THE CONFIDENTIAL OR TRADE SECRET INFORMATION THEREIN; AND (4) UPON COMPLETION OF THE NEED TO RETAIN THE DOCUMENT, OR UPON DEMAND, RETURN THE DOCUMENT, ALL COPIES THEREOF, AND ALL MATERIAL COPIED THEREFROM.	DRAWN DATE BVP 23JUL06 CHECKED SAT 23JUL06 APPRVD KJS 23JUL06 CHG. NOS. SCALE - FSCM 6R484		TITLE ELECTRIC SCHEMATIC, IS2 215 & 215H		
		SIZE B	ECN ENL01888	DWG NO. 17294240	REV 00	SHEET 2 OF 2

REVISIONS

REV	ECN	DESCRIPTION	DWN	APV	DATE
00	ENL01888	ORIGINAL RELEASE	BVP	KJS	23JUL06



COPYRIGHT © 2001
INGERSOLL-RAND COMPANY
ALL RIGHTS RESERVED

DRAWING CONFORMS TO
ASME Y14.5M - 1994

WARNING: THE EXPORT OR REEXPORT OF THIS DRAWING OR A PRODUCT PRODUCED BY THIS DRAWING IS SUBJECT TO U.S. EXPORT ADMINISTRATION REGULATIONS AND OTHER APPLICABLE GOVERNMENTAL RESTRICTIONS OR REGULATIONS.

PROPRIETARY NOTICE

THIS DOCUMENT CONTAINS CONFIDENTIAL AND TRADE SECRET INFORMATION, IS THE PROPERTY OF INGERSOLL-RAND COMPANY, AND IS GIVEN TO THE RECEIVER IN CONFIDENCE. THE RECEIVER BY RECEPTION AND RETENTION OF THE DOCUMENT ACCEPTS THE DOCUMENT IN CONFIDENCE AND AGREES THAT, EXCEPT AS AUTHORIZED IN WRITING BY INGERSOLL-RAND COMPANY, IT WILL (1) NOT USE THE DOCUMENT OR ANY COPY THEREOF OR THE CONFIDENTIAL OR TRADE SECRET INFORMATION THEREIN; (2) NOT COPY THE DOCUMENT; (3) NOT DISCLOSE TO OTHERS EITHER THE DOCUMENT OR THE CONFIDENTIAL OR TRADE SECRET INFORMATION THEREIN; AND (4) UPON COMPLETION OF THE NEED TO RETAIN THE DOCUMENT, OR UPON DEMAND, RETURN THE DOCUMENT, ALL COPIES THEREOF, AND ALL MATERIAL COPIED THEREFROM.

MICROFILM BLOWBACK SCALE
0 1 in

THIRD ANGLE PROJECTION

DRAWN	DATE
BVP	23JUL06
CHECKED	
SAT	23JUL06
APPRVD	
KJS	23JUL06
CHG. NOS.	
SCALE	
FSCM 6R484	

INDUSTRIAL AIR SOLUTIONS, HEAVY INDUSTRIAL SYSTEMS
NARODA PLANT, AHMEDABAD.

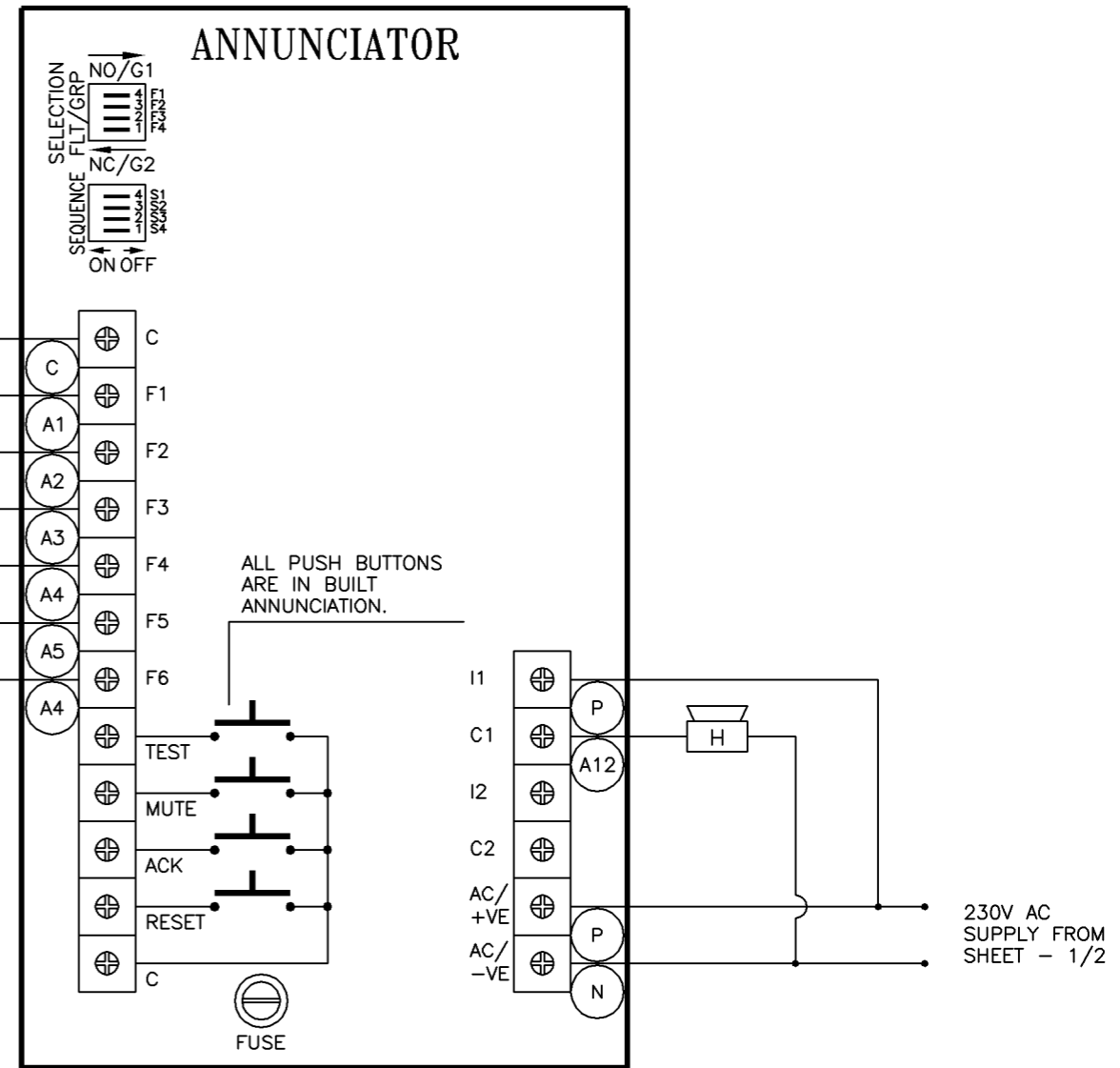
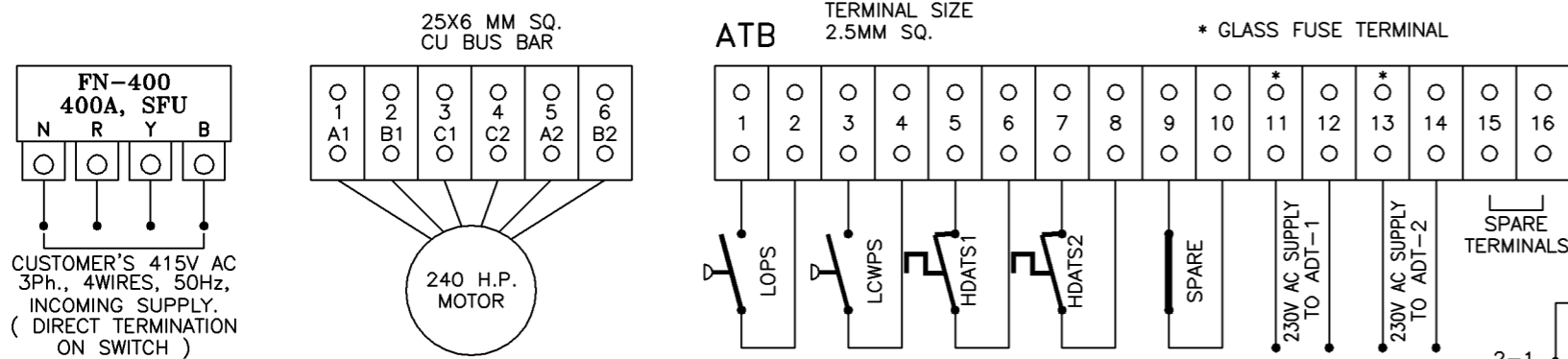
TITLE
ELECTRIC SCHEMATIC, IS2 240 & 240H

SIZE	ECN	DWG. NO.	REV
B	ENL01888	17294257	00

WT. UNIT INDStar SHEET 1 OF 2

REVISIONS					
REV	ECN	DESCRIPTION	DWN	APV	DATE
00	ENL01888	ORIGINAL RELEASE	BVP	KJS	23JUL06

TERMINAL ARRANGEMENT



WINDOW LEGEND DESCRIPTION TABLE

WIN No.	TAG No.	SERVICE DESCRIPTION
W1	LOPS	LUBE OIL PRESSURE LOW
W2	LCWPS	COOLING WATER PRESSURE LOW
W3	HDATS1	DISCHARGE AIR TEMPERATURE HIGH STG.1
W4	HDATS2	DISCHARGE AIR TEMPERATURE HIGH STG.2
W5	MOL	MOTOR OVERLOAD
W6	SPARE	SPARE

NOTES :

- 1). ALL CONTACT SHOWN IN DE-ENERGISED [SHELF] CONDITION.
- 2). ANNUNCIATOR WIRED TO ALERT FOR OPEN CONDITION OF FAULT CONTACT.
- 3). (A2) INDICATE WIRE [FERRULE] NUMBER.

COPYRIGHT © 2001 INGERSOLL-RAND COMPANY ALL RIGHTS RESERVED	WARNING: THE EXPORT OR REEXPORT OF THIS DRAWING OR A PRODUCT PRODUCED BY THIS DRAWING IS SUBJECT TO U.S. EXPORT ADMINISTRATION REGULATIONS AND OTHER APPLICABLE GOVERNMENTAL RESTRICTIONS OR REGULATIONS.	MICROFILM BLOWBACK SCALE 0 1 in	THIRD ANGLE PROJECTION		INDUSTRIAL AIR SOLUTIONS, HEAVY INDUSTRIAL SYSTEMS NARODA PLANT, AHMEDABAD.		
			DRAWN BVP DATE 23JUL06	CHECKED SAT DATE 23JUL06		TITLE ELECTRIC SCHEMATIC, IS2 240 & 240H	
DRAWING CONFORMS TO ASME Y14.5M - 1994	PROPRIETARY NOTICE THIS DOCUMENT CONTAINS CONFIDENTIAL AND TRADE SECRET INFORMATION, IS THE PROPERTY OF INGERSOLL-RAND COMPANY, AND IS GIVEN TO THE RECEIVER IN CONFIDENCE. THE RECEIVER BY RECEPTION AND RETENTION OF THE DOCUMENT ACCEPTS THE DOCUMENT IN CONFIDENCE AND AGREES THAT, EXCEPT AS AUTHORIZED IN WRITING BY INGERSOLL-RAND COMPANY, IT WILL (1) NOT USE THE DOCUMENT OR ANY COPY THEREOF OR THE CONFIDENTIAL OR TRADE SECRET INFORMATION THEREIN; (2) NOT COPY THE DOCUMENT; (3) NOT DISCLOSE TO OTHERS EITHER THE DOCUMENT OR THE CONFIDENTIAL OR TRADE SECRET INFORMATION THEREIN; AND (4) UPON COMPLETION OF THE NEED TO RETAIN THE DOCUMENT, OR UPON DEMAND, RETURN THE DOCUMENT, ALL COPIES THEREOF, AND ALL MATERIAL COPIED THEREFROM.	APPRVD KJS DATE 23JUL06	CHG. NOS. SCALE FSCM 6R484	SIZE B	ECN ENL01888	DWG NO. 17294257	REV 00
		WT.		UNIT IND Star		SHEET 2 OF 2	

More Than Air. Solutions.

Online Solutions: www.air.irco.com



ISO 9001 and ISO 14001 Certified

Ingersoll-Rand compressors are not designed, intended or approved for breathing air applications. Ingersoll-Rand does not approve specialized equipment for breathing air applications and assumes no responsibility or liability for compressors used for breathing air service.

Nothing contained on these pages is intended to extend any warranty or representation, expressed or implied, regarding the product described herein. Any such warranties or other terms and conditions of sale of products shall be in accordance with Ingersoll-Rand's standard terms and conditions of sale for such products, which are available upon request.

Product improvement is a continuing goal at Ingersoll-Rand. Designs and specifications are subject to change without notice or obligation.

Ingersoll-Rand (India) Ltd

21-30, GIDC Estate, Naroda, Ahmedabad – 382 330, India

Phone : (079) 22820123, 22820323

Fax : (079) 2282 1003, 2282 1256, 2282 0568

E-mail : airsolutionsindia@irco.com



Branch Offices : Ahmedabad • Bangalore • Chennai • Indore
Jamshedpur • Kolkata • Mumbai • New Delhi • Nagpur • Pune
Secunderabad